

WISE DIR

Central control unit - Director



QUICK FACTS

- WISE DIR is a central control unit with integrated radio transmitter, which wirelessly collects data, processes and sends data back to a group of climate and ventilation products to control and regulate the indoor climate.
- Connected with a network cable to the operating network.

Technical description

Design

WISE DIR is a central control unit with integrated radio transmitter, which wirelessly collects data, processes and sends data back to a group of climate and ventilation products to control and regulate the indoor climate. Each system needs at least one WISE DIR to work. WISE DIR communicates with SuperWISE via an Ethernet cable.

For more about WISE see the system guide WISE.

Materials and surface treatment

The enclosure is made of die cast aluminium and sheet steel. The colour of WISE DIR is grey RAL7037.

Installation

Install the product so that it will be easy to access if it becomes necessary to replace it.

Install the product so that it is not accessible by unauthorized persons, for example above a suspended ceiling.

Mounted centrally in the group of products it shall control/communicate with, see figure 3. Antenna should be directed vertically for the best radio communication.

Commissioning

Use TuneWISE for commissioning. Commissioning must be performed by qualified and trained WISE service engineers.

Maintenance

If necessary, use a dry cloth when cleaning. Never use water, detergent, cleaning solvent or a vacuum cleaner.

Environment

The Building Materials Declaration is available from www.swegon.com.

Technical data

Power supply:	24V AC ±10% 50-60 Hz
Max. power consumption:	5 VA
Cable rating, connector:	Power: screw terminal max. 2.5mm ²
Ethernet:	2 x 10/100 Mbps
USB:	Type A
Frequency band:	2.45 GHz IMS band (2400--2483 MHz)
Output (ERP):	50 mW
IP class:	IP20
Ambient temperature	
Operation:	0 – + 55°C
Storage:	-40 – +80°C
RH:	10 – 95% non-condensing

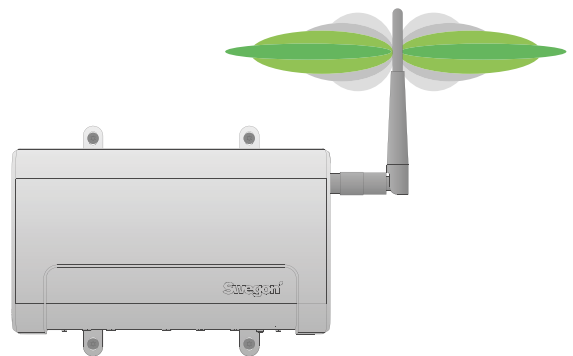


Figure 2. WISE DIR, distribution of radio signals (distributed 360° around the antenna).

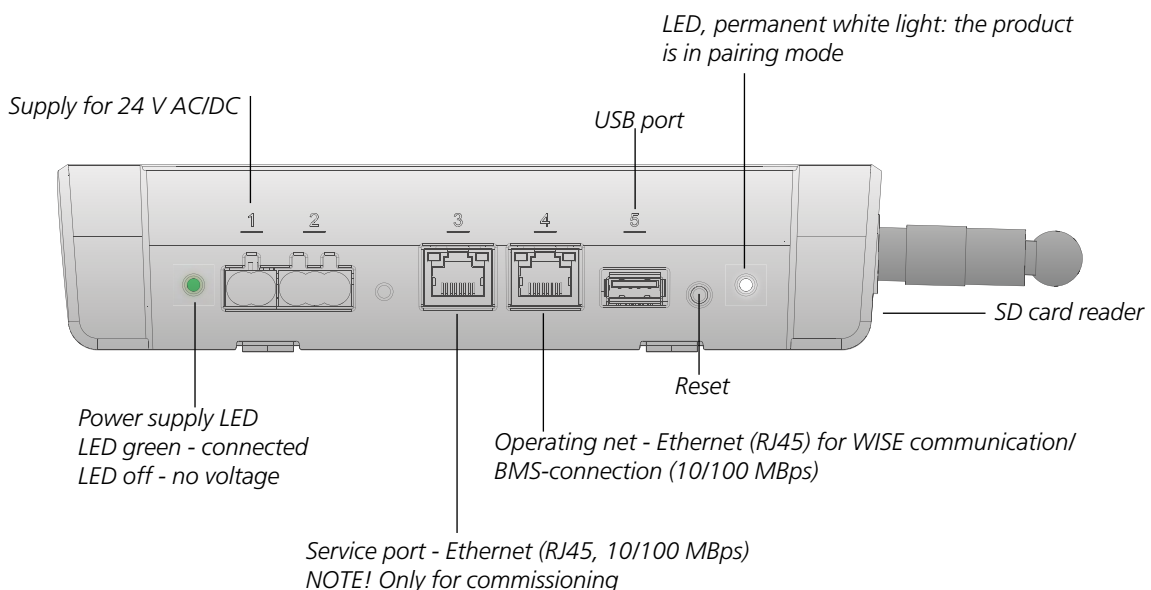


Figure 1. Electrical connections.

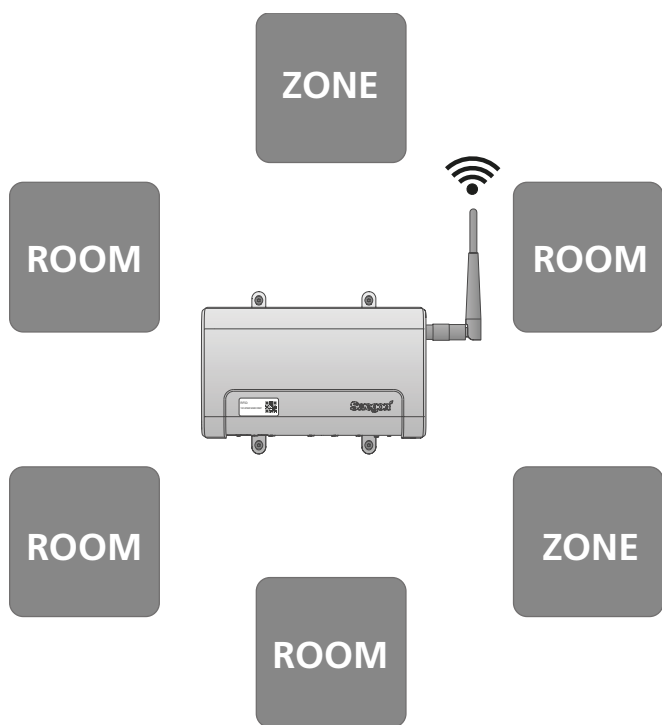


Figure 3. WISE DIR is mounted centrally in the group of products it shall control.

Ordering key

Product

Central control unit

WISE DIR a

Version:

Specification text

Example of a specification text according to VVS AMA.

SGE Communication unit

Swegon's communication unit of the type WISE DIR with the following functions:

- Central control unit with integrated radio transmitter/receiver, which wirelessly collects data, processes and sends data back to a group of climate and ventilation products in the Swegon WISE radio network.
- The unit is connected with a network cable to the WISE-data network for communication to Swegon SuperWISE.

Type: WISE DIR a

xx items

Dimensions and weights

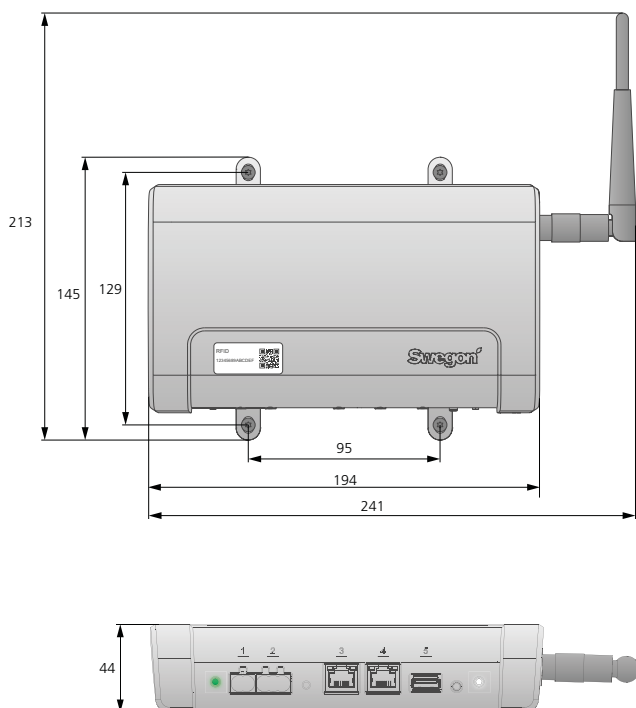


Figure 4. Dimensions, WISE DIR.

Weight (kg)
0.87