

# PARAGON Wall VAV

Installation - Commissioning - Maintenance

17/01/2023  
Art. 942428075

## Contents

<b>Application area.....</b>	<b>2</b>
General.....	2
Contents.....	2
Protective equipment.....	2
Electrical safety.....	2
Handling.....	2
Installation.....	2
Cleaning.....	2
Cleaning of electrical components .....	2
Service/maintenance .....	2
Environment and waste disposal .....	2
Disposal of the product.....	2
Product warranty.....	2
<b>Dimensions and weights.....</b>	<b>3</b>
<b>Installation .....</b>	<b>4</b>
Size of the opening.....	4
Suspension .....	5
Connection - Water .....	7
Connecting water.....	7
Water quality.....	8
Connection - Air.....	9
Grille installation.....	9
Supply and extract air kit .....	10
<b>Connections control equipment .....</b>	<b>11</b>
Room controller, LOCUS.....	13
Sensor module.....	14
<b>Maintenance.....</b>	<b>15</b>

## Symbols

Warning/Caution!



See also the following documents at [www.swegon.com](http://www.swegon.com):

- PARAGON Wall VAV Product datasheet
- VAV Modbus
- Comfort modules, operation and maintenance (IOM)
- LOCUS Product datasheet
- LOCUS Instructions for Use (IOM)

# Application area

The product is a comfort module designed for demand-controlled climate indoors.

The product is used to ventilate, cool and heat premises exactly as needed.

The product may not be used for anything other than its intended use.



## General

Read through the entire instructions for use before you install/use the product and save the instructions for future reference. It is not permissible to make changes or modify this product other than those specified in this document.

## Contents

1 x PARAGON Wall VAV

1 x Instructions for use



## Protective equipment

Always use appropriate personal protective equipment for the work in question, in the form of gloves, respirators, protective glasses and helmets during handling, installation, cleaning and service/maintenance.



## Electrical safety

Permitted voltage, see Electrical data.

It is not permissible to insert foreign objects into the product's contactor connections or ventilation openings; risk for short circuiting.

24 V isolation transformer to be connected should comply with the provisions of IEC 61558-1.

Cable sizing must be carried out for cabling between the product and the power supply source.

Disconnect the power supply when working on products that are not required to run.

Always follow the local/national rules for who shall be permitted to carry out this type of electrical installation.

## Handling

Always use appropriate transport and lifting devices when the product is to be handled to reduce ergonomic loads.

The product must be handled with care.

## Installation

- Moist, cold and aggressive environments must be avoided.
- Assemble the product according to this instruction and applicable industry regulations.
- Install the product for easy access during service/maintenance.
- Avoid installing the product near a heat source.
- Check to make sure that the product does not have any visible defects.
- Check that the product is properly secured after it has been installed.
- Secure cables with cable ties.
- Check that all cables are properly secured in place after installation.

## Cleaning

Ideally the product should be cleaned twice a year by vacuuming the coil to remove loose dust. In fibre dense environments a more frequent interval is recommended.

A simple visual inspection of connections is recommended when cleaning.

For cleaning grilles and other painted surfaces: Avoid aggressive cleaning agents which may harm painted surfaces. Normally a mild soap or alcohol solution is fully adequate for cleaning. See also the maintenance section in this instructions for use.

## Cleaning of electrical components

- If needed, use a dry cloth to clean the components.
- Never use water, detergent and cleaning solvent or a vacuum cleaner.

## Service/maintenance

- In connection with a service, mandatory ventilation inspection or cleaning of the ventilation system, check that the general condition of the products looks ok. Pay particular attention to the suspension, cables and that they sit firmly in place.
- It is not permissible to open or repair electrical components.
- If you suspect that the product or a component is defective, please contact Swegon.
- A defective product or component must be replaced by an original spare part from Swegon.

## Environment and waste disposal

Help to protect the environment by ensuring correct disposal of the packaging and use the products in accordance with applicable environmental regulations.

## Disposal of the product

The product must not be disposed of as ordinary household refuse. They must be collected in separate containers according to applicable local rules.

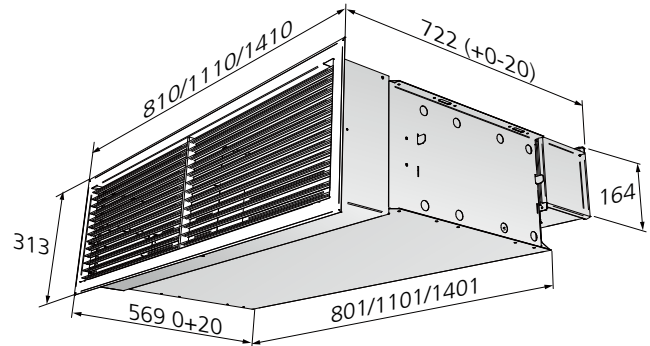
## Product warranty

The product warranty or service agreement will not be in effect/will not be extended if: (1) The product is repaired, modified or changed, unless such repair, modification or change has been approved by Swegon AB; or (2) the serial number on the product has been made illegible or is missing.

# Dimensions and weight

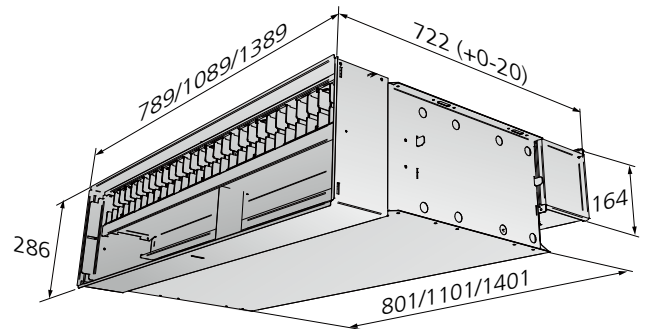
## PARAGON Wall VAV 800

Length	Type	Dim.	Dry weight* (kg)		Water volume (l)	
			Without grille	incl. grille	cooling	heating
800 R	A	125	17.4	19.6	1.39	
800 L	A	125	17.4	19.6	1.38	
800 R	B	125	17.4	19.6	1.39	0.38
800 L	B	125	17.4	19.6	1.38	0.37
800 R	X	125	17.4	19.6	1.39	
800 L	X	125	17.4	19.6	1.38	



## PARAGON Wall VAV 1100

Length	Type	Dim.	Dry weight* (kg)		Water volume (l)	
			Without grille	incl. grille	cooling	heating
1100 R	A	125	22.6	25.5	1.93	
1100 L	A	125	22.6	25.5	1.92	
1100 R	B	125	22.6	25.5	1.93	0.52
1100 L	B	125	22.6	25.5	1.92	0.51
1100 R	X	125	22.6	25.5	1.93	
1100 L	X	125	22.6	25.5	1.92	



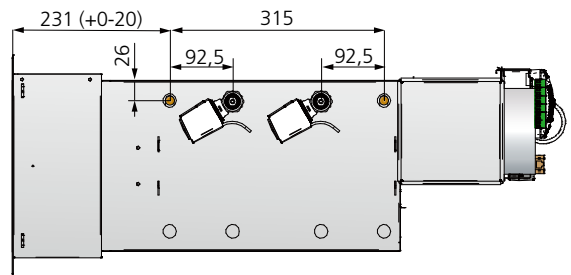
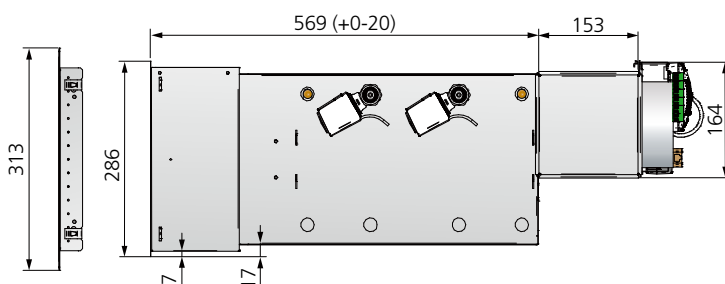
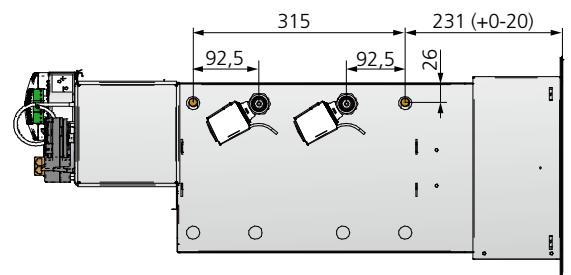
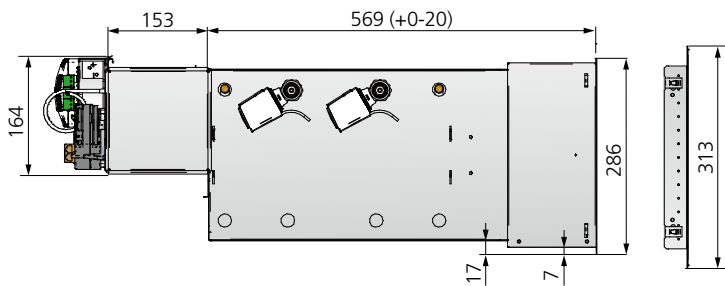
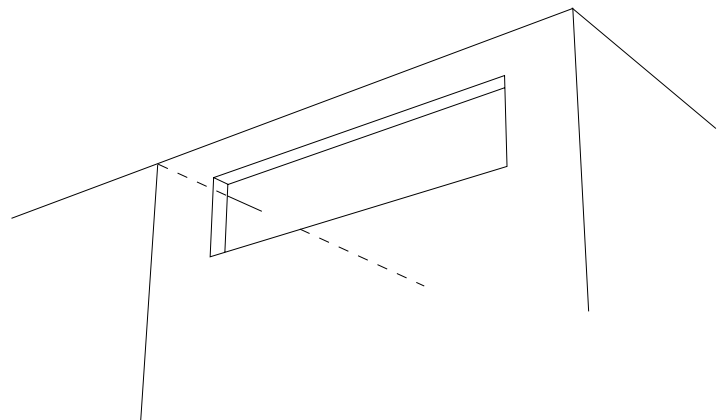
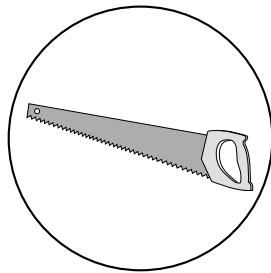
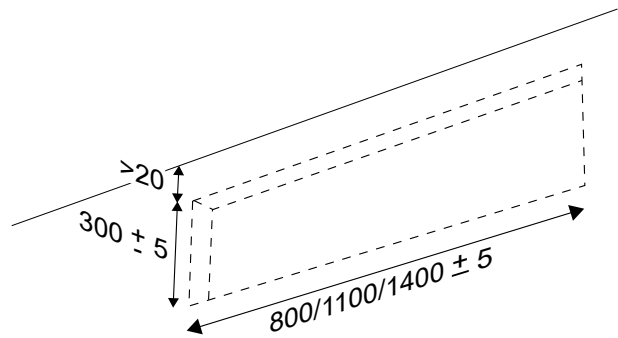
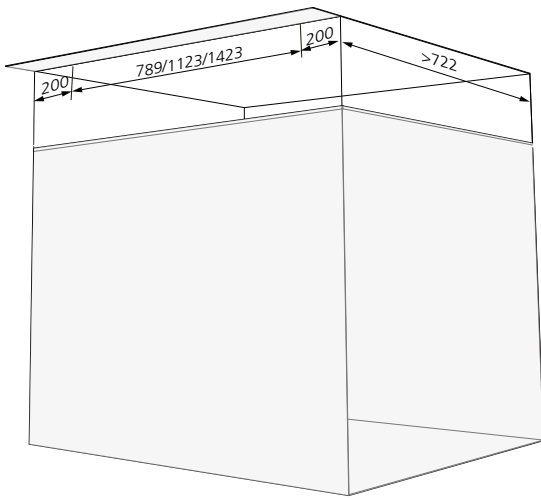
## PARAGON Wall VAV 1400

Length	Type	Dim.	Dry weight* (kg)		Water volume (l)	
			Without grille	Incl. grille	cooling	heating
1400 R	A	125	27.6	31.2	2.47	
1400 L	A	125	27.6	31.2	2.46	
1400 R	B	125	27.6	31.2	2.47	0.65
1400 L	B	125	27.6	31.2	2.46	0.64
1400 R	X	125	27.6	31.2	2.47	
1400 L	X	125	27.6	31.2	2.46	

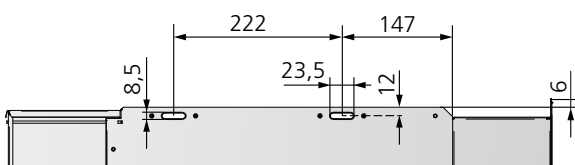
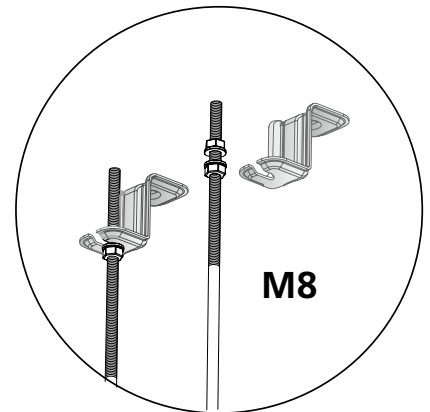
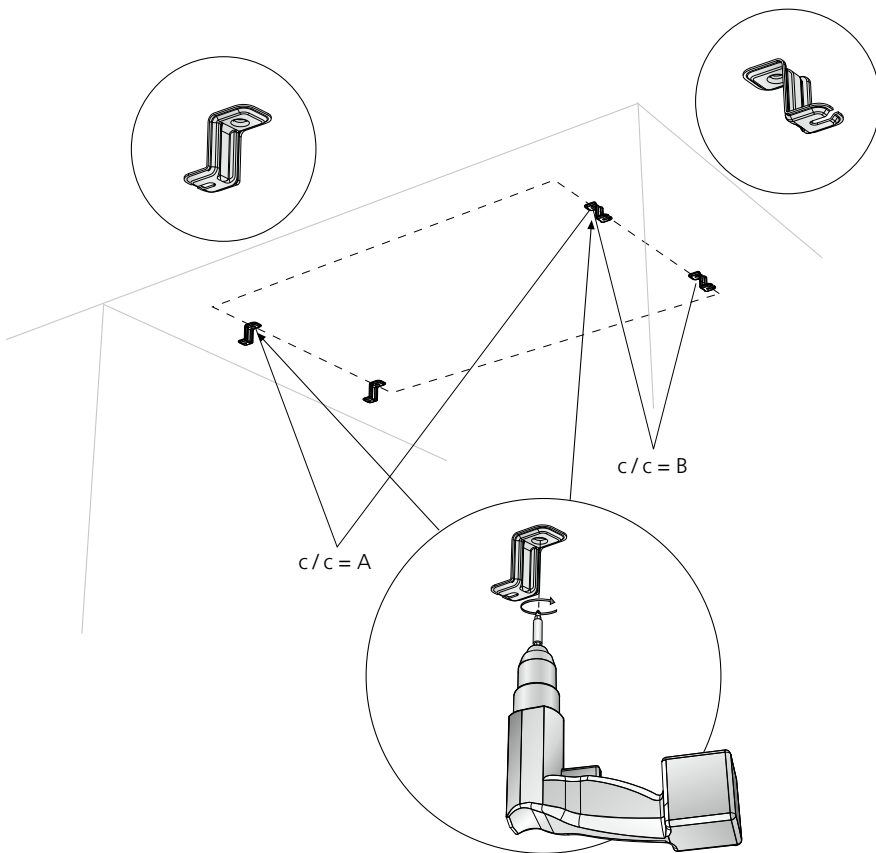
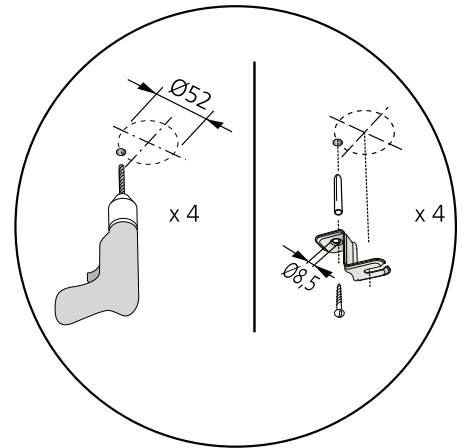
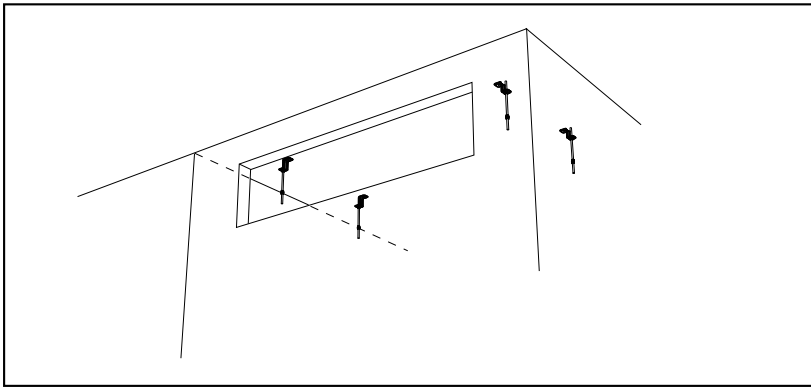
\*Added weight for control equipment: 0.84 kg

# Mounting

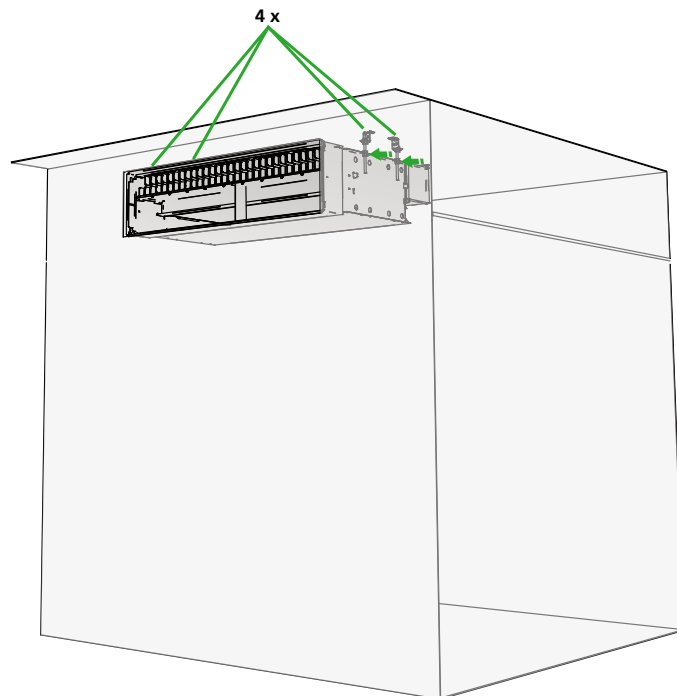
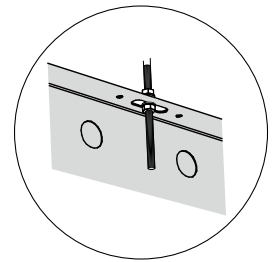
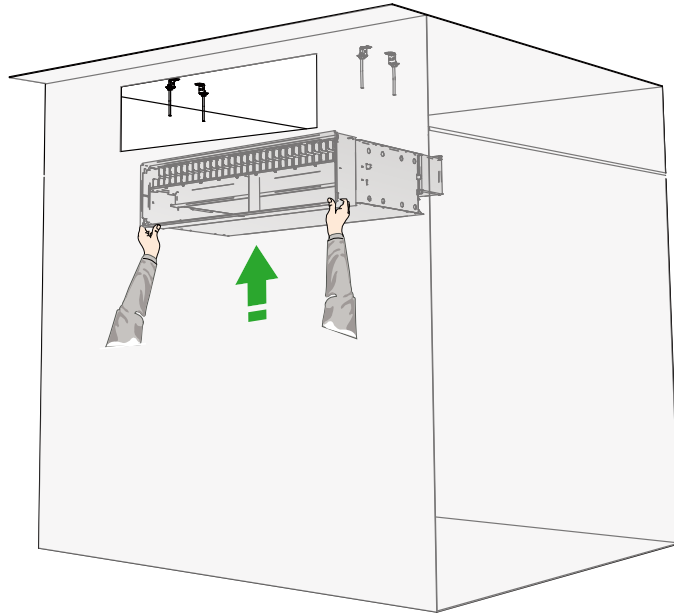
## Size of the opening



## Suspension



L (mm)	A (mm)	B (mm)
800	778	222
1100	1078	222
1400	1378	222



## Connection - Water

### Connection sizes

Standard variant with factory-fitted valves:

Length (mm)	Cooling Return	Heating Return
800, 1100, 1400	DN15 male thread	DN15 male thread

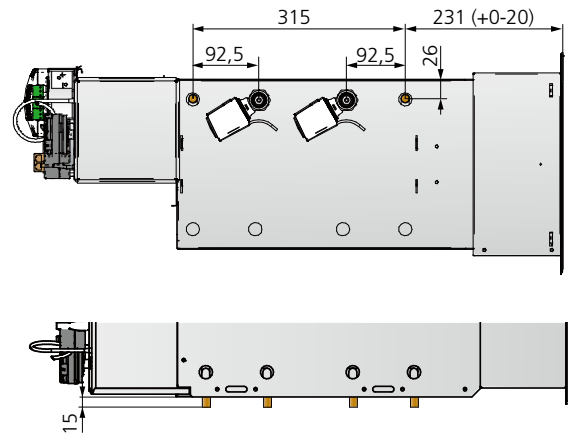
Standard variant without factory fitted valves:

Length (mm)	Cooling Supply and return	Heating Supply and return
800, 1100, 1400	plain pipe ends	plain pipe ends
	(Cu) Ø 12 x 1.0 mm	(Cu) Ø 12 x 1.0 mm

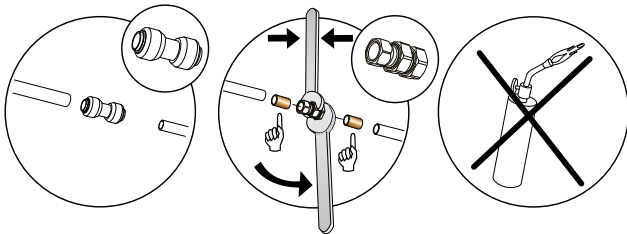
## Connecting water

Connect the water pipes using push-on couplings or compression ring couplings.

Note that compression ring couplings require support sleeves inside the pipes. Do not use solder couplings to connect the water pipes. High temperatures can damage the unit's existing soldered joints.

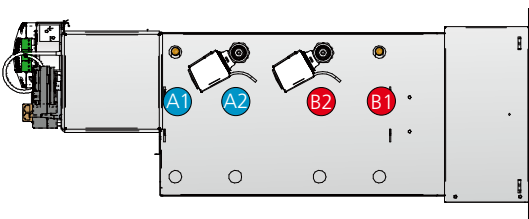


Note that compression ring couplings require support sleeves inside the pipes.



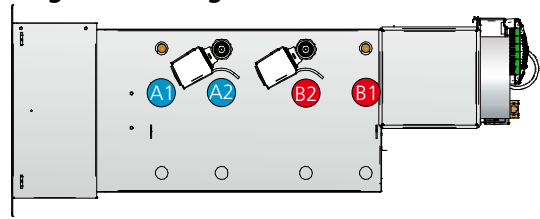
### Water connection on the right-hand side "R"

Cooling and heating R, all sizes

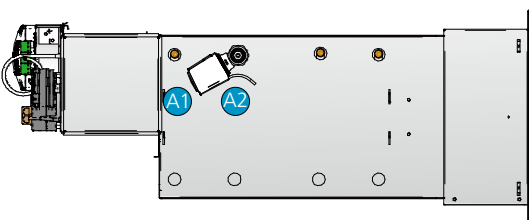


### Water connection on the left-hand side "L"

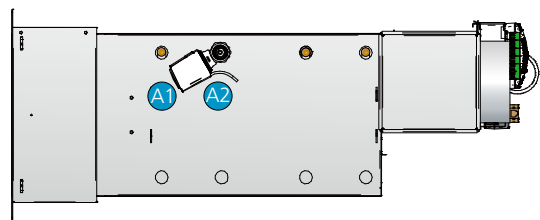
Cooling and heating L, all sizes



### Cooling R, all sizes



### Cooling L, all sizes



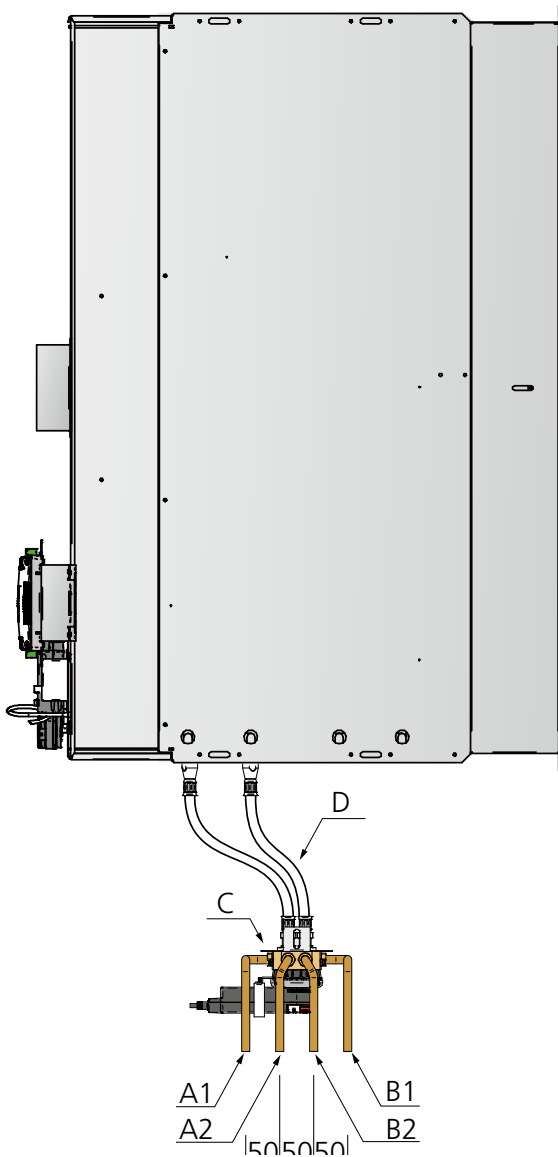
Water connection on right-hand side (R).

- A1 = Cooling water, supply
- A2 = Cooling water, return
- B1 = Heating water, supply
- B2 = Heating water, return

Water connection on left-hand side (L).

- A1 = Cooling water, supply
- A2 = Cooling water, return
- B1 = Heating water, supply
- B2 = Heating water, return

Connection of CCO valve



Water connection, CCO valve.  
A1 = Cooling water, supply  
A2 = Cooling water, return  
B1 = Heating water, supply  
B2 = Heating water, return  
C = CCO valve  
D = Flexible hose

Water quality

Swegon recommends water quality according to VDI 2035-2 for both the heating and cooling systems. In order to maintain the oxygen content in the water below the levels (<0.1 mg/l) prescribed in VDI 2035-2, it is recommended to install a vacuum degasser, particularly in the cooling system where it's more challenging to dissolved gas. It is also important that the pre-pressure in the expansion vessel is dimensioned according to EN-12828 for both the heating and cooling systems and that regular checks are made of the pre-pressure. The cooling and heating systems must be designed to prevent oxygen from entering the system, this is particularly important to consider when selecting flex hose, pipes and expansion vessels.

When the system is filled with fresh water, it has an oxygen content of approximately 8 mg/l, however, this oxygen is consumed quickly through corrosion processes and within a few days the oxygen in the water should be consumed. Nevertheless, it is important to avoid filling the system with fresh water unnecessarily.

Automatic deaerators are often installed to facilitate filling of the system. It is recommended that the automatic deaerators are turned off once the system has been fully vented to avoid these drawing in air in the system if the pre-pressure in the expansion vessel should drop.

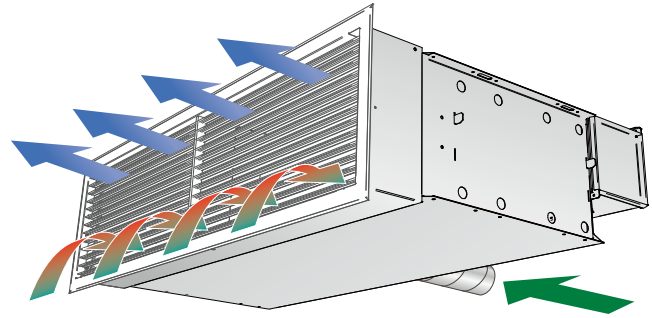
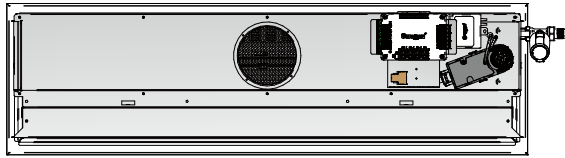


## Connection - Air

All sizes have the air connection  $\varnothing 125$ .

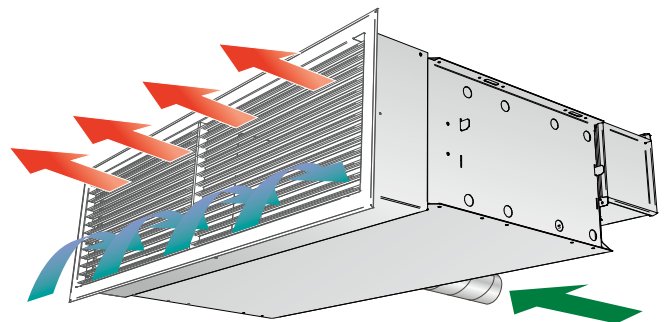
The air connection is centred at the rear of the product for easy access from both ends and the rear.

Back view

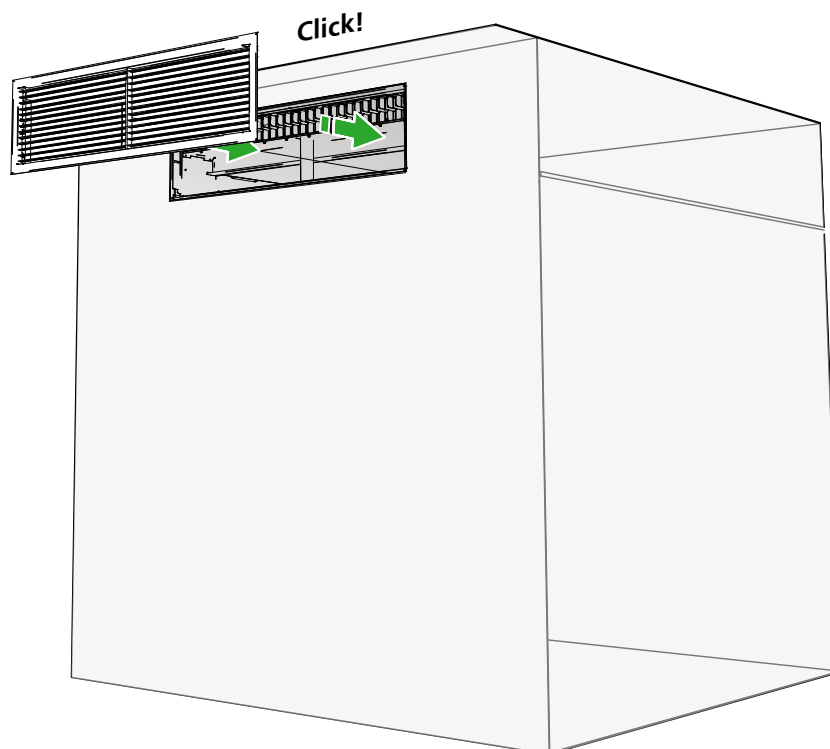


## Connection dimensions, air

Length (mm)	Air connection (mm)
800, 1100, 1400	$\varnothing 125$

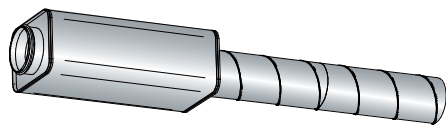


## Grille installation

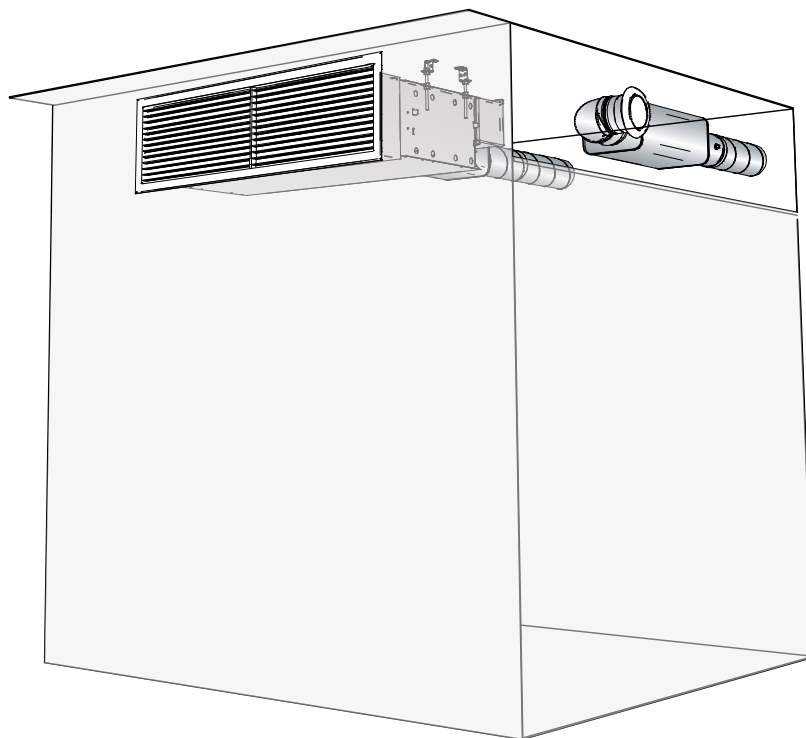
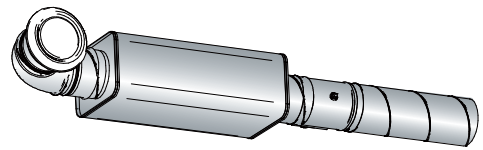


## Supply and extract air kit

Supply air

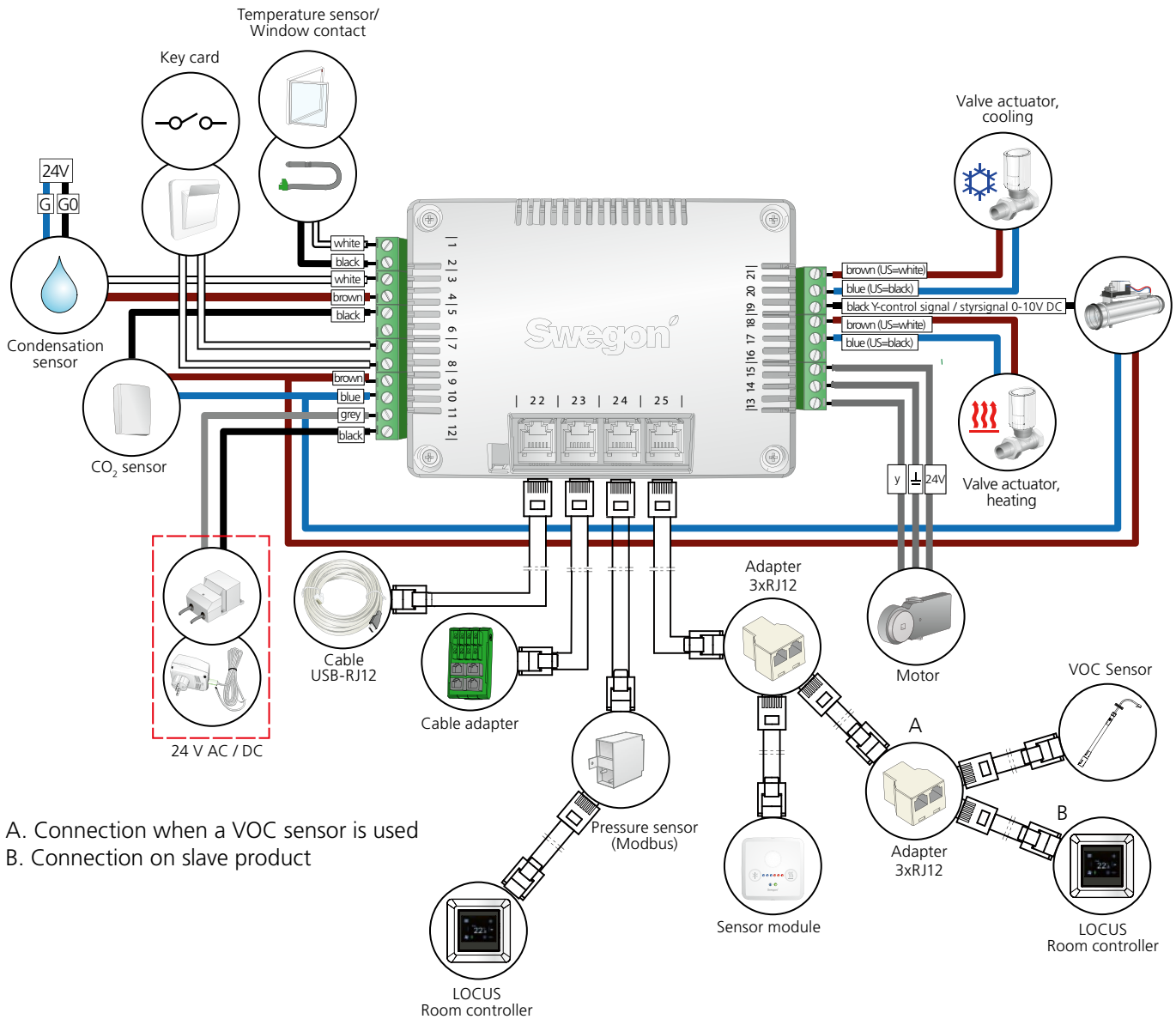


Extract air

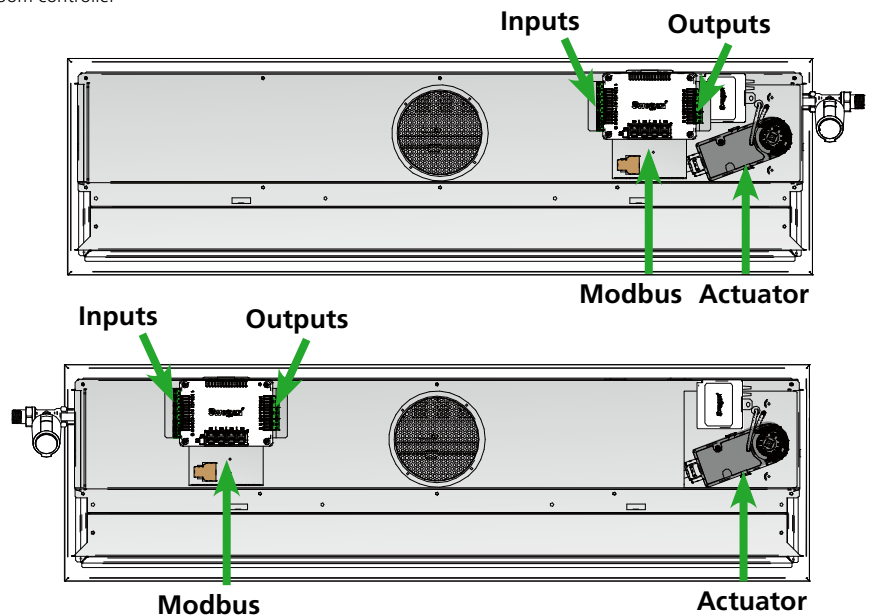
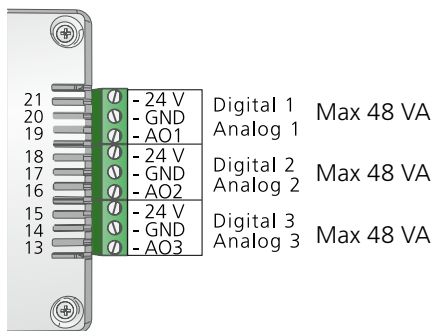


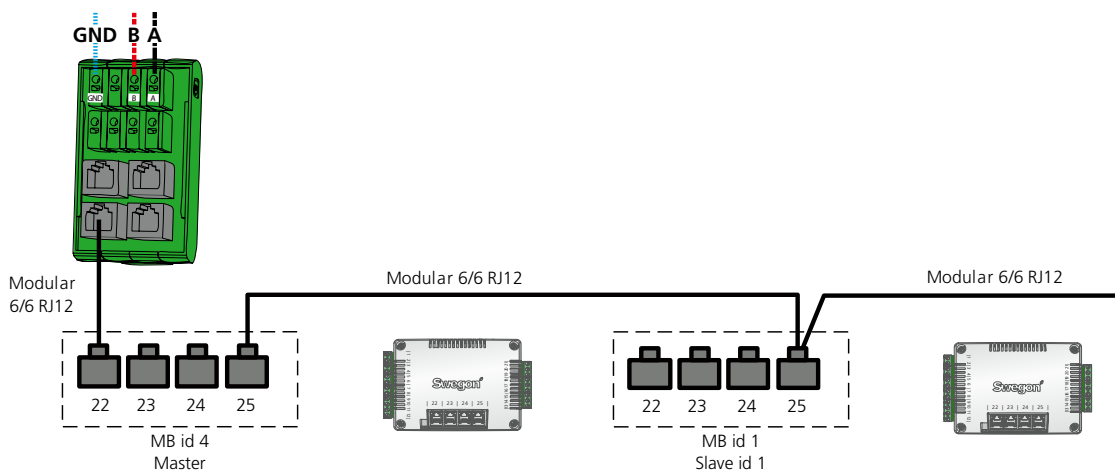
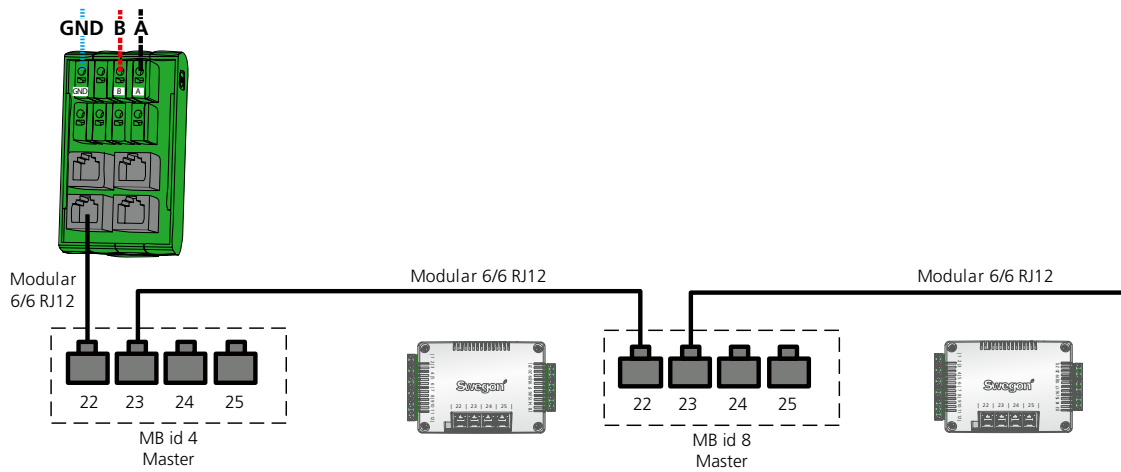
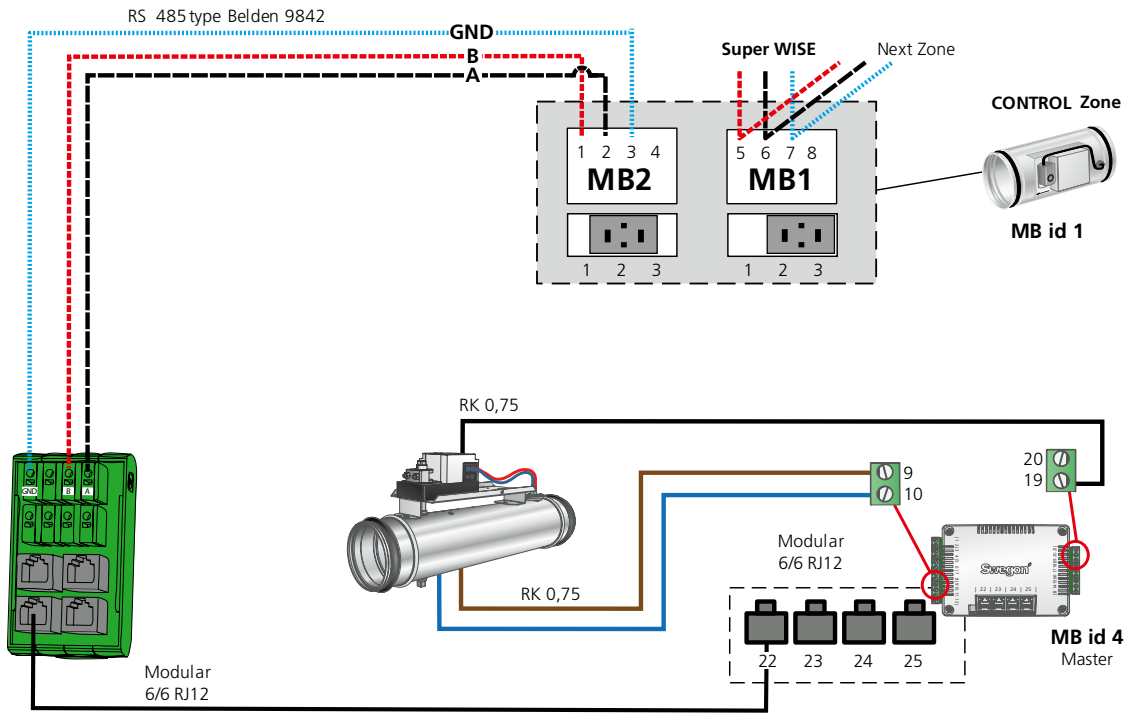
# Connections control equipment

## Wiring diagram for controller (URC1) with accessories



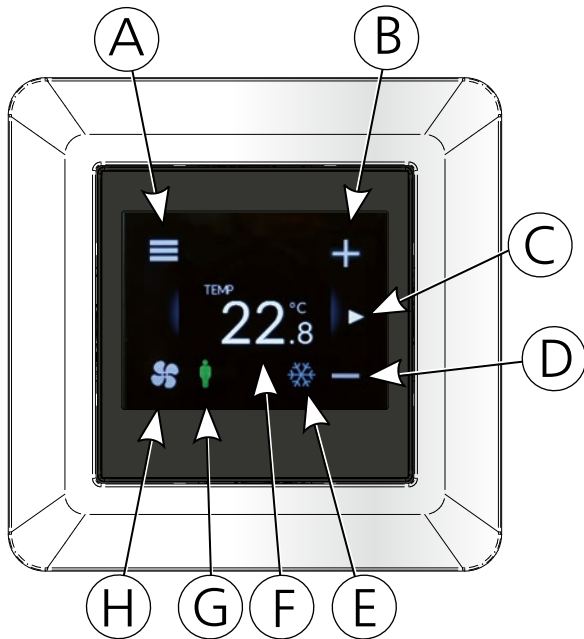
### Controller outputs





## Room controller, LOCUS

Main menu and explanation of symbols



- A. menu
- B. increase
- C. swipe left to go to the next page
- D. decrease
- E. symbol showing ongoing cooling or heating
- F. shows programmed setpoint or measured temperature
- G. shows occupancy in the room
- H. press to activate boost flow

### Technical data

Display	Capacitive touch TFT Display QVGA 2.3"
Screen resolution	320x240
Communication	Modbus RTU via RS-485
Temperature sensor	Internal 10K NTC sensor
Operating temperature	+5 ... +40°C
Degree of protection	IP20
Dimensions	88 x 88 x 35 mm
Operating voltage	12-40 VDC
Current requirement	0.5 W

### Connection

LOCUS	Connection	Description
VDD	RJ12	12-40 VDC power supply
A+	RJ12	RS-485 bus connection
B-	RJ12	RS-485 bus connection
GND	RJ12	Earth for 12-40 VDC power supply
Memory card slot		The user panel's software can be updated via a Micro SD card

### Standards and directives

The following standards have been observed:

EC Directive:	93/68/EEC
Low Voltage Directive:	2014/35/EU
Machinery Directive:	2006/42/EEC
EMC Directive:	2014/30/EU
RoHS Directive:	2002/95/EC
Vibrations:	EN-60721-3-3

### Description of display

If the screen is in standby mode, it is activated again by clicking.

Display	Description	Explanation
	Display in standby mode	Activated with a click
	Active main menu	Increase/decrease the setpoint temperature by clicking on the + or - signs
	Activated boost mode	
	Swipe left for next page	Shows values from connected sensors
	Swipe right to go back to the main menu	

For more detailed information about LOCUS room controller. See documentation at [www.swegon.com](http://www.swegon.com)

- LOCUS Product datasheet
- LOCUS Instructions for Use (IOM)

## Sensor module

Menu sensor module:

Press and hold the left and right-hand buttons for five seconds to access the menu.

Use the left-hand button ( \* ) to steps through the menus. Use the right-hand button ( S ) to confirm your selection.

Press the left-hand button and select:

1. Alarm list
2. Commissioning air
3. Commissioning water
6. Return to menu



Confirm selections by pressing the right-hand button

**1. Alarm list:** See the complete alarm list to the right. In the commissioning menus:

- Navigate between the menus by pressing the left-hand button
- Confirm selections by pressing the right-hand button
- When a selection has been confirmed, the blue LED will flash for about 60 seconds.
- In order to return to normal operation, select "no adjustment"

**2. Commissioning, air:**

2.1. Min. airflow, no occupants ○ ● ○ ○ ○ ● ○

2.2. Min. airflow, occupancy ● ○ ○ ○ ○ ● ○

**2.3. Max. air flow, occupancy** ● ● ● ● ● ● ○

2.4. Min. airflow, holiday/longer period of no occupancy ○ ○ ● ● ○ ○ ○

2.5. No adjustment ○ ○ ○ ○ ○ ○ ○

**3. Commissioning, water:**

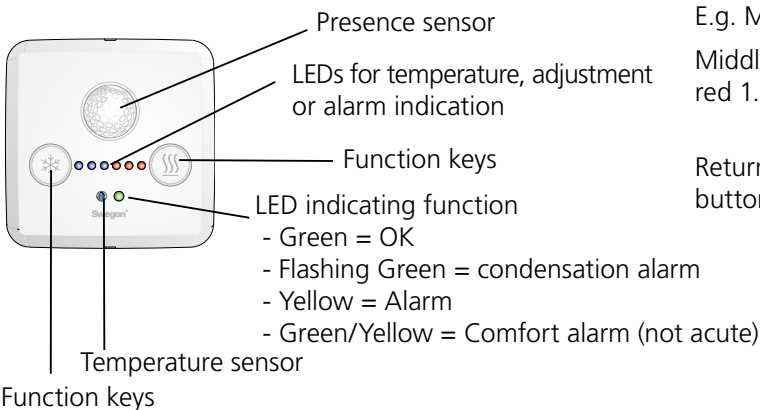
3.1. Open the chilled water valve ● ● ● ● ○ ○ ○

3.2. Open heated water valve ○ ○ ○ ● ● ● ○

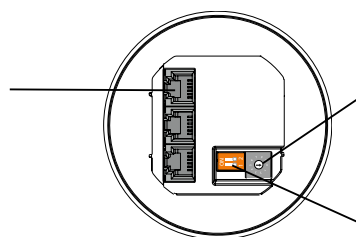
3.3. No adjustment ○ ○ ○ ○ ○ ○ ○

4, 5 are not used

**6. Return to menu**



3 parallel RJ12 ports (Modbus) for connections e.g. controller, additional sensor module or PC with the help of Cable converter USB-RJ12



## Alarm list for the sensor module

Alarm no.	Type of alarm
Alarm 1	Supply voltage low
Alarm 2	Supply voltage critical low
Alarm 3	Ext temp missing
Alarm 4	Ext temp error
Alarm 5	Condensation sensor error
Alarm 6	SM temp sensor error
Alarm 7	SM button error
Alarm 8	CO <sub>2</sub> sensor missing
Alarm 9	VOC Error
Alarm 10	Low pressure
Alarm 17	SM comm error
Alarm 18	Slave comm error
Alarm 19	Pressure sensor comm error
Alarm 20	VOC sensor comm error
Alarm 21	No master request (slave)
Alarm 22	Slave incompatible version
Alarm 25	Heating comfort alarm
Alarm 26	Cooling comfort alarm
Alarm 27	Temp. Set point overlap alarm
Alarm 28	Air quality comfort alarm
Alarm 29	Condensation
Alarm 33	24 V Out 1 overload error
Alarm 34	24 V Out 2 overload error
Alarm 35	24 V Out 3 overload error
Alarm 41	Slave input sum alarm
Alarm 42	Slave output sum alarm

32	16	8	4	2	1
					●
				●	
				●	●
			●		
			●		●
			●	●	
			●	●	●
	●				
	●			●	
	●				●
	●			●	●
	●		●		
	●		●		●
	●		●	●	
	●		●	●	●
	●		●		●
●					●
●				●	
●				●	●
●		●			●
●		●		●	

The alarm is shown with a number of LEDs when you select Alarm list (1) in the menu. Each LED represents a number as per the table above and the numbers are added to form an alarm number.

E.g. Middle blue and the two last red are lit (xoxoo) Middle blue corresponds to 16, next last red 2 and last red 1. The sum of these is 19, which is the alarm number.

Return to normal operation by pressing the right-hand button.

Addressing the sensor module. 10 sensor modules can be connected to each master unit, each one must have a unique address to work. Switch for termination resistance. On the last sensor module in the circuit switch 1 is set to On.

# Maintenance

