



WISE Parasol EXa

Instructions for Use

05/04/2023
Article 942428036

Content

Symbol key	1	Declaration of Conformity	11
Application area.....	2	References	11
General	2	Installation, design module	12
Contents.....	2	Maintenance.....	15
Protective equipment.....	2		
Electrical safety.....	2		
Handling.....	2		
Installation.....	2		
Dimensions and weights.....	3	Symbol key	
Dimensions	3	Symbols on the machine	
Weight	3	This product complies with applicable EU direc- tives	
Installation, base module.....	4	Symbols in this user manual	
Suspension	4	Warning/Caution!	
A: Suspended installation.....	4		
B: Surface mounted installation.....	4		
Water	6		
Air	7		
Commissioning.....	8		
Nozzle setting.....	8		
ADC	8		
Connections.....	9		
WISE Parasol EX with factory-fitted components	9		
Factory fitted components as an option	9		
LED - Explanation.....	9		
Use.....	10		
Trouble shooting.....	10		
Cleaning.....	10		
Service/maintenance	10		
Materials and surface treatment.....	10		
Disposal.....	10		
Product warranty.....	10		
Technical data.....	11		
Electrical data	11		



The document was originally written in Swedish.

Swegon 

Application area

The product is a suspended comfort module with integrated radio transmitter designed for demand-controlled climate indoors within Swegon's ventilation system WISE. The product is used to ventilate, cool and heat premises exactly as needed.

The product may not be used for anything other than its intended use.

General



Read through the entire instructions for use before you install/use the product and save the instructions for future reference. It is not permissible to make changes or modify this product other than those specified in this document.

Contents

1 x WISE Parasol EX (base module)

1 x WISE Parasol EX (design module)

1 x Instructions for use

Protective equipment



Always use appropriate personal protective equipment for the work in question, in the form of gloves, respirators, protective glasses and helmets during handling, installation, cleaning and service/maintenance.

Electrical safety



Permitted voltage, see Electrical data.

It is not permissible to insert foreign objects into the product's contactor connections or ventilation openings; risk for short circuiting.

24 V isolation transformer to be connected should comply with the provisions of IEC 61558-1.

Cable sizing must be carried out for cabling between the product and the power supply source.

Disconnect the power supply when working on products that are not required to run.

Always follow the local/national rules for who shall be permitted to carry out this type of electrical installation.

Handling

Always use appropriate transport and lifting devices when the product is to be handled to reduce ergonomic loads.

The product must be handled with care.

Installation

- Moist, cold and aggressive environments must be avoided.
- Assemble the product according to this instruction and applicable industry regulations.
- Install the product for easy access during service/maintenance.
- Avoid installing the product near a heat source.
- Check to make sure that the product does not have any visible defects.
- Check that the product is properly secured after it has been installed.
- Secure cables with cable ties.
- Check that all cables are properly secured in place after installation.

Dimensions and weights

Dimensions

Dimensions, WISE Parasol EX 690

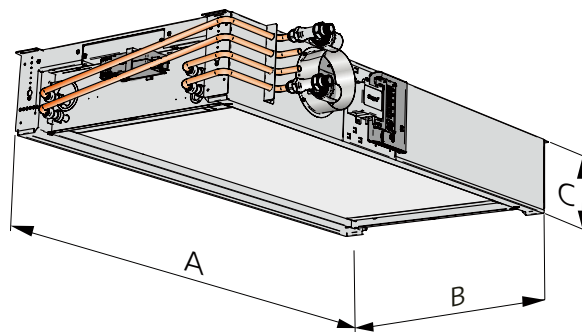
Dimensions base module (mm)				Dimensions complete (mm)		
A	B	C		D	E	F
		(Ø125)	(Ø160)			
567	567	178	208	690	690	250

* When WISE SMB sensor module is installed in the face plate the height measurement (H) increases by 12 mm

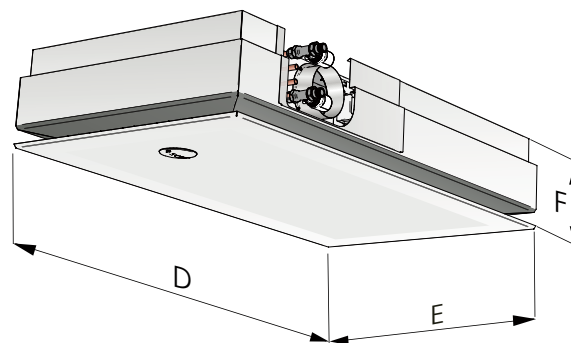
Dimensions, WISE Parasol EX 1290

Dimensions base module (mm)				Dimensions complete (mm)		
A	B	C		D	E	F
		(Ø125)	(Ø160)			
1167	567	178	208	1290	690	250

* When WISE SMB sensor module is installed in the face plate the height measurement (H) increases by 12 mm



Dimensions base module
(The example shows the base module WISE Parasol EX 1290)



Dimensions complete with mounted design module
(The example shows the complete product WISE Parasol EX 1290)

Weight

Weight, WISE Parasol EX 690

Size	Type	Dry weight (kg)	Water volume (l)	
			cooling	heating
690	690-A	22.8	1.1	
690	690-B	24.0	1.1	0.2
690 PF	690-A	24.2	1.1	
690 PF	690-B	25.4	1.1	0.2

Weight incl. design module but excl. sensor module WISE SMB (0.1 kg).

Weight, WISE Parasol EX 1290

Size	Type	Dry weight (kg)	Water volume (l)	
			cooling	heating
1290	1290-A	35.5	1.4	
1290	1290-B	40.3	1.4	0.9
1290 PF	1290-A	37.8	1.4	
1290 PF	1290-B	42.6	1.4	0.9

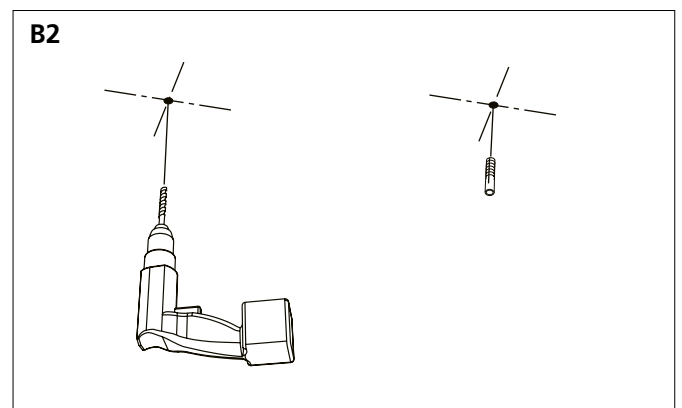
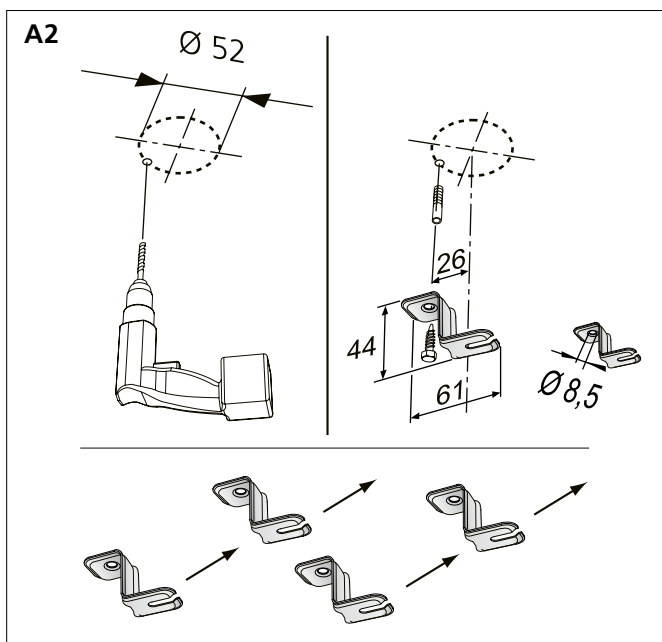
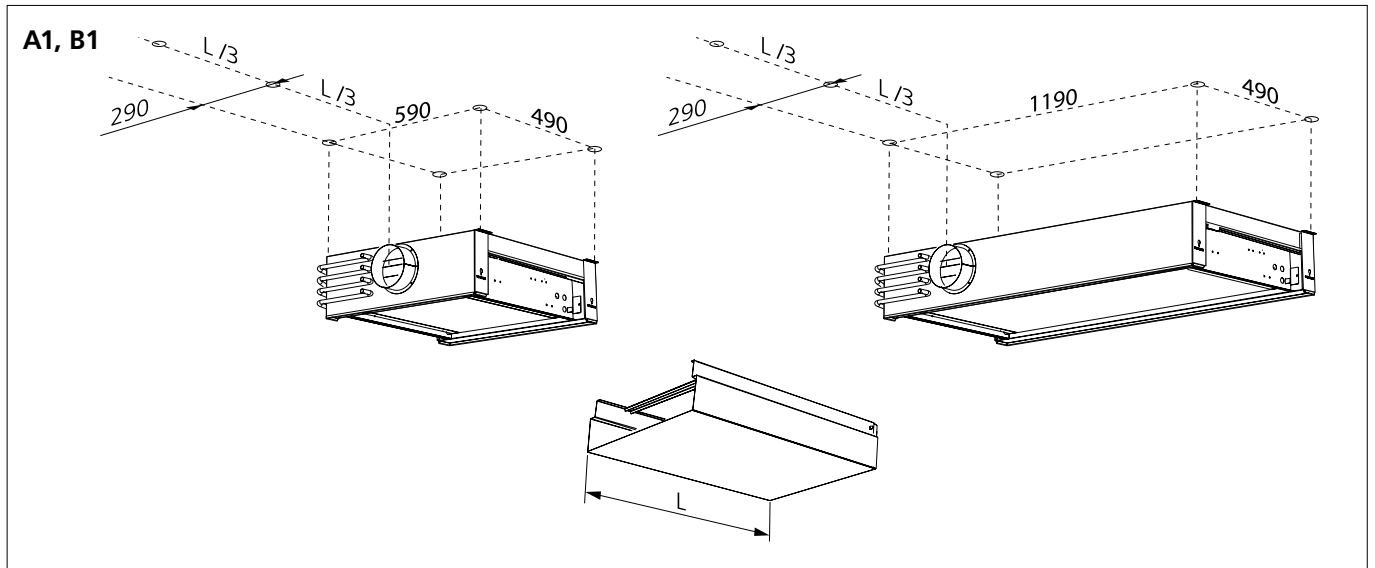
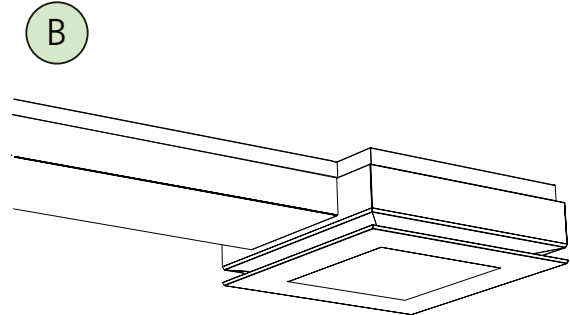
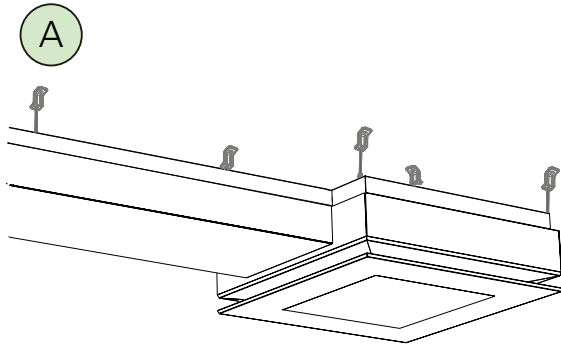
Weight incl. design module but excl. sensor module WISE SMB (0.1 kg).

Installation, base module

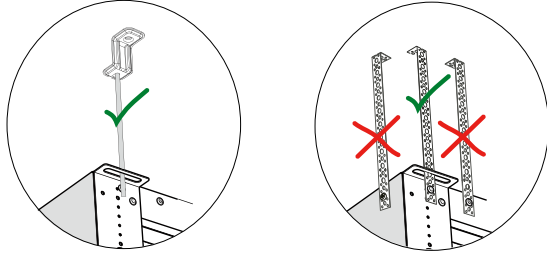
Suspension

A: Suspended installation

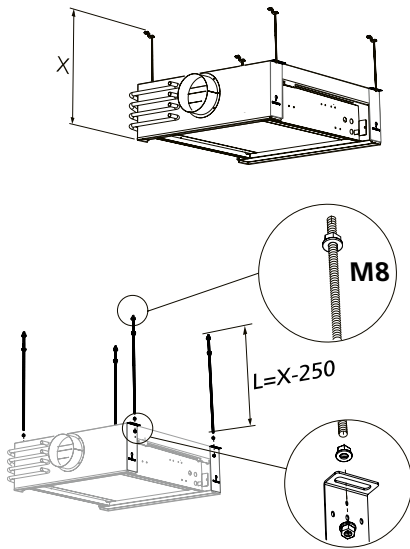
B: Surface mounted installation



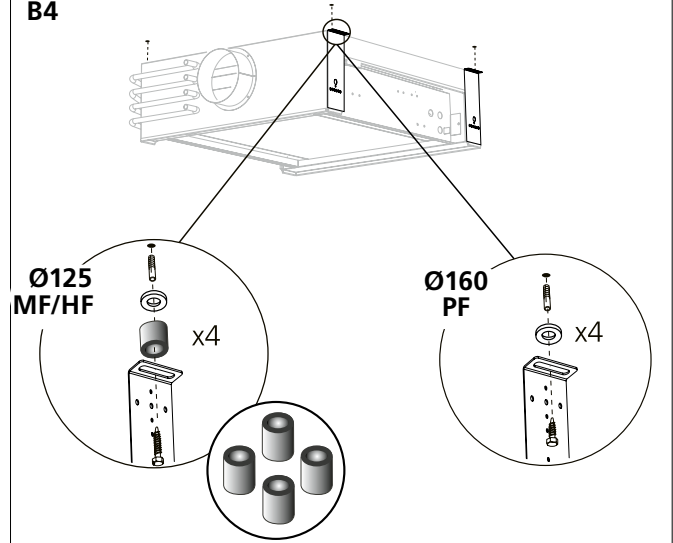
A3, B3



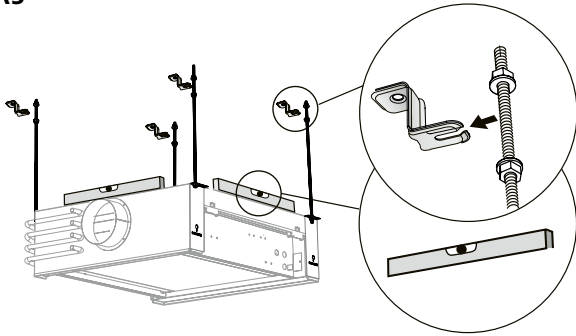
A4



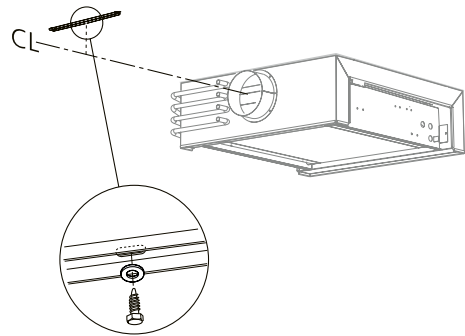
B4



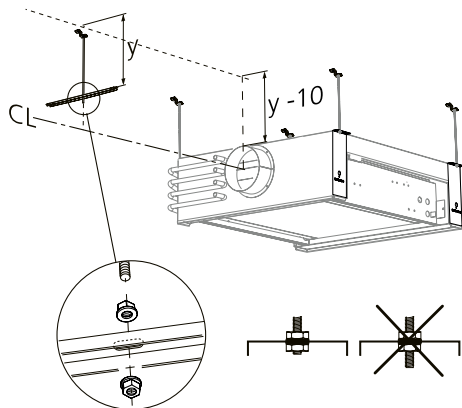
A5



B5



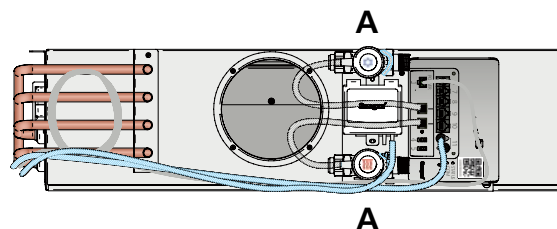
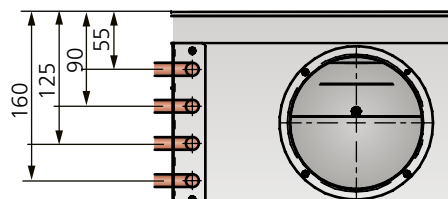
A6



Water

Water connection

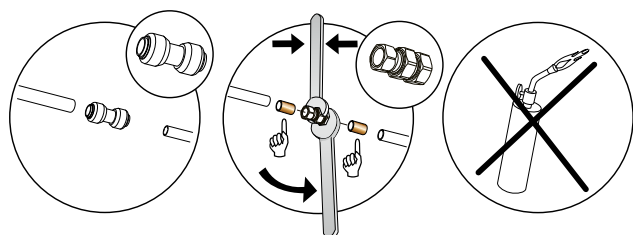
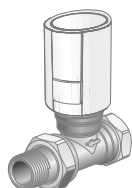
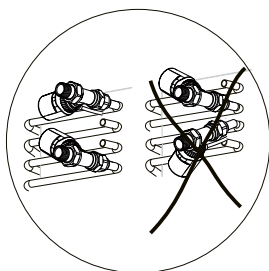
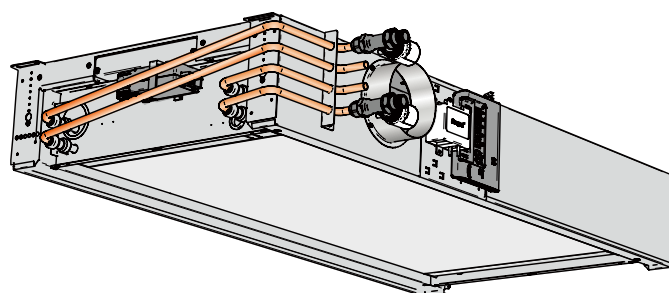
EX 690	EX 1290	EX 1290 Left - side 4
Värme retur/ Heating return B2	Värme retur/ Heating return B2	Värme tillopp/ Heating supply B1
Värme tillopp/ Heating supply B1	Kyla tillopp/ Cooling supply A1	Kyla retur/ Cooling return A2
Kyla tillopp/ Cooling supply A1	Värme tillopp/ Heating supply B1	Värme retur/ Heating return B2
Kyla retur/ Cooling return A2	Kyla retur/ Cooling return A2	Kyla tillopp/ Cooling supply A1



Valve kit installation

If the product is ordered with valve kits, these are supplied connected to the control unit and are temporarily attached with the help of cable ties.

- Cut off the cable ties (A) and mount the valve kit on the pipes for cooling return and heating return according to the label for the product in question.
- Mount the valve kit so that the actuators are aligned as illustrated below.



Note that compression ring couplings require support sleeves inside the pipes.

Water quality

Swegon recommends water quality according to VDI 2035-2 for both the heating and cooling systems. In order to maintain the oxygen content in the water below the levels (<0.1 mg/l) prescribed in VDI 2035-2, it is recommended to install a vacuum degasser, particularly in the cooling system where it's more challenging to dissolved gas. It is also important that the pre-pressure in the expansion vessel is dimensioned according to EN-12828 for both the heating and cooling systems and that regular checks are made of the pre-pressure. The cooling and heating systems must be designed to prevent oxygen from entering the system, this is particularly important to consider when selecting flex hose, pipes and expansion vessels. When the system is filled with fresh water, it has an oxygen content of approximately 8 mg/l, however, this oxygen is consumed quickly through corrosion processes and within a few days the oxygen in the water should be consumed. Nevertheless, it is important to avoid filling the system with fresh water unnecessarily.

Automatic deaerators are often installed to facilitate filling of the system. It is recommended that the automatic deaerators are turned off once the system has been fully vented to avoid these drawing in air in the system if the pre-pressure in the expansion vessel should drop.

Connection sizes

Model	Supplied / Connected	Connection	Coupling type	Connection	Coupling type
WISE Parasol EX A only Cooling	Actuators and valves	Return	DN15, male thread	Supply pipe	Plain pipe 12 x 1.0 mm
WISE Parasol EX B Cooling/Heating	Actuators and valves	Return	DN15, male thread	Supply pipe	Plain pipe 12 x 1.0 mm
WISE Parasol EX A only Cooling	-	Return	Plain pipe 12 x 1.0 mm	Supply pipe	Plain pipe 12 x 1.0 mm
WISE Parasol EX B Cooling/Heating	-	Return	Plain pipe 12 x 1.0 mm	Supply pipe	Plain pipe 12 x 1.0 mm

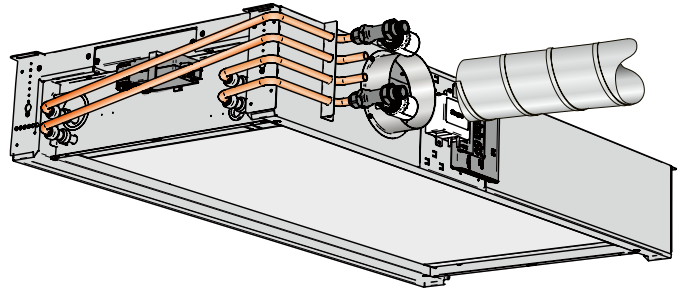
Air

Base module with mounted valve kit

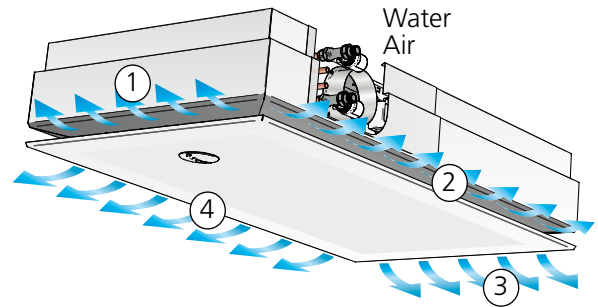
(The example shows the base model for WISE Parasol EX 1290)

Connection dimensions

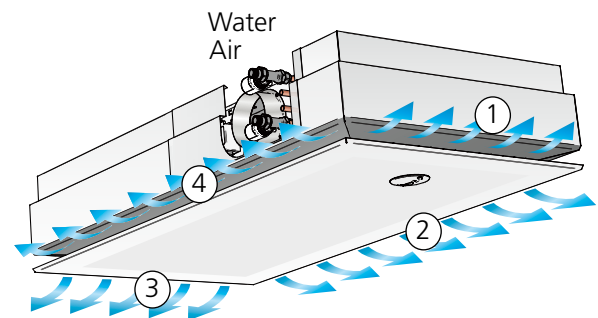
Unit	Ø =
WISE Parasol EX 690 HF	Ø 125
WISE Parasol EX 690 PF	Ø 160
WISE Parasol EX 1290 HF	Ø 125
WISE Parasol EX 1290 PF	Ø 160



Air connection on side 2, (standard)



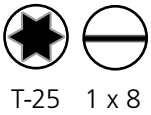
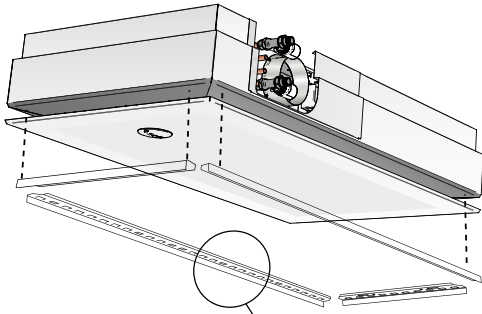
Air connection on side 4



Commissioning

WISE Parasol EX is a part of the WISE system that demand-controls both air and water on a room level and guarantees the highest level of indoor climate with minimum energy consumption. This means that when the installation and inter-connection of the system is completed, no further trimming is required except for the nozzle setting and any adjustment of ADC.

Nozzle setting



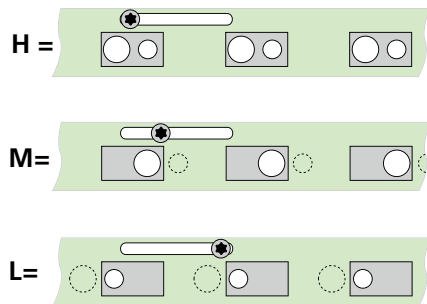
$$p_i = \left(\frac{q}{k}\right)^2 [Pa]$$

$$q = k \cdot \sqrt{p_i} [l/s]$$

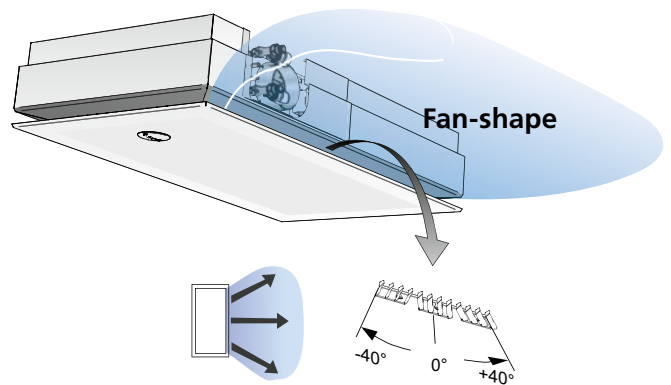
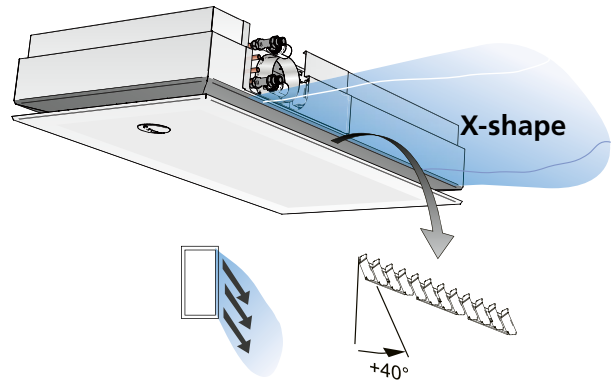
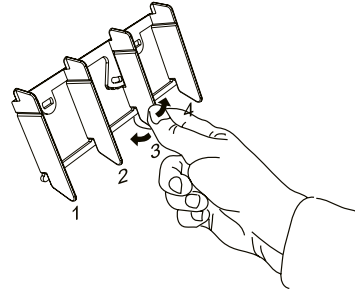
$[p_i Pa]$
 $q [l/s]$
 $k = k\text{-factor}$

Nozzle configuration

H → M → L



ADC



Connections

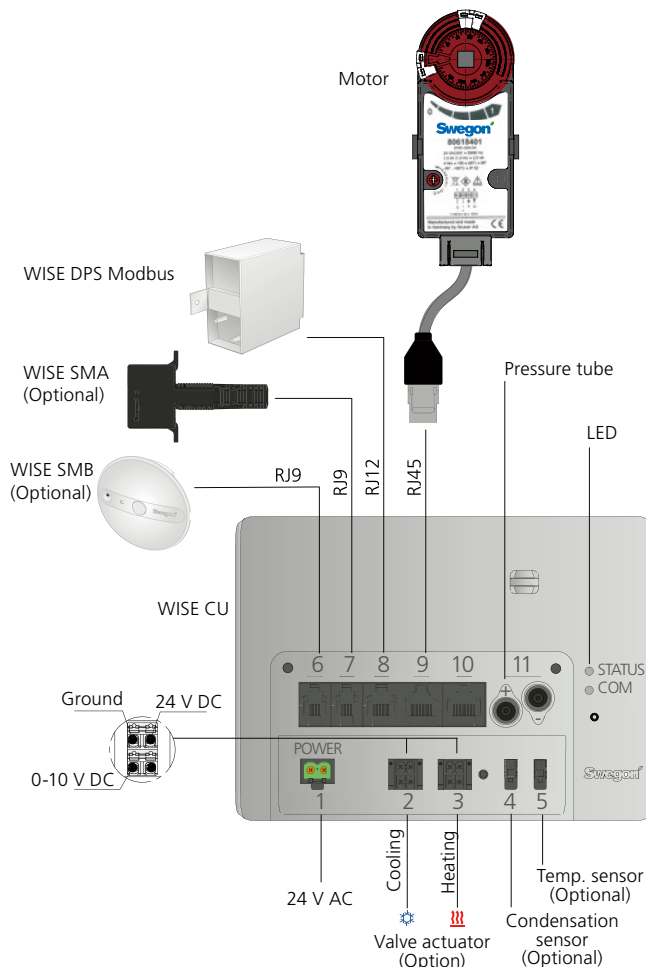
WISE Parasol EX with factory-fitted components

- WISE CU (Controller Unit)
- Temp. sensor (WISE DPS Modbus)
- Motor, air damper

Factory fitted components as an option

- Sensor Module Advanced (WISE SMA), (Optional)
- Sensor Module Basic (WISE SMB), (Optional) **
- Valves and actuators for cooling *
- Valves and actuators for heating *
- Temp. sensor
- Condensation sensor

* Supplied connected but require installing on the pipes
 ** Supplied but requires easy installation on the face plate. Cable for connection of WISE SMB is prefitted on the base module and connected on WISE CU, but requires the cable to be connected on WISE SMB on the face plate



WISE Parasol EX, connection.

LED - Explanation

Not paired

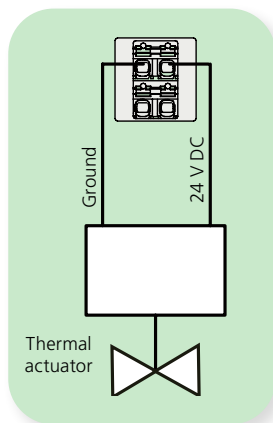
	Colour	Type
Energized	White	Permanent
Selected in TuneWISE	White	Flashing, fast
Prepared to be added to the system	White	Flashing, slowly
To be added to the system	White	Flashing, fast for 5 s

Paired

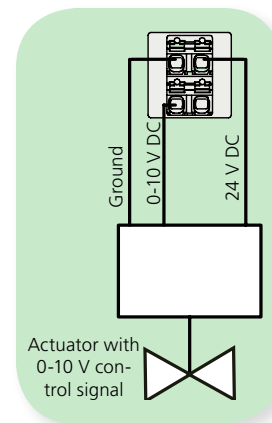
	Colour	Type
Normal operation	Green	Permanent
Restart	Blue	Permanent for 10 s
Initiation	Blue	Flashing
Boosted max. flow	Orange	Permanent
Boosted min. flow	Orange	Permanent
Boosted water flow	Violet	Permanent
Boosted water flow/air flow	Violet/Orange	Alternating

There are different types of actuator.

- For connection of the thermal actuator such as Swegon's actuator ACTUATORc, see figure a.
- For connection of actuators with 0-10 V control signal, see figure b.



a. Connection of thermal actuator



b. Connection of actuator with 0-10 V control signal
 NOTE! 24 V DC supply

Use

Use TuneWISE for commissioning. Commissioning must be performed by qualified and trained WISE service engineers.

Use SuperWISE for settings, reading alarms, etc. refer to the documentation for SuperWISE II / SuperWISE II SC.

Trouble shooting

The product is not shown in the system:

- Make sure that the product is energized. (e.g. diode)
- Make sure that the product is paired.
- Make sure the product is in the right network.

The product shows incorrect/no air flow/pressure

- Make sure that the product is installed according to the recommended distance.
- Check that there is air flow/pressure.
- Check that the measuring tube is mounted correctly.
- Check that the measuring tube is undamaged.

The product does not regulate the air flow/pressure

- Check that the motor has not become detached from the damper spindle.
- Check that the motor works by turning the motor's release button, turn the damper spindle, release the knob and then see whether the motor starts to move.

The product shows incorrect/no temperature

- Make sure the temperature sensor is not missing.
- Make sure that the temperature sensor does not hang outside the product.
- Check that the temperature sensor is connected to the right input.

The product shows incorrect/no VOC/CO2

- Make sure the VOC/CO2 sensor (WISE SMA) is not missing.
- Check that the VOC/CO2 sensor is connected to the right input.

Cleaning

Ideally the product should be cleaned twice a year by vacuuming the coil to remove loose dust. In fibre dense environments a more frequent interval is recommended.

A simple visual inspection of connections is recommended when cleaning.

Avoid aggressive cleaning agents which may harm painted surfaces. Normally a mild soap or alcohol solution is fully adequate for cleaning. See also the maintenance section in this instructions for use.

Cleaning of electrical components

- If needed, use a dry cloth to clean the components.
- Never use water, detergent and cleaning solvent or a vacuum cleaner.

Service/maintenance

- The product does not require any maintenance.
- In connection with a service, mandatory ventilation inspection or cleaning of the ventilation system, check that the general condition of the products looks ok. Pay particular attention to the suspension, cables and that they sit firmly in place.
- It is not permissible to open or repair electrical components.
- If you suspect that the product or a component is defective, please contact Swegon.
- A defective product or component must be replaced by an original spare part from Swegon.

Materials and surface treatment

Sheet parts are made of galvanised sheet steel (Z275) and pre-painted sheet SS-EN 10143+10346 - DX52D + ZA95, NCS S 0500-N gloss 30+/-6%.

Disposal

Waste must be handled according to local regulations.

Product warranty

The product warranty or service agreement will not be in effect/ will not be extended if: (1) The product is repaired, modified or changed, unless such repair, modification or change has been approved by Swegon AB; or (2) the serial number on the product has been made illegible or is missing.

Technical data

Max. radio frequency output:	50 mW
Frequency band:	2.45 GHz, IMS band (2400--2483 MHz)
Temperature sensor:	0 - 50°C ± -0.5°C
Dynamic pressure sensor:	0 - 300 Pa
With WISE SMA	
VOC sensor	450 - 2000 ppm
RH sensor:	0 - 100 RH%
IP class:	IP20
Running time open/close (90°):	120 s
Ambient temperature	
Operation:	0 – 50°C
Storage:	-20 – +50°C
RH:	10 - 95% (non condensing)
CE marking:	2006/42/EC (MD) 2014/53/EU (RED) 2011/65/EU (RoHS2)

Electrical data

Power supply:	24V AC ±15% 50 - 60Hz
Connections pipe dim.	
Power:	Screw terminal max. 2.5mm ²
Valve actuator:	Push-in spring force connections, max. 1.5 mm ²
Max. power consumption:	See table below

WISE Parasol EX in standard version:	VA / unit	Standard VA total
WISE CU	2.3	5.1
WISE DPS Modbus	0.8	
Damper motor (315C)	2	

Option:	VA / unit		
	x 1	x 2	x 3
Valve actuator, ACTUATORc	6	12	18*
WISE SMA	0.8		
WISE SMB	0.6		

*Valid for products with CU ver. 2, delivered from 01/10/2019
 Example:
 WISE Parasol EX in standard version with the following options:
 Actuator for cooling and heating as well as WISE SMA, gives a total power consumption of 5.1 + 6 + 0.8 = 11.9 VA

Declaration of Conformity

Swegon AB hereby affirms that WISE Parasol EX with integrated radio, complies with the essential characteristic demands and relevant regulations specified in the following directives: 2006/42/EC (MD), 2014/53/EU (RED) and 2011/65/EU (RoHS2):

The following standards have been observed:	
EN ISO 12100:2010	Safety of machinery - General principles for design - Risk assessment and risk mitigation
EN 60204-1:2006	Safety of machinery - Electrical equipment of machines - Part 1: Generic standards
EN 60730-1:2011	Automatic electrical control and control unit for household use - Part 1: Generic standards
EN 60730-2-14:2009	Automatic electrical controls for household and similar use - Part 2 Particular requirements for electric actuators
IEC 60529:1992+A2:2013	Degrees of protection provided by enclosures (IP code)
EN 61000-6-2:2007	Electromagnetic compatibility (EMC). Generic standards. Immunity for industrial environments
EN 61000-6-3:2007	Electromagnetic compatibility (EMC). Generic standards. Emission standard for residential, commercial and light-industrial environments
EN 300 328 V1.9.2, V1.9.1, V1.8.1	Electromagnetic compatibility and Radio spectrum Matters (ERM) - Wideband Transmission systems - Data transmission equipment operating in the 2.4 GHz ISM band and using spread spectrum modulation techniques
EN 60335-1:2012+A11:2014	Electric household appliances and similar appliances - Safety - Part 1: Generic standards
EN 60335-2-30:2009+A11	
EN 62233:2008	



Person responsible for this declaration:
 Name: Carl-Ola Danielsson, R&D Manager
 Address: Fallebergsvägen 17, 671 34 Arvika, Sweden
 Date: Arvika 23/06/2020

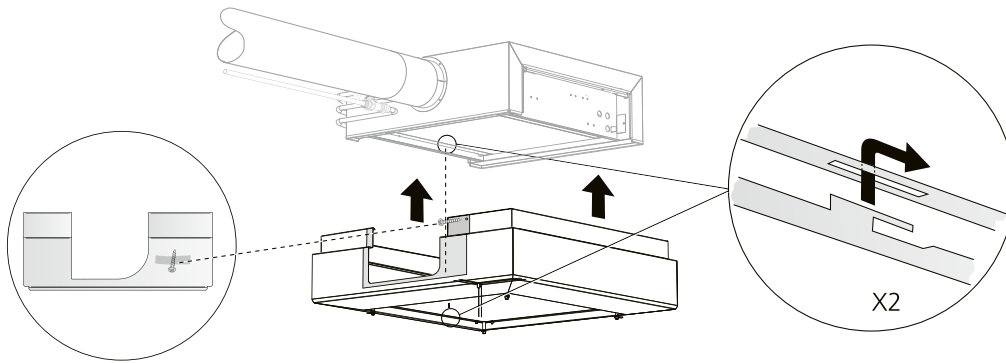
This declaration is applicable only if the product has been installed according to the instructions in this document and if no modifications or changes have been made on this product.

References

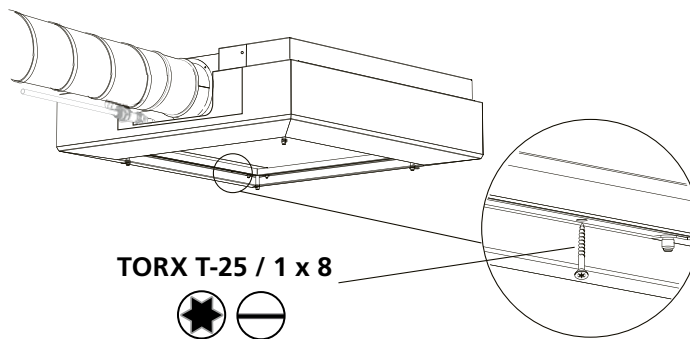
- www.swegon.com
- Building Materials Declaration
- WISE Parasol EX product data sheet
- WISE System Guide
- SuperWISE II / SuperWISE II SC User Manual
- WISE Project Planning Guide VS & Cooling, Electric & Control and Ventilation

Installation, design module

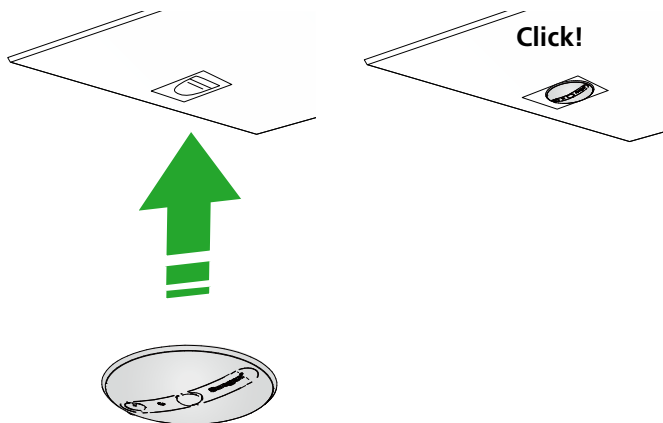
A7, B6



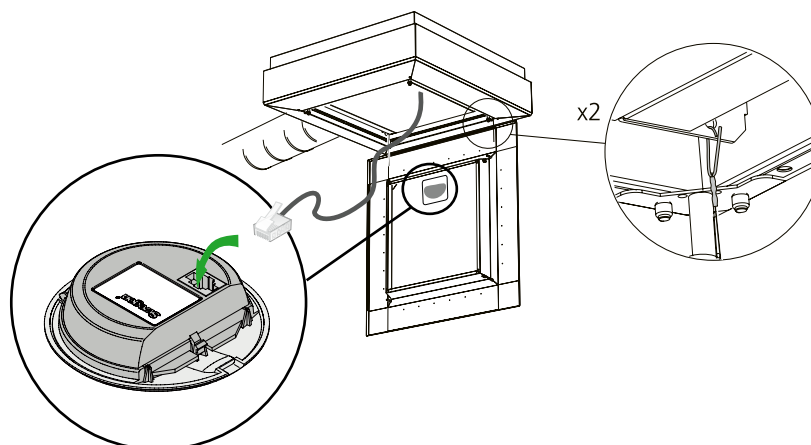
A8, B7



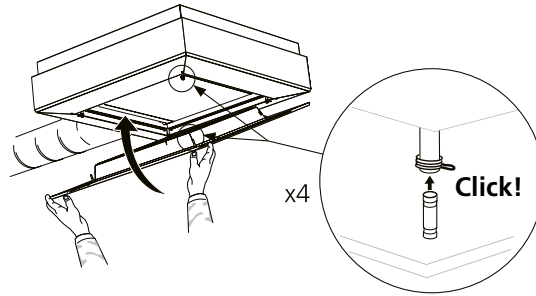
A9, B8



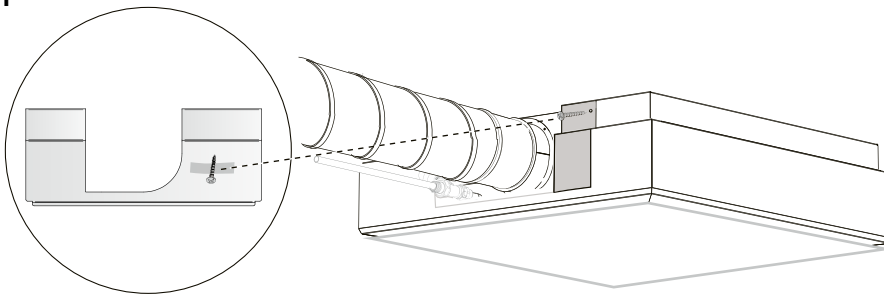
A10, B9



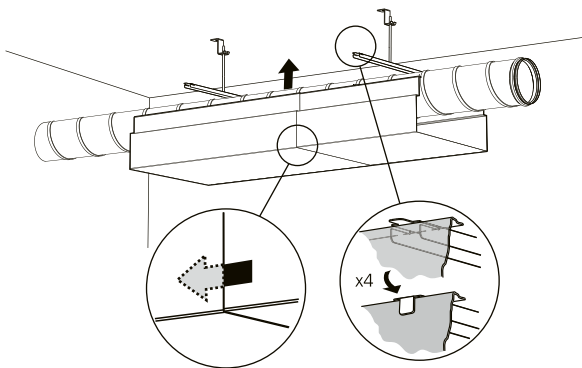
A11, B10



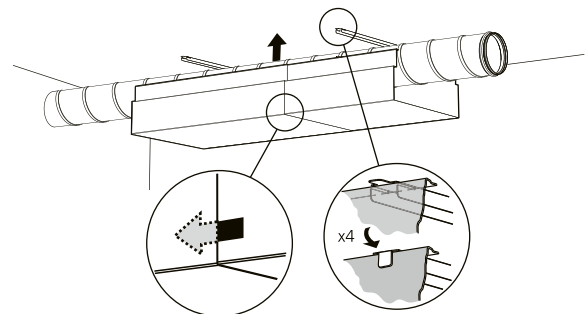
A12, B11



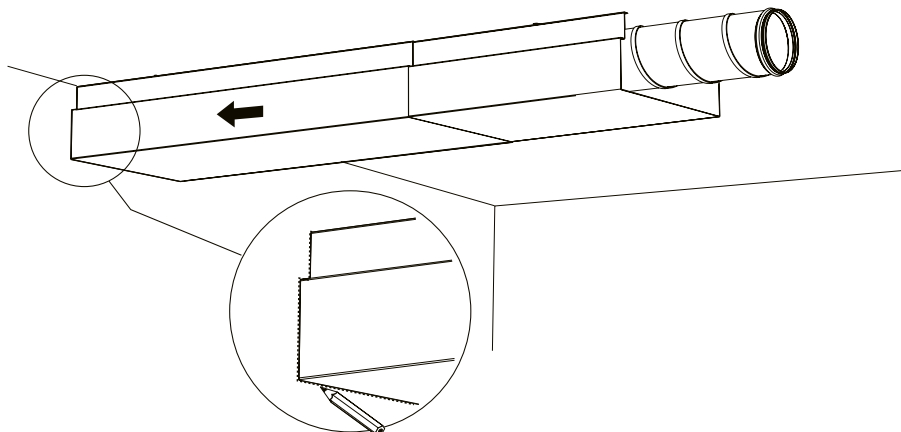
A13



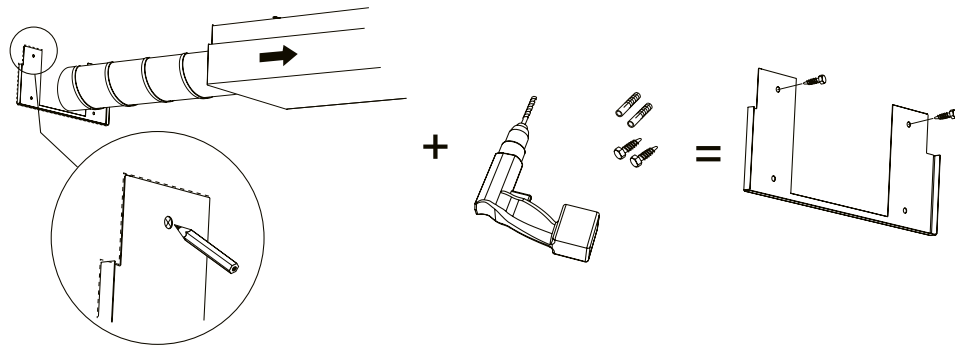
B12



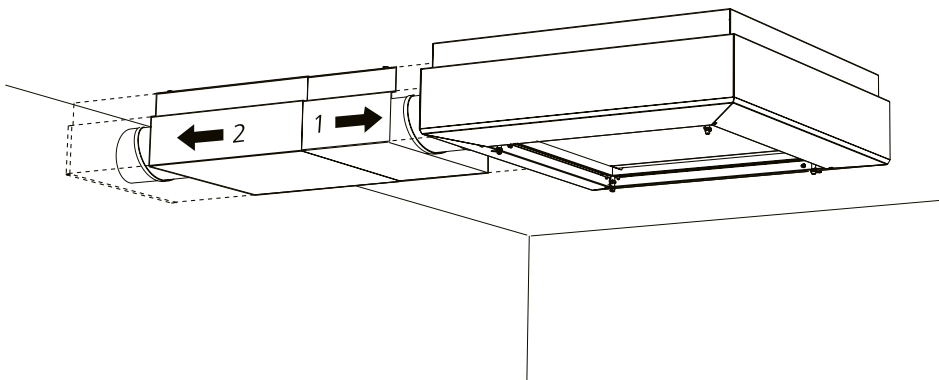
A14, B13



A15, B14



A16, B15



Maintenance

