

Application area

Central control unit with integrated radio transmitter designed for use in Swegon's WISE system for demand-controlled ventilation.

General

All relevant personnel must acquaint themselves with these instructions before beginning work. Any damages to the product or parts of it due to improper handling cannot be considered subject to warranty if this instruction has not been followed correctly. For further information about the WISE, see the relevant documentation at www.swegon.com

The packaging contains the following items:

- 1 Control unit WISE DIR
- One Antenna
- One 2-pole jack connector
- 1 x Instructions for use

Electrical safety

Only a qualified electrician or service personnel trained by Swegon are permitted to carry out any work on the electrical installation or connection of products to the system. Always follow local/national rules for who shall be permitted to carry out this type of electrical installation.

The 24 V isolation transformer must be connected in compliance with IEC 61558-1.

Installation

Check to make sure that the product does not have any visible defects.

Install the radio antenna. See Figure 1. Antenna should be directed vertically for the best radio communication.

Avoid installing the product near a heat source.

Install the product so that it will be easy to access if it becomes necessary to replace it.

Install the product so that it is not accessible by unauthorized persons, for example above a suspended ceiling.

Installation and cable connection, see figures 1 and 2.

Check that the product is properly secured after it has been installed.

Check that all cables are properly mounted in place after installation.

Use TuneWISE for commissioning. Commissioning must be performed by qualified and trained WISE service engineers.

Use

Power supply LED:

LED green - connected

LED off - no voltage

Status LED:

LED white - pairing mode

Trouble shooting

Make sure that the product is energized, the supply LED should be lit/flash green.

Check the status of the product. If the status diode has an orange glow, the product has initiated an alarm.

Cleaning

If necessary, use a dry cloth when cleaning. Never use water, detergent, cleaning solvent or a vacuum cleaner.

Service/maintenance

The product does not require any maintenance.

If you suspect that the product has some defect, please contact Swegon.

Disposal

Must be handled according to local regulations.

Warranty

The warranty or service agreement will not be in effect/will not be extended if: (1) The product is repaired, modified or changed, unless such repair, modification or change has been approved by Swegon AB; or (2) the serial number on the product has been made illegible or is missing.

Technical data

Power supply:	24V AC \pm 10% 50-60 Hz
Max. power consumption:	5 VA
Cable rating, connector:	Power: screw terminal max. 2.5mm ²
Ethernet:	2 x 10/100 Mbps
USB:	Type A
Frequency band:	2.45 GHz, IMS band (2400--2483 MHz)
Output (ERP):	50 mW
IP class:	IP20
Material:	Enclosure: Die cast aluminium and sheet steel
Colour:	RAL7037
Ambient temperature:	Operating: 0 – + 50°C, Storage: -40 – +80°C
RH:	10 – 95% Non-condensing
Weight:	With antenna: 870 g
Dimensions:	W241 x H213 x D44 mm
PN number:	8175001

Declaration of Conformity

Swegon AB declares that the radio equipment type 8175001 (WISE DIR) is in compliance with Directive 2014/53/EU and Directive 2011/65/EU.

The full text of the EU declaration of conformity is available at the following internet address: www.swegon.com.

This declaration is applicable only if the product has been installed according to the instructions in this document and if no changes have been made on this product.

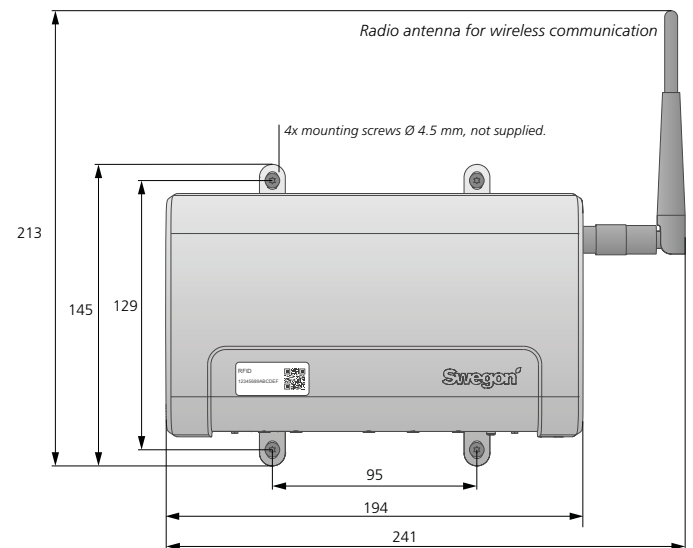


Figure 1. Dimensions.

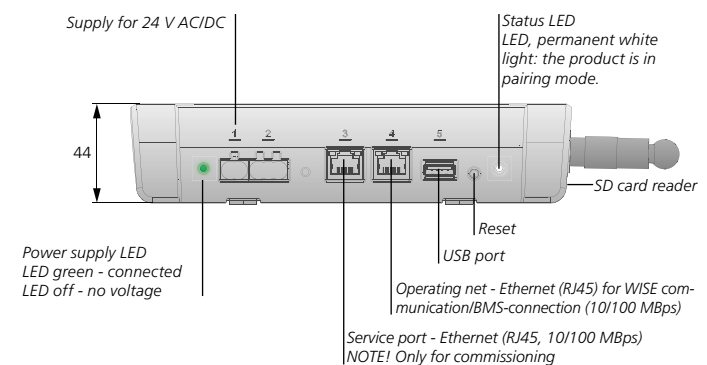


Figure 2. Cable connection and dimensions.