

TECHNICAL INFORMATION

APPLICATION	Airflow direction	horizontal, vertical
	Airflow type	linear / exhaust or supply
CONSTRUCTION	Shape	square
	Min. height	100 mm
	Max. height	2000 mm
	Available steps in length	1 mm
	Min. height	50 mm
	Max. height	300 mm
	Available steps in height	12,5 mm
	Installation depth	18 mm
MATERIAL	Height	2,5 mm
	Standard material	anodized aluminium
	Standard finishing	satin anodized 11 µm
	Product finishing options	Powder coating RAL
MONTAGE	Mounting option	suspend

QUICK SELECTION

Z600 SUPPLY

Q [m³/h]		L [mm]							
H [mm]	Lw	200	300	400	500	600	700	800	1000
50	25 dB(A)	42	60	78	94	109	123	137	163
	35 dB(A)	68	98	127	153	177	201	223	265
75	25 dB(A)	67	96	124	150	174	197	219	259
	35 dB(A)	109	157	202	244	283	321	356	423
100	25 dB(A)	90	129	166	201	233	264	293	347
	35 dB(A)	146	211	271	327	380	430	477	566
150	25 dB(A)	132	191	245	296	343	389	432	512
	35 dB(A)	216	312	400	483	561	635	705	837
200	25 dB(A)	174	250	321	388	450	510	566	671
	35 dB(A)	284	410	526	635	738	835	927	1099

Z600

BAR GRILLE FOR WINDOWSILL MOUNTING

Variations [ZA600](#) [ZB600](#) [ZC600](#)



The grille type Z-600 is used for the supply and exhaust of cooled or heated air as well as ventilation, with straight bars or with 15° deflection.. The grille can be mounted in a window sill where strict aesthetic construction is desired.

Architectural finish.

Shallow installation depth.

Core is easy removable without any tools.



WINDOWSILL



1 WAY THROW

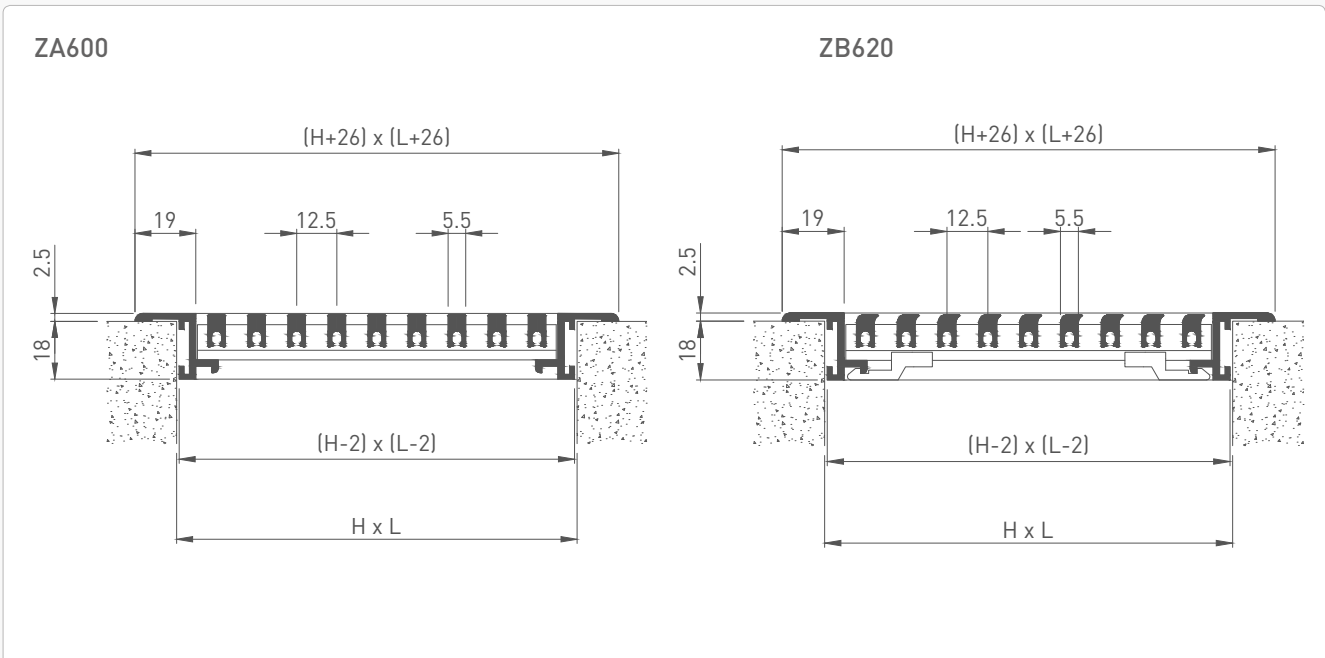
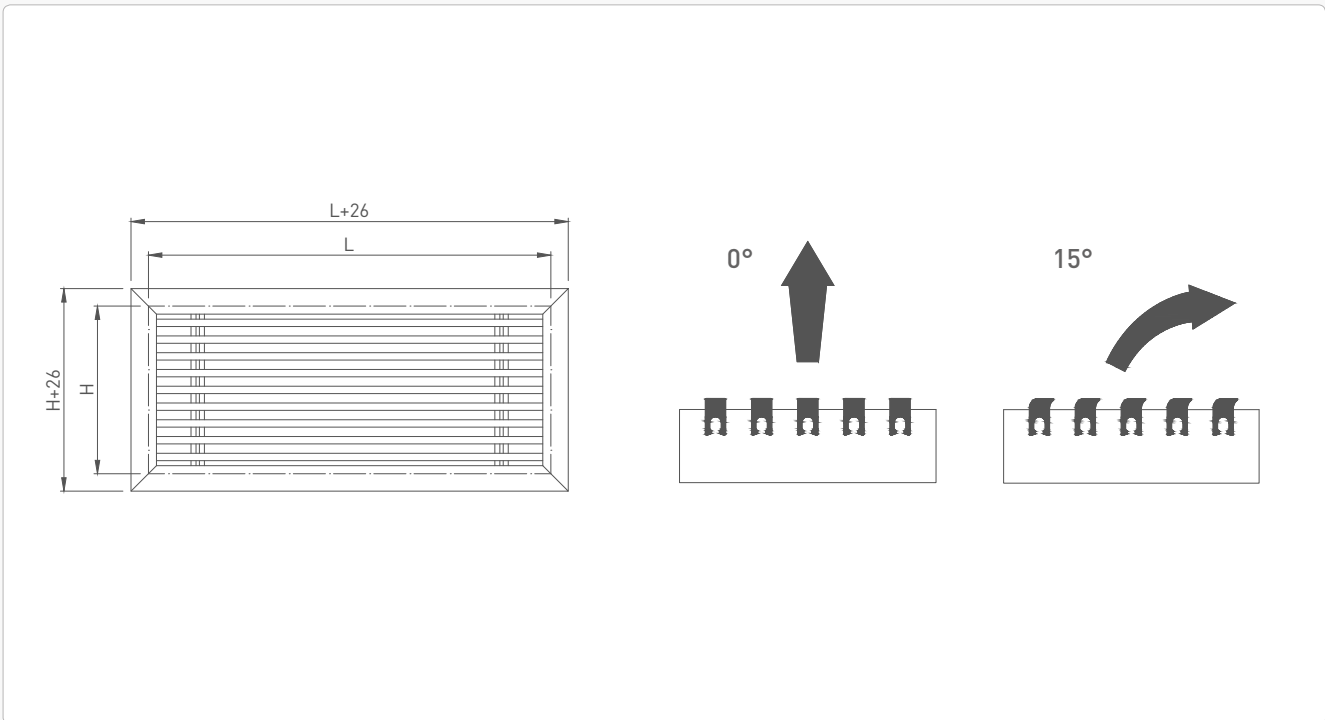


RECTANGULAR EXECUTION

BAR GRILLE FOR WINDOWSILL MOUNTING

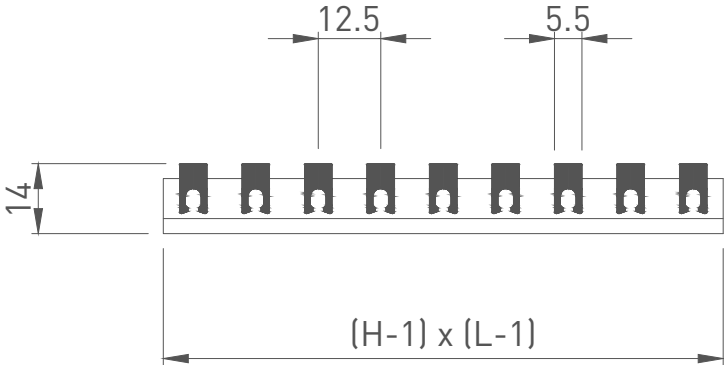
ZA600 ZB600 ZC600

DRAWING

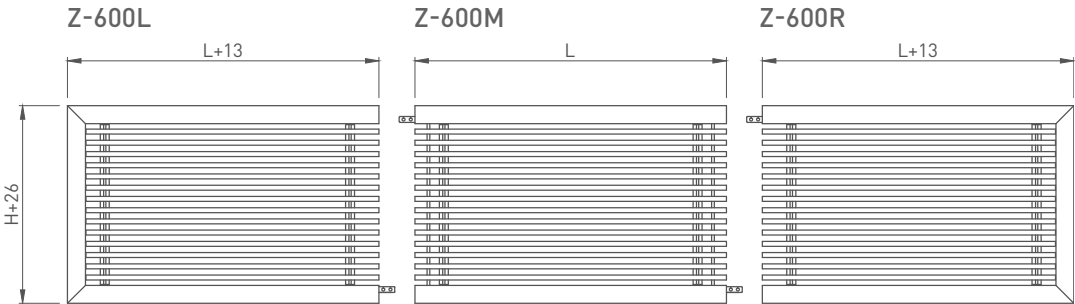


All dimensions in mm.

ZC600



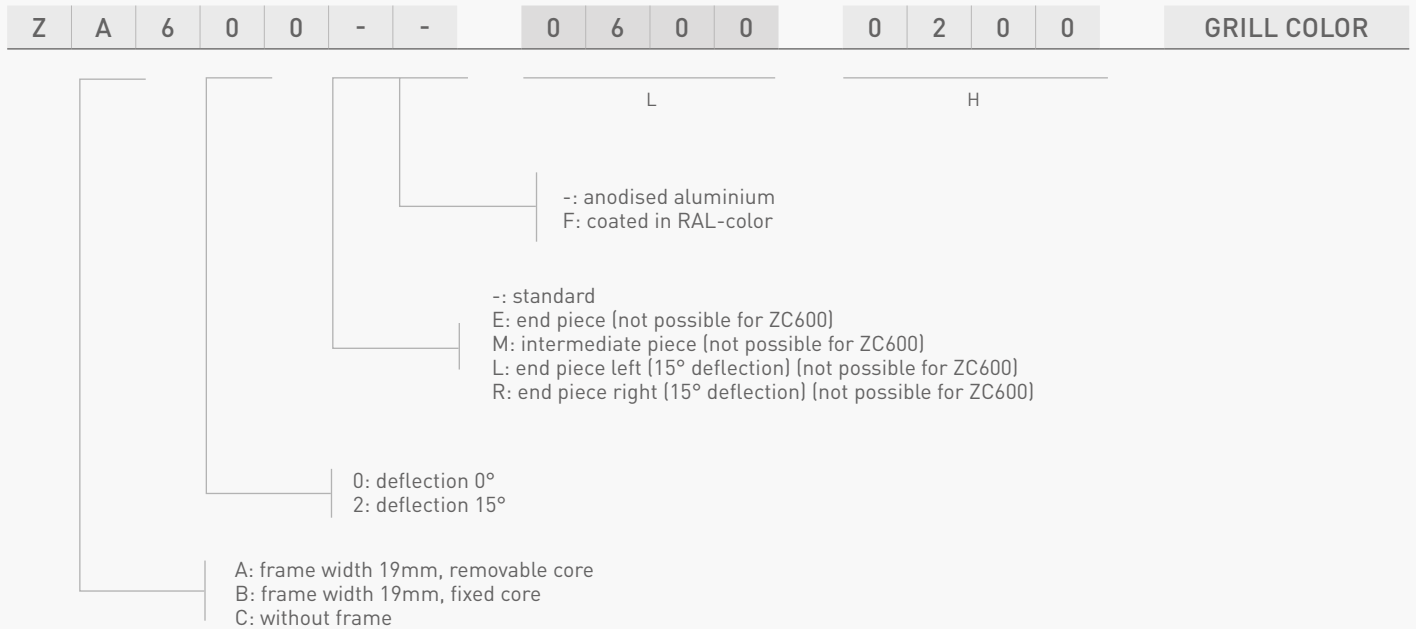
INTERMEDIATE PIECE AND END PIECE



BAR GRILLE FOR WINDOWSILL MOUNTING

ZA600 ZB600 ZC600

HOW TO ORDER ?



* NOTE: L(left) and R(right) are determined by looking at the face of the grille with the bars having a downward deflection