

TS750

4 WAY SLOT DIFFUSER WITH CENTRAL EXHAUST GRILL



VARIANTS

TS750_S, TS770_S

The slot diffuser type TS750 is used for supply and exhaust of heated and cooled air in facilities such as offices, meeting rooms,... A horizontal air pattern in 4 directions is obtained by special designed fixed vanes. A high induction and penetration of the air stream in the room is obtained without internal turbulence. The central exhaust grille has a hinged perforplate, suitable for a wire frame filter. Designed for installation in modular ceiling systems (T-bars or fine line Z-profile).

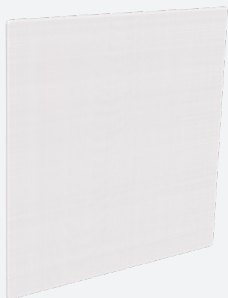
Fixed 4 way horizontal air pattern

Double combination plenum supply+exhaust

Hinged perforplate for mounting of wire frame filter

Frontplate available in two designs

ACCESSORIES



FI-05

TECHNICAL INFORMATION

APPLICATION	Airflow direction	Horizontal, 4-way, fixed
	Type	Combined diffuser for supply+exhaust
CONSTRUCTION	Frontplate	Supply: 1, 2, 3 slots Exhaust: Perforation Ø4,5mm, 51% free passage
	Available panel sizes	594x594, 670x670mm
	Plenum	Double plenum with supply and return connection
MATERIAL	Frontplate	Powder coated sheet steel metal
	Standard finishing	Powder coating RAL9010
	Product finishing options	Powder coating RAL of choice
	Plenum	Galvanised (275g/m ²) sheet steel
	Spigot plenum supply	PP/TPE spigot, Class D spigot with double lip seal
	Spigot plenum exhaust	Galvanised (275g/m ²) sheet steel
MOUNTING	Insulation (optional)	Melamine 6mm
	Mounting options	Suitable for modular T-bar ceiling system Mounting eyes (Ø7mm) standard, mounting straps available upon request

QUICK SELECTION

Supply Q _v [m ³ /h]	A [mm]	L _w	
		25 dB(A)	35 dB(A)
TS751	594 x 594	285	400
TS752	594 x 594	360	520
TS753	594 x 594	360	545
TS751	670 x 670	300	425
TS752	670 x 670	320	485
TS753	670 x 670	350	535

PRODUCT KEY

FOUR WAY SLOT DIFFUSER WITH DOUBLE PLENUM

T	S	7	5	3	-	F	S	-	-	0	0	2	5	0	0	5	9	4
---	---	---	---	---	---	---	---	---	---	---	---	---	---	---	---	---	---	---

Nominal diameter N (mm)
160, 200, of 250

Panel size A (mm)
594 of 670

0: Without mounting straps
1: With mounting straps

- : Without damper

-: Non insulated plenum
G: Insulated plenum

S: Side connection

F: Coated

- 1: 1 slot on each side
- 2: 2 slots on each side
- 3: 3 slots on each side
- 4: 4 slots on each side (only for TS750)

- 5: Version square design, lay-in on T-bars
- 6: Version square design, mounting with Z-profile (fine line 5/8)
- 7: Version corner design, lay-in on T-bars
- 8: Version corner design, mounting with Z-profile (fine line 5/8)

WIRE FRAME FILTER

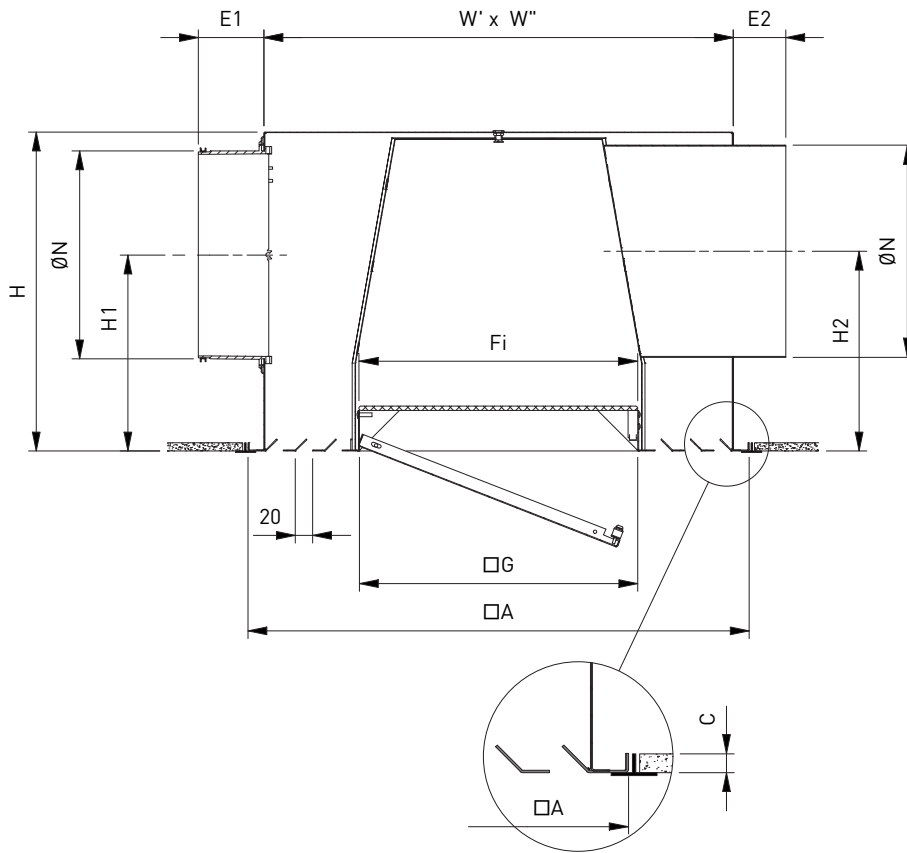
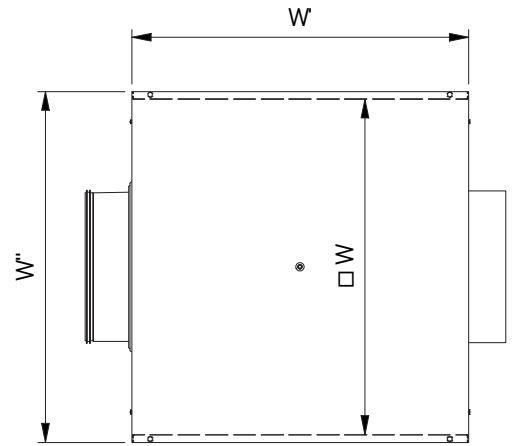
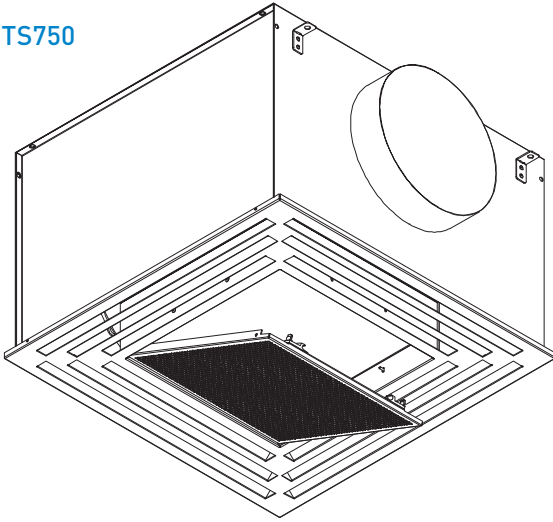
F	I	3	0	5	0	3	3	0	0	3	3	0
---	---	---	---	---	---	---	---	---	---	---	---	---

Filter length (mm)

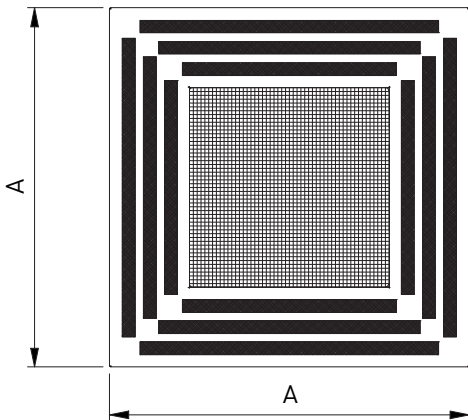
Filter width (mm)

- 2: Wire mesh filter thickness 5mm - Class G2
- 3: Wire mesh filter thickness 5mm - Class G3
- 4: Wire mesh filter thickness 5mm - Class G4

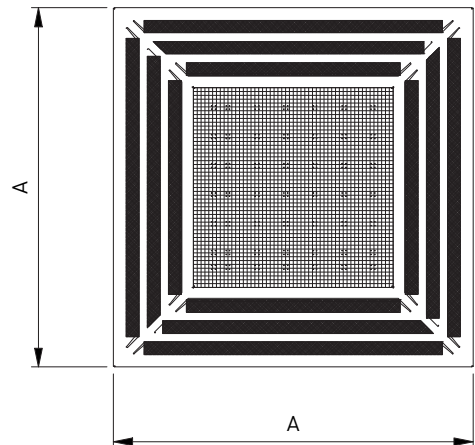
TS750

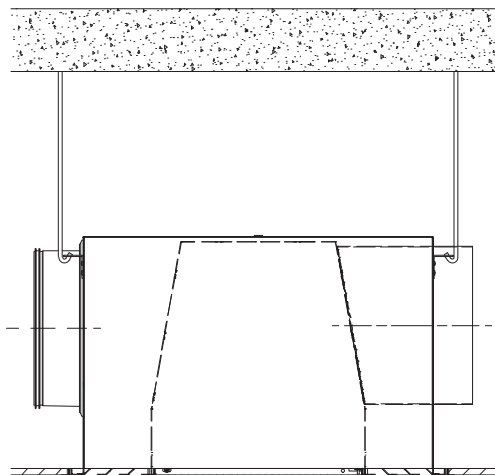


TS750

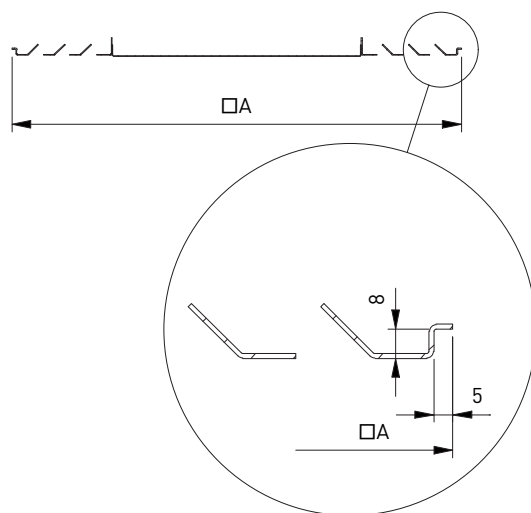


TS770





FINE LINE: TS760/TS780



DIMENSIONS

	A	C	E1	E2	Fi Filter	G	H	H1	H2	ØN	W	W' x W''
TS751	594	10	78	58	470 x 470 x 5	472	378	233	179	250	555	555 x 580
TS752	594	10	78	58	400 x 400 x 5	402	378	233	179	250	555	555 x 580
TS753	594	10	78	58	330 x 330 x 5	332	378	233	238	250	555	555 x 580
TS754	594	10	78	58	260 x 260 x 5	262	378	233	238	250	555	555 x 580
TS751	670	10	78	58	546 x 546 x 5	548	378	233	179	250	631	631 x 656
TS752	670	10	78	58	476 x 476 x 5	478	378	233	179	250	631	631 x 656
TS753	670	10	78	58	406 x 406 x 5	408	378	233	238	250	631	631 x 656
TS754	670	10	78	58	336 x 335 x 5	338	378	233	238	250	631	631 x 656

All dimensions in mm