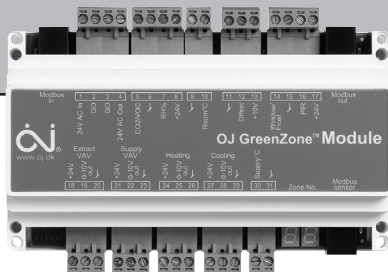




# OJ GreenZone™ Module A



67281B 12/17 (BCH)  
© 2017 OJ Electronics A/S

## INSTRUCTIONS

- English
- Deutsch
- Français
- Svenska
- Norsk
- Dansk



**GREEN COMFORT**

Maximum comfort with low energy consumption

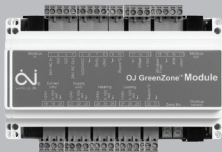
---

## **INSTRUCTIONS**

English.....	3 - 15
Deutsch.....	16 - 28
Français.....	29 - 42
Svenska.....	43 - 55
Norsk.....	56 - 68
Dansk.....	69 - 80

## **ILLUSTRATIONS**

Illustrations.....	82 - 91
--------------------	---------



English



## LIST OF FIGURES

The following figures are located at the back of the instructions:

- Fig. 1: OJ GreenZone™ Module A
- Fig. 2: Dimensions
- Fig. 3: Overview of connectors in OJ GreenZone™ Module A
- Fig. 4: Connection of Modbus communication
- Fig. 5: “Modbus in” connector
- Fig. 6: RJ12 Modbus connector
- Fig. 7: Modbus cable connection
- Fig. 8: Connection of supply voltage
- Fig. 9: Looping terminals for supply voltage
- Fig. 10: Connection of PT1000 and CO2 sensors
- Fig. 10A: Connection of humidity sensor
- Fig. 11: Connection of temperature offset potentiometer
- Fig. 12: Connection of frost thermostat
- Fig. 13: “Modbus out” connector
- Fig. 14: Connection of exhaust VAV actuator
- Fig. 14A: Connection of inlet VAV actuator
- Fig. 15: Connection of PT1000 sensor, inlet
- Fig. 16: Connection of heating valve actuator
- Fig. 16A: Connection of cooling valve actuator
- Fig. 17: 2-digit display
- Fig. 18: RJ12 connector “Modbus sensor”
- Fig. 19: Configuration overview
- Fig. 20: Connection of window contact
- Fig. 21: Connection of PIR sensor

## INTRODUCTION

OJ GreenZone™ Module A is an electronic controller for regulating a single VAV zone in a ventilation system. OJ GreenZone™ Module A contains all the functions necessary for controlling the VAV zone optimally with regard to energy consumption and comfort.

**DESCRIPTION**

OJ GreenZone™ Module A controls VAV damper, temperature, CO2 and air humidity in the room depending on which sensors are connected to the OJ GreenZone™ Module A. OJ GreenZone™ Module A is self-configuring. This means that the controller performs a test of the connected units and then controls the zone optimally on the basis of the connected components, sensors, actuators, etc. once installation has been completed and the OJ GreenZone™ Module A is powered up.

The module is set and operated via the built-in web server, which is accessed via the connected OJ GreenZone™ Master.

Up to twenty-five OJ GreenZone™ Module A units can be connected to each OJ GreenZone™ Master.

OJ GreenZone™ Module A Modbus is equipped with 4 x 0-10 VDC for valve and damper motors.

**PRODUCT PROGRAMME****Products from OJ Electronics**

Type	Product
OJ-ZoneMaster	Master module for controlling max. 25 x OJ-ZoneModul-A units
OJ-ZoneModule-A	Zone Module for control of one zone
OJ-RPT-20T	Room control panel with touch screen
TTH-6202	Duct temperature transmitter with Modbus
TTH-6040-W	Room temperature transmitter with Modbus
HTH-6202	Duct Humidity and temperature sensor with Modbus
VTH-6202	Duct VOC sensor (fumes from volatile organic compounds)
OJ-Air2PWR80	Voltage supply unit, 2x24 VAC, 2x60 VA
ETT-KH	Cover for OJ-Module-A, wall mounting
ETFWP-998	PT1000 room sensor with dial for adjusting the temperature set point
ETF-1098L1-4	PT1000 duct sensor (°C)
ETF-998-H	PT1000 room sensor (°C), 80x80 mm

**Products from other suppliers**

Type	Product
Belimo type LMV-D3, NMV-D3	VAV damper 0-10V
Belimo type CQ24A-SR, LR24A, NR24A, SR24A	Heating valve 0-10V
Belimo type CQ24A-SR, LR24A, NR24A, SR24A	Cooling valve 0-10V

Type	Product
050-8-0004 eSENSE Duct	CO2 sensor for duct mounting
Thermokon TFR 1,8, TFR 1,8-R	Frost thermostat with 1.8 m capillary tube
Thermokon WRF06l / RDI	Motion sensor for surface mounting
Telephone cable, type: TD6006 Black	Telephone cable, 6-core, make: INEC
TE Connectivity telephone connector, RJ12	Modular telephone connector 6/6, RJ12 standard connector

## INSTALLATION

OJ GreenZone™ Module A should be fitted to a standard 35 mm DIN rail mounted in an enclosure corresponding to the installation site classification (see fig. 2 for unit dimensions). The unit itself is classed as IP20 and ETT-KH from OJ Electronics can be used for such covering purposes. The most practical location will often be in the vicinity of other components, valves, sensors, etc. associated with the VAV zone. An overview of the physical configuration of the system is given in fig. 19.

An ideal location would be above a suspended ceiling panel. OJ GreenZone™ Module A must be provided with a 24 VAC, +/-15% power supply and is therefore equipped with looping terminals (max. 1.5 mm<sup>2</sup>) for the purpose (see figs 8 and 9). Other connections are made by means of a combination of RJ12 connectors and screw terminals for connecting wires of max. 1.5 mm<sup>2</sup> cross-sectional area (see fig. 3).

### Connections and indications (see overview in fig. 1)

In fig. 3, all connectors are marked with a letter (A – P).

See below for descriptions of electrical connection of the various components, inputs and outputs, and other signals and indications of the OJ GreenZone™ Module A.

### Connection of VAV damper motors (see figs 3, 14 & 14A)

OJ GreenZone™ Module A can control two VAV dampers: one VAV damper in the exhaust duct and one VAV damper in the inlet duct. The VAV damper motors are controlled by means of a 0-10 V signal.

- The VAV damper motor in the zone's exhaust duct should be connected to terminals 18, 19 & 20 (see fig. 14)
- The VAV damper motor in the zone's inlet duct should be connected to terminals 21, 22 & 23 (see fig. 14A)

### Connection of valve motors for heating and cooling systems (see figs 3, 16 & 16A)

OJ GreenZone™ Module A can control two 0-10 V valve motors: one valve motor for any heating element located in the inlet duct and one valve motor for any cooling element located in the inlet duct. The valve motors are controlled by a 0-10 V signal.

- The heating valve should be connected to terminals 24, 25 & 26 (see fig. 16)
- The cooling valve should be connected to terminals 27, 28 & 29 (see fig. 16A)

### Connection of temperature sensor in inlet duct (see figs 3 & 15)

It is possible to connect a sensor located in the inlet duct. The actual value recorded by the sensor is shown on the zone's webpage. The temperature is used to control inlet temperature.

**NOTE!** The sensor must be of PT1000 type.

- The sensor should be connected to terminals 30 & 31 (see fig. 15).

### Display “G” (see figs 3 and 17)

OJ GreenZone™ Module A is equipped with a 2-digit display (fig. 3, pos. “G”).

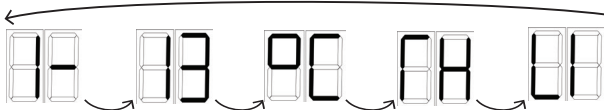
The display indicates various things as shown in table 3 below.

The display alternates (flashes) between the activated functions and readouts.

Example:

If the OJ GreenZone™ Module A is configured as follows:

- Connected to OJ GreenZone™ Master 1
- Allocated zone 13 by OJ GreenZone™ Master
- A PT1000 temperature sensor is installed in the inlet duct
- A combined temperature/humidity sensor (HTH-6202) is installed in the exhaust duct



- the display will alternate between the following readouts:

**Table 3**

Display readout	Comments
1-	Actual OJ GreenZone™ Module A is integrated in zone section 1 (ZoneMaster1)
2-	Actual OJ GreenZone™ Module A is integrated in zone section 2 (ZoneMaster2)
3-	Actual OJ GreenZone™ Module A is integrated in zone section 3 (ZoneMaster3)

4-	Actual OJ GreenZone™ Module A is integrated in zone section 4 (ZoneMaster4)
5-	Actual OJ GreenZone™ Module A is integrated in zone section 5 (ZoneMaster5)
13	Shows the actual number (address) of the OJ GreenZone™ Master (interval: 1-25)
°C	Temperature sensor connected correctly (inlet, exhaust or room sensor)
CO	CO2 sensor connected correctly (exhaust or room sensor)
RH	Humidity sensor (HTH-6202) connected correctly (exhaust sensor)
RP	Room control panel OJ-RPT-20T correctly connected
LI	Two temperature sensors connected
SC	Sensor short-circuited
9	Zone section number not yet allocated by OJ GreenZone™ Master
99	Zone number (address) not yet allocated by OJ GreenZone™ Master
SU	Software update in progress

#### Connector “H” – Modbus sensor (°C, %rh or VOC) (see figs 3 and 18)

OJ GreenZone™ Module A is equipped with a Modbus input for connecting Modbus sensors (figs 3 and 18).

It is possible to connect a sensor of the following type from OJ Electronics:

- OJ-RPT-20T (Room control panel with built-in temperature sensor)
- TTH-6202 (Duct temperature sensor)
- TTH-6040-W (Room temperature sensor)
- VTH-6202 (VOC sensor)
- HTH-6202 (combined temperature and humidity sensor)

In larger rooms where you want to measure the temperature in several places, the maximum number that can be mounted is 1 x OJ-RPT-20T, 1 x TTH-6040-W with the dial in position 1, and 1 x TTH-6040-W with the dial in position 2. The Zone Module calculates and uses the average temperature automatically from these sensors. The terminal layout of the RJ12 connector is shown in fig. 6.

**Connector “J” – “Modbus in” entry port** (see figs 3 and 5)

OJ GreenZone™ Module A is equipped with a “Modbus in” (see figs 3 and 5) and a “Modbus out” (see figs 3 and 13) RJ12 connector for integration in the zone-control system with a standard Modbus RJ12 cable (see fig. 4). The terminal layout of the RJ12 Modbus connector is shown in fig. 6. The max. permissible distance between two successive OJ GreenZone™ Module A units is 100 m. The max. permissible total cascade length of Modbus cable between all OJ GreenZone™ Module A units is 2500 m. The Modbus cable must be as shown in fig. 7. Modbus communication is OK when the yellow LED flashes regularly.

**Connector “K” – Voltage supply** (see figs 8 and 9)

OJ GreenZone™ Module A must be equipped with a 24 VAC power supply (see figs 8 and 9).

The 24 VAC connector is equipped with looping terminals to allow looping to max. two other OJ GreenZone™ Module A units. The exit terminals (terminals 3 and 4) are short-circuit protected.

This means that the OJ GreenZone™ Module A will continue to function even if the exit terminals (3 and 4) are short-circuited. It will therefore only be the subsequent OJ GreenZone™ Module A units that fail and become disconnected if terminals 3 and 4 are short-circuited. The recommended cross-sectional wire area is 2x1.5 mm<sup>2</sup>. Modbus communication is OK when the green LED flashes regularly.

**NOTE!**

The short-circuit protection means there is a limit to the load that can be placed on the exit terminals (3 and 4). As a result, no more than two OJ GreenZone™ Module A units may be connected to exit terminals 3 and 4 (see fig. 9).

**Connector “L” – PT1000 temperature sensor, humidity sensor and CO2 sensor** (see figs 3, 10 and 10A)

OJ GreenZone™ Module A is equipped with inputs for analogue sensors (see figs 3, 10 and 10A).

The inputs allow connection of a standard PT1000 sensor and a CO2 sensor with a standard 0-10 VDC output signal = 0-2000 ppm.

The sensors should be connected to the RJ12 connector marked “L” in fig. 3.

*Note: This connector is NOT a Modbus connector.*

Room temp.

sensor:

The PT1000 room temperature sensor can be placed in the exhaust duct or in the room. It connects to screw terminal 9 and 10.  
(See fig. 10).



0-10 VDC input

for CO2 sensor: The CO2 sensor can be installed in the exhaust duct or in the room. It should be connected to pins 5, 6 and 8 of the RJ12 connector (see fig. 10).

0-10 VDC input

for humidity sensor: The humidity sensor can be installed in the exhaust duct or in the room itself. It should be connected to screw terminals 6, 7 and 8 (see fig. 10A).

If no Modbus temperature sensor is connected to the connector marked "H", the PT1000 sensor connected to this input ("L") will automatically be configured as an exhaust/room sensor.

If a Modbus temperature sensor is connected to the connector marked "H", the Modbus sensor values have higher priority than that of the humidity sensor on terminal 7 and the temperature sensor on terminal 10.

#### **Connector "M" – Temperature offset (°C)** (see figs 3 and 11)

OJ GreenZone™ Module A is equipped with an inlet for the connection of a control unit for user-determined offset in room temperature (see figs 3 and 11). Via the web user-interface, the temperature offset can be set to either  $\pm 3$  °C or  $\pm 5$  °C.

The temperature offset potentiometer ETFWP-998 from OJ Electronics has both PT-1000 room sensor and potentiometer.

#### **NOTE!**

If an alternative potentiometer is used, the potentiometer resistance must be min. 4.7 kΩ and max. 22 kΩ.

#### **Connector "N" – Window contact, frostalarm and PIR sensor** (see fig. 3)

OJ GreenZone™ Module A is equipped with digital inputs for the connection of window contact, frost thermostat and PIR sensor. On the overview diagram (fig. 3), the input terminals are marked "N".

#### **Frost thermostat**

The frost thermostat should be attached physically to the heating element. Suitable thermostats are Danfoss type KP61, Thermokon type TFR or TFR-R, or similar thermostat with bulb or capillary tube. The bulb or capillary tube should be attached to the heating element in the air flow on the hot side of the element. If the frost thermostat is activated (digital input opens), the installed heating valve will be forced to open 100 %.

The frost thermostat should be connected electrically as shown in fig. 12. The NC contact of the frost thermostat should be used so that the input is active when there is no danger of frost. The input is factory-equipped with a jumper.

### **Window contact**

The window contact should be physically attached to the window or windows to be monitored. If several windows are to be monitored, the window contacts should be connected in series. If the windows are opened (the window contact is opened), the heating and cooling valves will be forcibly closed. The VAV damper can be set to close. The window contact(s) should be electrically connected as shown in fig. 20. The NO contact of the window contact(s) should be used so that the input is active when the window(s) is(are) closed. The input is factory-equipped with a jumper.

### **PIR sensor/motion detector**

The PIR sensor should be positioned in the area of the room where motion is to be detected. If several PIR sensors are to be used, they should be connected in parallel. If the PIR sensor(s) detect motion in the room, the zone will be activated and controlled in accordance with the set operating parameters.

The PIR sensor(s) should be electrically connected as shown in fig. 21.

The NO contact of the PIR sensor(s) should be used so that the input is active when motion is detected in the room.

### **Connector “P” – “Modbus out” exit port (see figs 3 and 13)**

OJ GreenZone™ Module A is equipped with a “Modbus in” (see figs 3 and 5) and a “Modbus out” (see figs 3 and 13) RJ12 connector for integration in the zone-control system with a standard Modbus RJ12 cable (see figs 4, 5 and 13). The terminal layout of the RJ12 Modbus connector is shown in fig. 6. The Modbus cable must be as shown in fig. 7. Modbus communication is OK when the green LED flashes regularly.

### **Addressing OJ GreenZone™ Module A**

The OJ GreenZone™ Module A is addressed automatically by the OJ GreenZone™ Master to which it is connected.

The address is shown on the display of the OJ GreenZone™ Module A (see table 3 in these instructions). Further information about addressing is found in the OJ GreenZone™ Master manual and in OJ Green Zone installer instructions.

### Safeguarding data in OJ GreenZone™ Module A

In the event of communication faults and/or power failure to the OJ GreenZone™ Module A, all data will be saved. When communication and/or the power supply has been re-established, the OJ GreenZone™ Module A will automatically resume normal operation.

### TECHNICAL DATA

Supply voltage	24 VAC +/-10 % (see figs 8 and 9)
Consumption, no load	< 2.3 VA
Consumption with max. load	< 52 VA
24V AC output, short-circuit protected	< 24 VA
Ambient temperature, operation	-20/+40 °C (transient -30/+50 °C)
Ambient temperature, storage	-30/+70 °C
Modbus, cascade connections	.2 x RJ12 connectors (6P6C)
Actuator connections	4 x 3 x 1.5 mm2 screw terminals
Actuator output	.4 x 0-10 VDC
Actuator supply	4 x 24 VDC 0.25A
Modbus, sensor connections	.1 x RJ12 connector (6P6C)
Sensor power	1 x 24V DC 0.25A
Modbus communication	RS-485, 38.4 kBaud, 24 VDC
Modbus address, OJ Zone Module	Self-configuring
Digital inputs	.2 x built-in pull-up
Sensor supply	1 x 24 VDC 0.1A
Sensor inputs	2 x PT1000
Voltage input	2 x 0-10 VDC
Measuring range, humidity	0-100 % RH
Measuring range, temperature	-40 - 100 °C
Measurement range, CO <sub>2</sub>	.0 - 2000 ppm
Enclosure rating	.IP20
Dimensions	(see fig. 2)
Weight	.270 g

### SERVICE AND MAINTENANCE

OJ GreenZone™ Module A contains no components that require service or maintenance.

Please contact your supplier if faults arise.

## DISPOSAL AND ENVIRONMENTAL PROTECTION

Help protect the environment by disposing of the packaging and redundant products in an environmentally responsible manner.

### Product disposal



Products marked with this symbol must not be disposed of together with household refuse but must be delivered to a waste collection centre in accordance with applicable local regulations.

## OJ ELECTRONICS A/S

Stenager 13B · DK-6400 Sønderborg  
Tel. +45 73 12 13 14 · Fax +45 73 12 13 13  
oj@ojelectronics.com · www.ojelectronics.com

## CE MARKING

2004/108/EC EMC DIRECTIVE / The European parliament and of the council of 15 December 2004 on the approximation of the laws of the Member States relating to electromagnetic compatibility and repealing Directive 89/336/EEC.

2006/95/EC LOW VOLTAGE DIRECTIVE / Council Directive 2006/95/EC of 12 December 2006 on the harmonization of the laws of Member States relating to electrical equipment designed for use within certain voltage limits.

## Applied standards

EN 60730-1 2000 / Automatic electrical controls for household and similar use  
Part 1: General requirements.

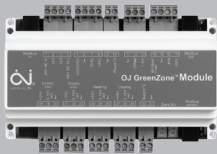
## TROUBLESHOOTING

Symptom	Cause	Action
OJ GreenZone™ Module A inoperative – no light in display	No power	Check that there is 24 VAC on entry terminals 1 and 2 and exit terminals 3 and 4. If there is no voltage on exit terminals 3 and 4, the components supplied from these terminals (3 and 4) have either short-circuited or are overloaded.
	Defective OJ GreenZone™ Module A	Replace OJ GreenZone™ Module A.

Symptom	Cause	Action
No communication to OJ GreenZone™ Module A	Poor or no connection in Modbus cable	Check Modbus cable. Configuration of Modbus cable and connector is shown in figs 6 and 7. Repair or replace defective Modbus cable.
	Incorrect connection of Modbus cable	Check that the Modbus communication cable is connected to the "Modbus in" connector and looped to the next OJ GreenZone™ Module A from the "Modbus out" connector. (See figs 4, 5 and 13.)
No communication to OJ GreenZone™ Module A	Defective OJ GreenZone™ Module A	Replace OJ GreenZone™ Module A.
Display shows "9"	OJ GreenZone™ Module A has not yet received information on section number from OJ GreenZone™ Master	Wait until OJ GreenZone™ Master has allocated a section number to OJ GreenZone™ Module A.
	Poor or no connection in Modbus cable	Check Modbus cable. Configuration of Modbus cable and connector is shown in figs 6 and 7. Repair or replace defective Modbus cable.
	Defective OJ GreenZone™ Master	Replace OJ GreenZone™ Master.
	Defective OJ GreenZone™ Module A	Replace OJ GreenZone™ Module A.
Display shows "99"	OJ GreenZone™ Module A has not yet received information on zone number from OJ GreenZone™ Master	Wait until OJ GreenZone™ Master has allocated a zone number to OJ GreenZone™ Module A.
	Poor or no connection in Modbus cable	Check Modbus cable. Configuration of Modbus cable and connector is shown in figs 6 and 7. Repair or replace defective Modbus cable.
	Defective OJ GreenZone™ Master	Replace OJ GreenZone™ Master.
	Defective OJ GreenZone™ Module A	Replace OJ GreenZone™ Module A.

Symptom	Cause	Action
Display shows "SC"	Sensor short-circuited	Check the connected PT1000 sensor. The sensor should be connected to the RJ12 connector marked "L" in fig. 3 – correct connection is shown in fig. 10. Check sensor resistance. The measured resistance should be approximately 1078 $\Omega$ at 20°C.
VAV damper or heating/cooling valve inoperative	No voltage supply to OJ GreenZone™ Module A	Check that there is 24 VAC on entry terminals 1 and 2 and exit terminals 3 and 4. If there is no voltage on exit terminals 3 and 4, the components supplied from these terminals (3 and 4) have either short-circuited or are overloaded.
	Actuator supply terminals lack 24 VDC: (+18- $\downarrow$ 20) (+21- $\downarrow$ 23) (+24- $\downarrow$ 26) (+27- $\downarrow$ 29)	Remove the wires connected to the terminals and check whether there is voltage across the terminals. If, once the load has been removed, voltage can be measured across the terminals, it is highly likely that the wires connecting the actuator are short-circuited. Remove the short circuit and reconnect the actuator. Check the voltage again.
	Defective OJ GreenZone™ Module A	Remove the wires connected to the terminals and check whether there is voltage across the terminals. If, once the load has been removed, voltage cannot be measured across the terminals, it is highly likely that the OJ GreenZone™ Module A is defective. Replace OJ GreenZone™ Module A.
	Fault in the electrical connections	Check electrical connections.
	Defective valve or VAV actuator	Replace actuator.

Symptom	Cause	Action
Sensor for inlet temperature shown incorrectly	Fault in the electrical connections	Check electrical connections.
	Defective sensor: short-circuited or disconnected	Check sensor. Remove the wires connected to terminals 30 & 31 and check the resistance using an ohmmeter. If the sensor is disconnected, the resistance will be infinitely high, while a resistance of approx. 0.0 ohm indicates that the sensor is short-circuited. If the sensor is OK, a resistance of approx. 1078 ohm will be measured at a sensor temperature of 20°C. Replace the sensor if defective.
	Incorrect sensor type	The sensor must be of PT1000 type, meaning that the ohmic value of the sensor is approx. 1078 ohm at 20°C.
	Defective OJ GreenZone™ Module A	Replace OJ GreenZone™ Module A.
Frost alarm inoperative	Frost thermostat connected incorrectly	Check cables and connections (see fig. 12).
	Defective OJ GreenZone™ Module A	Replace OJ GreenZone™ Module A.
Frost alarm inoperative	Incorrect web configuration of frost thermostat	See installer instructions for correct input configuration.
Window contact inoperative	Window contact connected incorrectly	Check cables and connections (see fig. 12).
	Defective OJ GreenZone™ Module A	Replace OJ GreenZone™ Module A.
	Incorrect web configuration of window contact	See installer instructions for correct input configuration.
PIR sensor inoperative	PIR sensor connected incorrectly	Check cables and connections (see fig. 12).
	Defective OJ GreenZone™ Module A	Replace OJ GreenZone™ Module A.
Temperature offset inoperative	Offset potentiometer connected incorrectly	Check cables and connections (see fig. 11).
	Defective OJ GreenZone™ Module A	Replace OJ GreenZone™ Module A.



Deutsch

## BILDUNGEN

Folgende Abbildungen finden sich ganz hinten in der Anleitung:

- Abb. 1: OJ GreenZone™ Module A
- Abb. 2: Maßskizze
- Abb. 3: Anschlussübersicht OJ GreenZone™ Module A
- Abb. 4: Anschluss der Modbus-Kommunikation
- Abb. 5: „Modbus-Eingang“-Terminal
- Abb. 6: Modbus RJ12-Stecker
- Abb. 7: Modbuskabel Anschlüsse
- Abb. 8: Anschluss Spannungsversorgung
- Abb. 9: Schleifenklemmen für Spannungsversorgung
- Abb. 10: Anschluss PT-1000- und CO<sub>2</sub>-Fühler
- Abb. 10A: Anschluss des Feuchtfühlers
- Abb. 11: Anschluss Temperaturschieber
- Abb. 12: Anschluss des Frostthermostats
- Abb. 13: „Modbus-Ausgang“-Terminal
- Fig. 14: Anschluss der VVS-Stellantriebe Abluft
- Fig. 14A: Anschluss der VVS-Stellantriebe Zuluft
- Abb. 15: Anschluss des PT-1000-Fühlers, Zuluft
- Fig. 16: Anschluss Heizventil-Stellantriebe
- Fig. 16A: Anschluss Kühlventil-Stellantriebe
- Abb. 17: 2-stelliges Display
- Abb. 18: „Modbus-Fühler“ RJ12-Stecker
- Abb. 19: Konfigurationsübersicht
- Abb. 20: Anschluss Fensterkontakt
- Abb. 21: Anschluss PIR-Melder

## ALLGEMEINES

Das OJ GreenZone™ Module A ist eine elektronische Steuerung (Regler) für VVS-Zonen in Lüftungsanlagen. Das OJ GreenZone™ Module A umfasst alle die Funktionen, die zur energie- und komfortoptimalen Steuerung einer VVS-Zone erforderlich sind.



**BESCHREIBUNG**

Das OJ GreenZone™ Module A steuert VVS-Klappen, Temperatur, CO<sub>2</sub> und Luftfeuchtigkeit im Raum, abhängig davon, welche Fühler an die Einheit angeschlossen sind.

Das OJ GreenZone™ Module A ist selbst konfigurierend. Dazu führt die Steuerung einen Test der angeschlossenen Einheiten durch und regelt nach Abschluss der Installation und Aktivierung des OJ GreenZone™ Module A auf Basis der angeschlossenen Komponenten, Fühler, Stellglieder u. a. m. die Zone optimal.

Einstellungen und Bedienung erfolgt über den integrierten Webserver; der Zugriff auf den Webserver erfolgt über den angeschlossenen OJ GreenZone™ Master.

An jeden OJ GreenZone™ Master können max. 25 Stk. OJ GreenZone™ Module A angeschlossen werden.

Das OJ Green Zone™ Modul A ist mit 4 × 0-10 V= für Ventil- und Schiebermotoren ausgestattet.

**PRODUKTPROGRAMM****Produkte von OJ Electronics**

Typ	Produkt
OJ-ZoneMaster	Master-Modul zur Steuerung von max. 25 Stk. OJ-ZoneModule-A
OJ-ZoneModule-A	Zonenmodul zur Steuerung einer Zone
OJ-RPT-20T	Raumbedienfeld mit Touchscreen
TTH-6202	Kanaltemperatur-Messumformer mit Modbus
TTH-6040-W	Raumtemperatur-Messumformer mit Modbus
HTH-6202	Kanal-Feuchtigkeits- und Temperaturfühler mit Modbus
VTH-6202	Kanal-VOC-Fühler mit Modbus (Schadstoffkonzentration)
OJ-Air2PWR80	Spannungsversorgung 2 × 24 V-, 2 × 60 VA
ETT-KH	Abdeckung für OJ-Module-A, Wandmontage
ETFPW-998	PT-1000-Raumfühler mit Rad zur Einstellung des Temperatur-Sollwerts
ETF-1098L1-4	PT-1000-Kanalfühler (°C)
ETF-998-H	PT-1000-Raumfühler (°C), 80 × 80 mm

**Produkte anderer Hersteller**

Typ	Produkt
Belimo Typ LMV-D3, NMV-D3	VVS-Klappe 0–10 V
Belimo Typ CQ24A-SR, LR24A, NR24A, SR24A	Heizventil 0–10 V
Belimo Typ CQ24A-SR, LR24A, NR24A, SR24A	Kühlventil 0–10 V

Typ	Produkt
050-8-0004 eSENSE Duct	CO <sub>2</sub> -Fühler für Kanalmontage
Thermokon TFR 1,8, TFR 1,8-R	Frostthermostat mit 1,8 m Kapillarrohr
Thermokon WRF061 / RDI	Bewegungsmelder für Aufputzmontage
Telefonkabel, Typ: TD6006 Schwarz	6-Leiter-Telefonkabel, Fabrikat INEC
TE Connectivity Telefonstecker, RJ12	Modular-Stecker 6/6, RJ12 Standardstecker

## INSTALLATION

Das OJ GreenZone™ Module A ist in einem der Klassifikation des Installationsorts entsprechendem Gehäuse auf einer standardmäßigen 35 mm DIN-Schiene zu installieren (siehe Abmessungen in Abb. 2). Schutzart ist IP20; ETT-KH von OJ Electronics ist als Abdeckung dafür geeignet. Geeignetster Standort ist in der Regel in der Nähe der in der VVS-Zone angeschlossenen Komponenten, Ventile, Fühler u. a. m. Für die physische Konfiguration siehe Abb. 19.

Eine optimale Platzierung wäre z. B. im Zwischenraum über einer abgehängten Decke. Das OJ GreenZone™ Module A ist mit 24 V~ ±15 % zu versorgen, und deshalb zu diesem Zweck mit Schleifenklemmen (max. 1,5 mm<sup>2</sup>) ausgestattet (siehe Abb. 8 und 9). Die übrigen Anschlüsse sind eine Kombination von RJ12-Steckverbindungen und Schraubklemmen für Leiter mit max. 1,5 mm<sup>2</sup> (siehe Abb. 3).

### Anschlüsse und Kennzeichnungen (siehe Abb. 1 und 3)

In Abb. 3 sind alle Anschlüsse mit einem Buchstaben (A-P) gekennzeichnet.

Siehe folgende Beschreibung der elektrischen Anschlüsse für jede einzelne Komponente, Ein- und Ausgänge und andere Signale und Kennzeichnungen am OJ GreenZone™ Module A.

### Anschluss VVS-Klappenstellantriebe (siehe Abb. 3, 14 u. 14A)

Das OJ GreenZone™ Module A kann zwei VVS-Klappen, eine VVS-Klappe im Abluft- und eine VVS-Klappe im Zuluftkanal, steuern. VVS-Klappenstellantriebe werden mit einem 0-10V-Signal gesteuert.

- Der VVS-Klappenstellantrieb im Abluftkanal der Zone ist an den Klemmen 18, 19 u. 20 anzuschließen (siehe Abb. 14).
- Der VVS-Klappenstellantrieb im Zuluftkanal der Zone ist an den Klemmen 21, 22 u. 23 anzuschließen (siehe Abb. 14A).

### Anschluss Ventilmotoren für Heizungs- und Kühlsystem (siehe Abb. 3, 16 u. 16A)

Das OJ GreenZone™ Module A kann 2 0-10V-Ventilmotoren, einen Ventilmotor für eine evtl. Heizfläche und einen Ventilmotor für eine evtl. Kühlfläche, angebracht im Zuluftkanal, steuern.

Ventilmotoren werden mit einem 0-10V-Signal gesteuert.

- Das Heizventil ist an den Klemmen 24, 25 u. 26 anzuschließen (siehe Abb. 16).
- Das Kühlventil ist an den Klemmen 27, 28 u. 29 anzuschließen (siehe Abb. 16A).

### Anschluss Temperaturfühler für Zuluft (siehe Abb. 3 und 15)

Der Anschluss eines Fühlers im Zuluftkanal ist möglich. Der aktuelle Fühlerwert wird auf der Website der Zone angezeigt. Die Temperaturmessung wird zur Regelung der Zulufttemperatur benutzt.

**BITTE BEACHTEN!** Als Fühler ist Typ PT-1000 anzuwenden.

- Der Fühler ist an den Klemmen 30 u. 31 anzuschließen (siehe Abb. 15)

### Display „G“ (siehe Abb. 3 und 17)

Das OJ GreenZone™ Module A ist mit einem 2-stelligen Display ausgestattet (Abb. 3, Pkt. „G“)

Für die verschiedenen Anzeigen am Display siehe untenstehende „Tabelle 3“.

Das Display wechselt (blinkt) zwischen den aktivierten Funktionen und Anzeigen.

Beispiel:

Wenn das OJ GreenZone™ Module A z. B. wie folgt konfiguriert ist:

- Angeschlossen an OJ GreenZone™ Master 1
- am OJ GreenZone™ Master Zone 13 zugewiesen wurde
- ein PT-1000-Temperaturfühler im Zuluftkanal montiert ist
- ein kombinierter Temperatur-/Feuchtefühler im Abluftkanal montiert ist (HTH-6202)



- wechselt das Display zwischen den folgenden Anzeigen:

**Tabelle 3**

Displayanzeige	Anmerkung
1-	Aktuell ist das OJ GreenZone™ Module A in Zonenabschnitt 1 (ZoneMaster1) integriert
2-	Aktuell ist das OJ GreenZone™ Module A in Zonenabschnitt 2 (ZoneMaster2) integriert

Displayanzeige	Anmerkung
3-	Aktuell ist das OJ GreenZone™ Module A in Zonenabschnitt 3 (ZoneMaster3) integriert
4-	Aktuell ist das OJ GreenZone™ Module A in Zonenabschnitt 4 (ZoneMaster4) integriert
5-	Aktuell ist das OJ GreenZone™ Module A in Zonenabschnitt 5 (ZoneMaster5) integriert
13	Zeigt die aktuelle Nummer (Adresse) am OJ GreenZone™ Master (Bereich: 1 - 25) an
°C	Temperaturfühler korrekt angeschlossen (Zuluft-, Abluft- oder Raumfühler)
CO	CO <sub>2</sub> -Fühler korrekt angeschlossen (Abluft- oder Raumfühler)
FH	Feuchtefühler (HTH-6202) korrekt angeschlossen (Abluftfühler)
RP	Raumbedienfeld OJ-RPT-20T korrekt angeschlossen
LI	2 Temperaturfühler angeschlossen
SC	Fühler kurzgeschlossen
9	Zonenabschnittnummer vom OJ GreenZone™ Master noch nicht zugeteilt
99	Zonennummer (-adresse) vom OJ GreenZone™ Master noch nicht zugeteilt
SU	Software-Aktualisierung läuft

#### **Anschluss von „H“ – Modbus-Fühler (°C, %rF, VOC) (siehe Abb. 3 und 18)**

Das OJ GreenZone™ Module A ist mit einem Modbus-Eingang zum Anschluss von Modbus-Fühlern ausgestattet (Abb. 3 und 18).

Folgende Fühlertypen von OJ Electronics können angeschlossen werden:

- OJ-RPT-20T (Raumbedienfeld mit integriertem Temperaturfühler)
- TTH-6202 (Kanaltemperaturfühler)
- TTH-6040-W (Raumtemperaturfühler)
- VTH-6202 (VOC-Fühler)
- HTH-6202 (kombinierter Temperatur- und Feuchtefühler)

Wenn in größeren Räumen an mehreren Stellen die Temperatur gemessen werden soll, können maximal 1 x OJ-RPT-20T, 1 x TTH-6040-W mit Rad in Position 1 und 1 x TTH-

6040-W mit Rad in Position 2 verbaut werden. Das Zonenmodul berechnet und verwendet automatisch die Durchschnittstemperatur dieser Fühler. Die Klemmenbelegung im RJ12-Stecker ist in Abb. 6 dargestellt.

#### **Anschluss von „J“ – „Modbus-Eingang“** (siehe Abb. 3 und 5)

Das OJ GreenZone™ Module A ist mit einem „Modbus Eingang“ (siehe Abb. 3 und 5) und einem „Modbus-Ausgang“ (siehe Abb. 3 und 13) mit RJ12-Steckverbindung ausgestattet und in die Zonensteuerungsanlage mit einem Standard-Modbus-RJ12-Kabel integriert (siehe Abb. 4). Die Klemmenbelegung im RJ12-Modbusstecker ist in Abb. 6 ersichtlich. Die max. Kabellänge zwischen 2 OJ-Green-Zone-Module-M-Einheiten ist 100 m. Die max. Gesamtlänge von Modbus-Kaskadenkabeln zwischen OJ-Green-Zone-Module-M-Einheiten ist 2500 m. Modbus-Kabel sind wie in Abb. 7 dargestellt auszuführen. Blinkt die gelbe Leuchtdiode regelmäßig, ist die Modbus-Kommunikation OK.

#### **Anschluss von „K“ – Spannungsversorgung** (siehe Abb. 8 und 9)

Das OJ GreenZone™ Module A ist mit 24 V~ zu versorgen (siehe Abb. 8 und 9). Der 24V~-Anschluss ist mit Schleifenklemmen zur weiteren Verschleifung mit max. 2 Stk. OJ GreenZone™ Module A ausgestattet. Die Ausgangsklemmen (Klemme 3 und 4) sind kurzschlussfest.

Damit ist die Funktion des OJ GreenZone™ Module A selbst bei Kurzschluss auf den Ausgangsklemmen (3 und 4) gewährleistet. Daher fallen nur die nachfolgenden OJ-Green-Zone-Module-M-Einheiten aus und werden abgekoppelt, sollte ein Kurzschluss an den Klemmen 3 und 4 auftreten. Empfohlener Leiterquerschnitt ist  $2 \times 1,5 \text{ mm}^2$ . Blinkt die grünen Leuchtdiode regelmäßig, ist die Modbus-Kommunikation OK.

#### **ACHTUNG!**

Die Kurzschlussfestigkeit begrenzt die Belastbarkeit der Ausgangsklemmen (3 und 4). Max. 2 Stk. OJ GreenZone™ Module A dürfen an den Ausgangsklemmen 3 und 4 angeschlossen werden (siehe Abb. 9).

#### **Anschluss des „L“-PT-1000-Temperatur-, Feuchte- und CO2-Fühlers** (siehe Abb. 3, 10 und 10a).

Das OJ Green Zone™ Module A verfügt über Eingänge für analoge Fühler (siehe Abb. 3, 10 und 10a). Angeschlossen werden können ein standardmäßiger PT-1000-Fühler sowie ein CO2-Fühler mit einem Standard-Ausgangssignal 0-10 V = 0-2000 ppm.

Die Fühler sind an den in Abb. 3 mit „L“ gekennzeichneten RJ12-Stecker anzuschließen.

*Bitte beachten: Dies ist KEIN Modbus-Stecker.*

Raumtemperaturfühler: Der PT-1000-Raumtemperaturfühler kann im Abluftkanal oder im Raum platziert werden. Er ist an die Schraubklemmen 9 und 10 anzuschließen (siehe Abb. 10).

0-10 V=-Eingang  
für CO<sub>2</sub>-Fühler:

Der Raumtemperaturfühler kann ein im Abluftkanal oder im Raum platzierter Fühler sein. Er ist an den Schraubklemmen 5, 6 und 8 anzuschließen (siehe Abb. 10).

0-10 V=-Eingang  
für Feuchtefühler:

Der Feuchtefühler kann im Abluftkanal oder Raum platziert werden. Er ist an die Schraubklemmen 6, 7 und 8 anzuschließen (siehe Abb. 10a).

Ist an dem mit „H“ gekennzeichneten Stecker kein Modbus-Temperaturfühler montiert, wird ein an Eingang „L“ angeschlossener PT-1000-Fühler automatisch als Abluftfühler/Raumfühler konfiguriert.

Ist an dem mit „H“ gekennzeichneten Stecker ein Modbus-Temperaturfühler montiert, haben Modbus-Fühlerwerte eine höhere Priorität als der an Klemme 7 angeschlossene Feuchtefühler oder der an Klemme 10 angeschlossene Temperaturfühler.

#### **Anschluss von „M“ – Temperaturverschiebung (°C)** (siehe Abb. 3 und 11)

Das OJ GreenZone™ Module A ist mit einem Eingang zum Anschluss einer Bedienungseinheit ausgestattet, die es dem Benutzer ermöglicht die Raumtemperatur zu ändern (siehe Abb. 3 und 11). Auf der Web-Schnittstelle kann die Bandbreite der Temperaturverschiebung auf  $\pm 3$  °C oder  $\pm 5$  °C eingestellt werden.

Der Temperaturschieber ETFWP-998 von OJ Electronics verfügt sowohl über einen PT-1000-Raumfühler als auch ein Potentiometer.

#### **ACHTUNG!**

Werden alternative Potentiometer angewandt, muss der Potentiometerwiderstand min. 4,7 k $\Omega$  und max. 22 k $\Omega$  betragen.

#### **Anschluss von „N“ – Fensterkontakt, Frostthermostat und PIR-Melder**

(siehe Abb. 3)

Das OJ GreenZone™ Module A ist mit digitalen Eingängen zum Anschluss von Fensterkontakt, Frostthermostat und PIR-Melder ausgestattet. In der Anschlussübersicht (Abb. 3) sind die Eingangsklemmen mit „N“ gekennzeichnet.

#### **Frostthermostat**

Der Frostthermostat wird physisch auf der Heizfläche montiert. Als Frostthermostat können Danfoss Typ KP61, Thermokon Typ TFR oder TFR-R oder ähnliche Produkte

mit Kolben oder Kapillarrohr eingesetzt werden. Kolben oder Kapillarrohr sind auf der Heizfläche im Luftstrom auf deren warmer Seite zu befestigen. Wird der Frostthermostat aktiviert (Digitaleingang öffnet), erfolgt Zwangsöffnung des montierten Heizventils zu 100 %.

Elektrisch ist der Frostthermostat wie in Abb. 12 dargestellt anzuschließen. Der Öffner-Kontakt des Frostthermostats ist anzuwenden, so dass bei Frostgefahr der Eingang geschlossen ist. Der Eingang ist werkseits mit einer Kurzschlussbrücke versehen.

### **Fensterkontakt**

Der Fensterkontakt ist physisch auf dem Fenster oder den Fenstern das/die zu überwachen ist/sind zu montieren. Bei Überwachung mehrerer Fenster, sind die Fensterkontakte in Serie zu verbinden. Werden die Fenster geöffnet (Fensterkontakte öffnen), erfolgt Zwangsschließung der Heiz- und Kühlventile. Die VVS-Klappe lässt sich darauf einstellen zu schließen.

Elektrisch ist der Fensterkontakt (sind die Fensterkontakte) wie in Abb. 20 dargestellt anzuschließen. Der Schließer-Kontakt des Fensterkontakts ist anzuwenden, so dass bei geschlossenem Fenster/geschlossenen Fenstern der Eingang geschlossen ist. Der Eingang ist werkseits mit einer Kurzschlussbrücke versehen.

### **PIR-Melder/Bewegungsmelder**

Der PIR-Melder ist an der Stelle des Raums zu montieren, an der Bewegung erfasst werden soll. Werden PIR-Melder angewandt, sind die PIR-Melder parallel zu verbinden. Wenn der PIR-Melder/die PIR-Melder Bewegung erfasst/erfassen, wird die Zone aktiv und gem. den eingestellten Betriebsparametern geregelt.

Elektrisch ist der PIR-Melder/sind die PIR-Melder wie in Abb. 21 dargestellt anzuschließen.

Der Schließer-Kontakt des PIR-Melders/der PIR-Melder ist anzuwenden, so dass bei erfasster Bewegung im Raum der Eingang geschlossen ist.

### **Anschluss an „P“ – „Modbus-Ausgang“ (siehe Abb. 3 und 13)**

Das OJ GreenZone™ Module A ist mit einem „Modbus Eingang“ (siehe Abb. 3 und 5) und einem „Modbus-Ausgang“ (siehe Abb. 3 und 13) mit RJ12-Steckverbindung ausgestattet und in die Zonensteuerungsanlage mit einem Standard-Modbus-RJ12-Kabel integriert (siehe Abb. 4, 5 und 13). Die Klemmenbelegung im RJ12-Modbusstecker ist in Abb. 6 ersichtlich. Modbus-Kabel sind wie in Abb. 7 dargestellt auszuführen. Blinkt die grünen Leuchtdiode regelmäßig, ist die Modbus-Kommunikation OK.

### **Adressierung des OJ GreenZone™ Module A**

Die Adressierung des OJ GreenZone™ Module A erfolgt automatisch vom angeschlossenen OJ GreenZone™ Master.

Die Adresse wird im Display am OJ GreenZone™ Module A angezeigt (siehe Tabelle 3 in dieser Anleitung). Weitere Informationen zur Adressierung finden sich im Handbuch des OJ GreenZone™ Master sowie der Installationsanleitung für OJ Green Zone.

### Sicherung der Daten im OJ GreenZone™ Module A

Bei Ausfall der Kommunikation und/oder Unterbrechung der Stromversorgung zum OJ GreenZone™ Module A werden alle Daten gesichert. Nach Wiederherstellung der Kommunikation und/oder der Stromversorgung startet der OJ GreenZone™ Module A wieder im Normalbetrieb.

### TECHNISCHE DATEN

Spannungsversorgung	24 V~ ±10 % (siehe Abb. 8 und 9)
Leistungsaufnahme, Nulllast	< 2,3 VA
Leistungsaufnahme, Volllast	< 52 VA
24-V-AC-Ausgang, geschützt gegen Kurzschluss	< 24 VA
Umgebungstemperatur	-20/+40 °C (Betrieb) (kurzzeitig -30/+50 °C)
Umgebungstemperatur, Lagerung	-30/+70 °C
Modbus-Anschlüsse, Kaskadenverbindungen	2 Stk. RJ12-Stecker (6P6C)
Stellantriebsanschlüsse	4 x 3 x 1,5 mm <sup>2</sup> Schraubklemmen
Stellantriebsleistung	4 x 0-10 V DC
Stellantriebsversorgung	4 x 24 V DC 0,25 A
Modbus, Fühleranschlüsse	1 Stk. RJ12-Stecker (6P6C)
Fühlerversorgung	1 x 24 V DC 0,25 A
Modbus-Kommunikation	.RS-485, 38,4 kBaud, 24 V
Modbus-Adresse, OJ Zone Module	Automatische Konfiguration
Digitale Eingänge	2 eingebaute Pull-up
Fühlerversorgung	1 x 24 V DC 0,1 A
Fühlereingänge	2 Stk. PT-1000
Spannungseingang	2 Stk. 0-10 V
Messbereich, Feuchtigkeit	0-100 % RH
Messbereich, Temperatur	-40-100 °C
Messbereich CO <sub>2</sub>	0-2000 ppm
Schutzart	IP20
Abmessungen	(siehe Abb. 2)
Gewicht	270 g

### SERVICE UND WARTUNG

Der OJ GreenZone™ Module A enthält keine Komponenten, die Service oder Wartung erfordern.

Bei Problemen bitte mit dem Zulieferer Kontakt aufnehmen.



## UMWELT UND ENTSORGUNG

Helfen Sie mit, die Umwelt zu schützen durch umweltgerechte Entsorgung der Verpackung und von gebrauchten Produkten.

### Entsorgung des gebrauchten Produkts



Produkte mit dieser Kennzeichnung dürfen nicht als normaler Hausmüll entsorgt werden, sondern sind gemäß den geltenden lokalen Vorschriften gesondert einzusammeln.

## OJ ELECTRONICS A/S

Stenager 13B · DK-6400 Sønderborg

Tel. +45 73 12 13 14 · Fax +45 73 12 13 13

oj@ojelectronics.com · www.ojelectronics.com

## CE-KENNZEICHNUNG

2004/108/EC EMV-RICHTLINIE / Richtlinie 2004/108/EG des Europäischen Parlaments und des Rates vom 15. Dezember 2004 zur Angleichung der Rechtsvorschriften der Mitgliedstaaten betreffend die elektromagnetische Verträglichkeit und zur Aufhebung der Richtlinie 89/336/EWG.

2006/95/EC NIEDERSPANNUNGSRICHTLINIE / Richtlinie 2006/95/EWG des Rates vom 12. Dezember 2006 zur Angleichung der Rechtsvorschriften der Mitgliedstaaten betreffend elektrische Betriebsmittel zur Verwendung innerhalb bestimmter Spannungsgrenzen.

## Angewandte Standards

EN 60730-1 2000 / Automatische elektrische Regel- und Steuergeräte für den Hausgebrauch und ähnliche Anwendungen. Teil 1: Allgemeine Anforderungen.

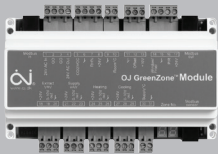
## FEHLERSUCHE

Symptom	Ursache	Behebung
Nichts funktioniert am OJ GreenZone™ Module A – Display leuchte nicht auf	Keine Spannungsversorgung	Kontrollieren, ob 24 V- an den Eingangsklemmen sowie auf den Ausgangsklemmen anliegt. Liegt keine Spannung an den Ausgangsklemmen 3 und 4 an, besteht entweder ein Kurzschluss oder eine Überlastung der Komponenten, die von diesen Klemmen (3 und 4) versorgt werden.
	Defektes OJ GreenZone™ Module A	OJ GreenZone™ Module A austauschen.

Symptom	Ursache	Behebung
Keine Kommunikation mit dem OJ GreenZone™ Module A	Schlechte oder keine Verbindung im Modbus-Kabel	Modbus-Kabel kontrollieren. Die Konfigurierung des Modbus-Kabels und der Modbus-Anschlüsse ist in Abb. 6 und 7 ersichtlich. Reparatur oder Austausch des defekten Modbus-Kabels.
	Modbus-Kabel falsch angeschlossen	Kontrollieren, ob das Modbus-Kommunikationskabel an den „Modbus-Eingang“-Stecker angeschlossen ist und mit dem nächsten OJ GreenZone™ Module A am „Modbus-Ausgang“-Stecker verschleift ist (siehe Abb. 4, 5 und 13).
	Defektes OJ GreenZone™ Module A	OJ GreenZone™ Module A austauschen.
Display zeigt „9“ an	Das OJ GreenZone™ Module A hat noch keine Angaben über die Zonennummer vom OJ GreenZone™ Master empfangen	Abwarten, bis der OJ GreenZone™ Master dem OJ GreenZone™ Module A eine Zonennummer zuteilt
	Schlechte oder keine Verbindung im Modbus-Kabel	Modbus-Kabel kontrollieren. Die Konfigurierung des Modbus-Kabels und der Modbus-Anschlüsse ist in Abb. 6 und 7 ersichtlich. Reparatur oder Austausch des defekten Modbus-Kabels.
	Defekter OJ GreenZone™ Master	OJ GreenZone™ Master austauschen.
	Defektes OJ GreenZone™ Module A	OJ GreenZone™ Module A austauschen.
Display zeigt „99“ an	Das OJ GreenZone™ Module A hat noch immer keine Angaben über die Zonennummer vom OJ GreenZone™ Master empfangen	Abwarten, bis der OJ GreenZone™ Master dem OJ GreenZone™ Module A eine Zonennummer zugeteilt hat.
	Schlechte oder keine Verbindung im Modbus-Kabel	Modbus-Kabel kontrollieren. Die Konfigurierung des Modbus-Kabels und der Modbus-Anschlüsse ist in Abb. 6 und 7 ersichtlich. Reparatur oder Austausch des defekten Modbus-Kabels.
	Defekter OJ GreenZone™ Master	OJ GreenZone™ Master austauschen.

Symptom	Ursache	Behebung
	Defektes OJ GreenZone™ Module A	OJ GreenZone™ Module A austauschen.
Display zeigt „SC“ an	Fühler kurzgeschlossen	Anschluss des PT-1000-Fühlers kontrollieren. Der Fühler ist im mit „L“ (Abb. 3) gekennzeichneten RJ12-Stecker angeschlossen – der korrekte Anschluss ist in Abb. 10 ersichtlich Widerstandsmessung des Fühlers vornehmen Der gemessene Widerstand sollte ca. 1078 Ω bei 20 °C betragen.
Angeschlossene WVS-Klappe oder angeschlossenes Heiz-/Kühlventil funktioniert nicht	Keine Spannungsversorgung zum OJ GreenZone™ Module A	Kontrollieren, ob 24 V~ an den Eingangsklemmen 1 und 2 sowie an den Ausgangsklemmen 3 und 4 anliegt. Liegt keine Spannung an den Ausgangsklemmen 3 und 4 an, ist entweder ein Kurzschluss oder die Komponenten, die von diesen Klemmen (3 und 4) versorgt werden, sind überlastet.
	Keine 24 V= an den Versorgungsklemmen der Stellantriebe: (+18- ↘20) (+21- ↘23) (+24- ↘26) (+27- ↘29)	Die angeschlossenen Leiter von den Klemmen lösen und kontrollieren, ob Spannung an den Klemmen anliegt. Liegt nach Entlastung Spannung an den Klemmen an, sind die angeschlossenen Leiter zu den Stellantrieben sehr wahrscheinlich kurzgeschlossen. Kurzschluss beheben und die Stellantriebe wieder anschließen. Spannung erneut kontrollieren.
	Defektes OJ GreenZone™ Module A	Die angeschlossenen Leiter von den Klemmen lösen und kontrollieren, ob Spannung an den Klemmen anliegt. Liegt nach Entlastung keine Spannung an den Klemmen an, ist das OJ GreenZone™ Module A sehr wahrscheinlich defekt. OJ GreenZone™ Module A austauschen.
Angeschlossene WVS-Klappe oder angeschlossenes Heiz-/Kühlventil funktioniert nicht	Fehler im elektrischen Anschluss	Elektrische Anschlüsse kontrollieren.
	Ventil oder WVS-Stellantrieb defekt	Stellantrieb austauschen.

Symptom	Ursache	Behebung
Zulufttemperaturfühler zeigt falsche Werte an	Fehler im elektrischen Anschluss.	Elektrische Anschlüsse kontrollieren.
	Fühler defekt: kurzgeschlossen oder unterbrochen	Fühler kontrollieren. Die angeschlossenen Leiter von den Klemmen 30 u. 31 lösen und eine Kontrollmessung mit einem Ohmmeter vornehmen. Bei unterbrochenem Fühler wird der gemessene Widerstand unendlich sein, bei kurzgeschlossenem Fühler wird die Messung ca. 0,0 Ohm aufweisen. Ist der Fühler in Ordnung ist, wird der Messwert ca. 1078 Ohm bei einer Fühlertemperatur von 20 °C sein. Bei Defekt den Fühler austauschen.
	Verkehrter Fühlertyp	Als Fühler ist Typ PT-1000 anzuwenden, d. h. der gemessene ohmsche Wert des Fühlers wäre ca. 1078 Ohm bei 20 °C.
	OJ GreenZone™ Module A defekt	OJ GreenZone™ Module A austauschen.
Der Frostalarm funktioniert nicht	Frostthermostat falsch angeschlossen	Kabelverbindungen und Anschlüsse kontrollieren (siehe Abb. 12).
	Defektes OJ GreenZone™ Module A	OJ GreenZone™ Module A austauschen.
	Falsche Web-Konfiguration des Frostthermostats	Siehe korrekte Konfiguration des Eingangs in der Installationsanleitung.
Fensterkontakt funktioniert nicht	Fensterkontakt falsch angeschlossen	Kabelverbindungen und Anschlüsse kontrollieren (siehe Abb. 12).
	Defektes OJ GreenZone™ Module A	OJ GreenZone™ Module A austauschen.
	Falsche Web-Konfiguration des Fensterkontakts	Siehe korrekte Konfiguration des Eingangs in der Installationsanleitung.
PIR-Melder funktioniert nicht	PIR-Melder falsch angeschlossen	Kabelverbindungen und Anschlüsse kontrollieren (siehe Abb. 12).
	Defektes OJ GreenZone™ Module A	OJ GreenZone™ Module A austauschen.
Temperaturschieber funktioniert nicht	Temperaturschieber falsch angeschlossen	Kabelverbindungen und Anschlüsse kontrollieren (siehe Abb. 11).
Temperaturschieber funktioniert nicht	Defektes OJ GreenZone™ Module A	OJ GreenZone™ Module A austauschen.



Français

## LISTE DES FIGURES

Les figures suivantes se situent au verso des instructions :

- Fig. 1 : OJ GreenZone™ Module A
- Fig. 2 : Dimensions
- Fig. 3 : Aperçu des connecteurs dans OJ GreenZone™ Module A
- Fig. 4 : Raccordement de communication du Modbus
- Fig. 5 : Connecteur « Modbus in » [entrée Modbus]
- Fig. 6 : Connecteur Modbus RJ12
- Fig. 7 : Raccordement du câble Modbus
- Fig. 8 : Raccordement de la tension d'alimentation
- Fig. 9 : Bouclage des bornes pour tension d'alimentation
- Fig. 10 : Raccordement des sondes PT1000 et CO2
- Fig.10A : Raccordement de la sonde d'humidité
- Fig. 11 : Raccordement du potentiomètre « offset » [décalage] de température
- Fig. 12 : Raccordement du thermostat de givre
- Fig. 13 : Connecteur « Modbus out » [sortie Modbus]
- Fig. 14 : Raccordement de l'actionneur VAV de sortie
- Fig. 14A : Raccordement de l'actionneur VAV d'entrée
- Fig. 15 : Raccordement de la sonde PT1000, entrée
- Fig. 16 : Raccordement de l'actionneur de la vanne de chauffage
- Fig. 16A : Raccordement de l'actionneur de la vanne de refroidissement
- Fig. 17 : Afficheur à 2 chiffres
- Fig. 18 : Connecteur RJ12 « Modbus sensor » [sonde Modbus]
- Fig. 19 : Aperçu de la configuration
- Fig. 20 : Raccordement du contact de fenêtre
- Fig. 21 : Raccordement de la sonde PIR

## INTRODUCTION

L'OJ GreenZone™ Module A est un contrôleur électronique qui régule une zone VAV unique d'un système de ventilation. L'OJ GreenZone™ Module A contient toutes les fonctions nécessaires pour un contrôle optimal d'une zone VAV en considérant la consommation d'énergie et le confort.

**DESCRIPTION**

L'OJ GreenZone™ Module A contrôle le registre VAV, la température, le CO2 et l'humidité de l'air dans le local en fonction des sondes qui sont raccordées à l'OJ GreenZone™ Module A.

L'OJ GreenZone™ Module A est autoconfigurable. Cela implique que le contrôleur exécute un test des unités raccordées puis contrôle la zone de façon optimale en fonction des composantes raccordées, des sondes, des actionneurs, etc. une fois que l'installation a été complétée et que l'OJ GreenZone™ Module A est alimenté.

Le module est réglé et opéré par le serveur web intégré auquel on accède par l'OJ GreenZone™ Master.

On peut raccorder jusqu'à vingt-cinq unités OJ GreenZone™ Module A à chaque OJ GreenZone™ Master. L'OJ GreenZone™ Module A est muni de 4 x 0-10 VCC pour les moteurs de vannes et de registres.

**GAMME DE PRODUITS****Produits d'OJ Electronics**

Type	Produit
OJ-ZoneMaster	Module maître pour contrôler au max. 25 unités OJ-Zone-Modul-A
OJ-ZoneModule-A	Module de zone pour le contrôle d'une zone
OJ-RPT-20T	Panneau de commande de la pièce avec écran tactile
TTH-6202	Transmetteur de température du conduit avec Modbus
TTH-6040-W	Transmetteur de température de la pièce avec Modbus
HTH-6202	Capteur d'humidité et de température du conduit avec Modbus
VTH-6202	Capteur de COV du conduit (émanations issues des composés organiques volatils)
OJ-Air2PWR80	Unité d'alimentation en tension, 2x24 VCA, 2x60 VA
ETT-KH	Cache du OJ-Module-A, fixation murale
ETFWP-998	Sonde de pièce PT1000 avec bouton pour l'ajustement du point de réglage de la température
ETF-1098L1-4	Sonde de conduit PT1000 (°C)
ETF-998-H	Sonde de local PT1000 (°C), 80x80 mm

**Produits d'autres fournisseurs**

Type	Produit
Belimo type LMV-D3, NMV-D3	Vanne VAV 0-10 V
Type Belimo CQ24A-SR, LR24A, NR24A, SR24A	Vanne de chauffage 0-10 V

Type	Produit
Type Belimo CQ24A-SR, LR24A, NR24A, SR24A	Vanne de refroidissement 0-10 V
Conduit 050-8-0004 eSENSE	Sonde CO2 pour montage dans un conduit
Thermokon TFR 1,8, TFR 1,8-R	Thermostat de givre avec tube capillaire de 1,8 m
Thermokon WRF06I / RDI	Sonde de mouvement pour montage en surface
Câble téléphonique, type : TD6006 noir	Câble téléphonique 6 fils, marque : INEC
Connecteur TE Connectivity, RJ12	Connecteur téléphonique modulaire 6/6, connecteur RJ12 standard

## INSTALLATION

L'OJ GreenZone™ Module A s'installe sur un rail DIN 35 mm standard monté dans une enceinte qui répond à la classification du site d'installation (voir fig. 2 pour les dimensions d'une unité). L'unité elle-même est classée IP20 et l'ETT-KH d'OJ Electronics peut être utilisée comme une telle enceinte. L'endroit le plus pratique sera souvent à proximité d'autres composantes, vannes, sondes, etc. associées à la zone VAV. Un aperçu de la configuration physique du système est présenté à la fig. 19. L'endroit idéal serait au-dessus d'un panneau du plafond suspendu.

L'OJ GreenZone™ Module A doit être alimenté par une source de 24 VCA, +/-15% et il est donc muni de bornes de bouclage (max. 1,5 mm<sup>2</sup>) à cette fin (voir les fig. 8 et 9). Les autres connexions sont réalisées par une combinaison de raccords RJ12 et de bornes vissées pour le raccordement de fils de section max. de 1,5 mm<sup>2</sup> (voir fig. 3).

### Connexions et indications (voir l'aperçu à la fig. 1)

À la fig. 3, tous les connecteurs sont marqués d'une lettre (A – P).

Voir ci-dessous pour les descriptions des raccordements électriques des différentes composantes, entrées et sorties ainsi que pour autres signaux et indications de l'OJ GreenZone™ Module A.

### Raccordement des moteurs d'amortisseur VAV (voir les fig. 3, 14 & 14A)

L'OJ GreenZone™ Module A peut contrôler deux amortisseurs VAV : un amortisseur VAV dans le conduit de sortie et un autre dans le conduit d'entrée. Les moteurs d'amortisseur VAV sont contrôlés par un signal 0-10 V.

- Le moteur d'amortisseur VAV dans le conduit de sortie de zone devrait être raccordé aux bornes 18, 19 & 20 (voir fig. 14)
- Le moteur d'amortisseur VAV dans le conduit d'entrée de zone devrait être raccordé aux bornes 21, 22 & 23 (voir fig. 14A)

### Raccordement des moteurs de vanne des systèmes de chauffage et de refroidissement (voir les fig. 3, 16 & 16A)

L'OJ GreenZone™ Module A peut contrôler deux moteurs de vanne 0-10 V : un moteur de vanne pour tout élément de chauffage localisé dans le conduit d'entrée et un moteur de vanne pour tout élément de refroidissement localisé dans le conduit d'entrée.

Les moteurs de vanne sont contrôlés par un signal 0-10 V.

- La vanne de chauffage devrait être raccordée aux bornes 24, 25 & 26 (voir fig. 16)
- La vanne de refroidissement devrait être raccordée aux bornes 27, 28 & 29 (voir fig. 16A)

### Connexion du capteur de température dans le conduit d'entrée (voir fig. 3 et 15)

Il est possible de raccorder une sonde située dans le conduit d'entrée. La valeur réelle enregistrée par la sonde est montrée sur la page Web de la zone. La température est utilisée pour le contrôle de la température d'entrée.

**NOTE !** La sonde doit être du type PT1000.

- La sonde devrait être raccordée aux bornes 30 & 31 (voir fig. 15)

### Afficheur « G » (voir les fig. 3 et 17)

L'OJ GreenZone™ Module A est muni d'un afficheur à 2 chiffres (fig. 3, pos. « G »).

L'afficheur montre diverses choses comme indiqué dans le tableau 3 ci-dessous.

L'afficheur alterne (clignote) entre les fonctions activées et les lectures.

Exemple:

Si l'OJ GreenZone™ Module A est configuré comme suit :

- Raccordé à l'OJ GreenZone™ Master 1
- Zone 13 attribuée par l'OJ GreenZone™ Master
- Une sonde de température PT1000 est installée dans le conduit d'entrée
- Une sonde température/humidité combinée (HTH-6202) est installée dans le conduit de sortie



- l'afficheur alternera entre les lectures suivantes:



Tableau 3

Affichage	Commentaires
1-	L'OJ GreenZone™ Module A courant est intégré dans la zone section 1 (ZoneMaster1)
2-	L'OJ GreenZone™ Module A courant est intégré dans la zone section 2 (ZoneMaster2)
3-	L'OJ GreenZone™ Module A courant est intégré dans la zone section 3 (ZoneMaster3)
4-	L'OJ GreenZone™ Module A courant est intégré dans la zone section 4 (ZoneMaster4)
5-	L'OJ GreenZone™ Module A courant est intégré dans la zone section 5 (ZoneMaster5)
13	Montre le nombre courant (adresse) de l'OJ GreenZone™ Master (intervalle : 1-25)
°C	Sonde de température correctement raccordée (entrée, sortie ou sonde du local)
CO	Sonde CO2 correctement raccordée (sortie ou sonde du local)
RH	Capteur d'humidité (HTH-6202) correctement connecté (capteur d'échappement)
RP	Panneau de commande de la pièce OJ-RPT-20T correctement connecté
LI	Deux sondes de température raccordées
SC	Sonde court-circuitée
9	Numéro de section de zone non encore attribué par l'OJ GreenZone™ Master
99	Numéro de zone (adresse) non encore attribué par l'OJ GreenZone™ Master
SU	Mis à jour du logiciel en cours

### Connecteur « H » – sonde Modbus (°C, % hr ou VOC) (voir les fig. 3 et 18)

L'OJ GreenZone™ Module A est muni d'une entrée Modbus pour raccorder des sondes Modbus (fig. 3 et 18).

Il est possible de raccorder une sonde OJ Electronics du type suivant :

- OJ-RPT-20T (panneau de commande de la pièce avec capteur de température intégré)
- TTH-6202 (capteur de température du conduit)

- TTH-6040-W (capteur de température de la pièce)
- VTH-6202 (sonde VOC)
- HTH-6202 (sonde température et humidité combinée)

Pour les pièces plus grandes dans lesquelles vous souhaitez mesurer la température à plusieurs endroits, le nombre maximal de dispositifs pouvant être installés est 1 x OJ-RPT-20T, 1 x TTH-6040-W avec le bouton en position 1 et 1 x TTH-6040-W avec le bouton en position 2. Le module de zone calcule et utilise automatiquement la température moyenne issue de ces capteurs.

La disposition de bornes du raccord RJ12 est montrée à la fig. 6.

#### **Raccord « J » – « Modbus in » [entrée Modbus] port d'entrée** (voir les fig. 3 et 5)

L'OJ GreenZone™ Module A est muni de connecteurs RJ12 « Modbus in » [entrée Modbus] (voir les fig. 3 et 5) et « Modbus out » [sortie Modbus] (voir les fig. 3 et 13) pour l'intégration au système de contrôle de zone avec un câble standard RJ12 Modbus (voir fig. 4). La disposition de bornes du raccord RJ12 Modbus est montrée à la fig. 6. La distance maximum permise entre deux unités OJ GreenZone™ Module A successives est 100 m. La longueur en cascade totale maximum permise de câble Modbus entre toutes les unités OJ GreenZone™ Module A est 2 500 m. Le câble Modbus doit être comme montré à la fig. 7. La communication Modbus est correcte quand la DEL jaune clignote de façon régulière.

#### **Connecteur « K » – Tension d'alimentation** (voir les fig. 8 et 9)

L'OJ GreenZone™ Module A doit être alimenté par une source de 24 VCA (voir fig. 8 et 9). Le connecteur 24 VCA est muni de bornes de bouclage pour permettre le bouclage avec au maximum deux autres unités OJ GreenZone™ Module A. Les bornes de sortie (bornes 3 et 4) sont protégées contre les courts-circuits.

Ceci signifie que l'OJ GreenZone™ Module A continuera à fonctionner même si les bornes de sorties (3 et 4) sont court-circuitées. Seulement les unités OJ GreenZone™ Module A subséquentes seront déconnectées si les bornes 3 et 4 sont court-circuitées. La section de fil recommandée est 2x1,5 mm<sup>2</sup>. La communication Modbus est correcte quand la DEL verte clignote de façon régulière.

#### **NOTE!**

La protection contre les courts-circuits impose une limite sur la charge qui peut être raccordée aux bornes de sortie (3 et 4). Par conséquent, pas plus de deux unités OJ GreenZone™ Module A peuvent être raccordées aux bornes de sortie 3 et 4 (voir fig. 9).

**Connecteur « L » – sonde de température PT1000, sonde d'humidité et sonde CO2**

(voir les fig. 3, 10 et 10A)

L'OJ GreenZone™ Module A est muni d'entrées pour des sondes analogiques (voir fig. 3, 10 et 10A).

Les entrées permettent le raccordement d'une sonde PT1000 standard et une sonde CO2 avec un signal de sortie standard 0-10 VCC = 0-2 000 ppm.

Les sondes doivent être raccordées au connecteur RJ12 marqué « L » à la fig. 3.

*Note : Ce connecteur N'EST PAS un connecteur Modbus.*

Capteur

de température

de la pièce :

Le capteur de température de la pièce PT1000 peut être installé dans le conduit d'échappement ou dans la pièce. Il est connecté aux bornes à vis 9 et 10. (voir fig. 10).

Entrée 0-10 VCC

pour la sonde CO2 : La sonde CO2 peut être installée dans le conduit de sortie ou dans le local. Celui-ci doit être relié aux broches 5, 6 et 8 du connecteur RJ12 (voir fig. 10).

Entrée 0-10 VCC pour

la sonde d'humidité : La sonde d'humidité peut être installée dans le conduit de sortie ou dans la pièce elle-même. Elle doit être raccordée aux bornes à vis 6, 7 et 8 (voir fig. 10A).

Si aucun capteur de température Modbus n'est relié au connecteur marqué « H », le capteur PT1000 connecté à cette entrée (« L ») sera automatiquement configuré en tant que capteur d'échappement/de pièce.

Si un capteur de température Modbus est relié au connecteur marqué « H », les valeurs du capteur Modbus sont prioritaires par rapport à celles du capteur d'humidité du terminal 7 et celles du capteur de température du terminal 10.

**Connecteur « M » – « Offset » [décalage] de température (°C) (voir les fig. 3 et 11)**

L'OJ GreenZone™ Module A est muni d'une entrée pour le raccordement d'une unité de contrôle pour l' « offset » [décalage] de la température du local déterminé par l'utilisateur (voir les fig. 3 et 11). Par l'interface web pour l'utilisateur, l' « offset » [décalage] de la température peut être réglé à +/-3 °C ou +/-5 °C.

Le potentiomètre de compensation de température ETFWP-998 d'OJ Electronics dispose à la fois d'un capteur de pièce PT-1000 et d'un potentiomètre.

**NOTE!**

Si un autre potentiomètre est utilisé, sa résistance doit être min. 4,7 k $\Omega$  et max. 22 k $\Omega$ .

**Connecteur « N » – Contact de fenêtre, alarme de givre et sonde PIR** (voir fig. 3)

L'OJ GreenZone™ Module A est muni d'entrées numériques pour le raccordement d'un contact de fenêtre et d'une sonde PIR. Sur le schéma d'ensemble (fig. 3), les bornes d'entrée sont marquées « N ».

**Thermostat de givre**

Le thermostat de givre doit être attaché physiquement à l'élément chauffant. Les thermostats adéquats sont le Danfoss type KP61, Thermokon type TFR ou TFR-R, ou un thermostat similaire avec un bulbe ou un tube capillaire. Le bulbe ou le tube capillaire devraient être raccordés à l'élément chauffant dans le débit d'air du côté chaud de l'élément. Si le thermostat de givre est activé (entrée numérique ouvre) la vanne de chauffage installée sera forcée d'ouvrir à 100 %.

Le thermostat de givre doit être raccordé comme montré à la fig. 12. Le contact NF du thermostat de givre devrait être utilisé afin que l'entrée soit active quand il n'y a pas de danger de givre. L'entrée est munie d'un cavalier installé en usine.

**Contact de fenêtre**

Les contacts de fenêtre doivent être physiquement attachés aux fenêtres à surveiller. Si plusieurs fenêtres sont surveillées, les contacts de fenêtre doivent être raccordés en série. Si les fenêtres sont ouvertes (les contacts de fenêtre sont ouverts), les vannes de chauffage et refroidissement seront forcées de fermer. Le registre VAV peut être réglé pour fermer.

Les contacts de fenêtre doivent être raccordés électriquement comme montré à la fig. 20. Le contact NO des contacts de fenêtre doit être utilisé de façon à ce que l'entrée soit active si une fenêtre est fermée. L'entrée est munie d'un cavalier installé en usine.

**Sonde PIR/détecteur de mouvement**

La sonde PIR doit être placée dans l'endroit du local où le mouvement doit être détecté. Si plusieurs sondes PIR sont utilisées, elles doivent être raccordées en parallèle. Si les sondes PIR détectent du mouvement dans le local, la zone sera activée et contrôlée en fonction des paramètres d'opération qui ont été réglés.

Les sondes PIR doivent être raccordées électriquement comme montré à la fig. 21.

Le contact NO des sondes PIR devrait être utilisé afin que l'entrée soit active quand du mouvement est détecté dans le local.

### Connecteur « P » – « Modbus out » [sortie Modbus] port de sortie

(voir les fig. 3 et 13)

L'OJ GreenZone™ Module A est muni de connecteurs RJ12 « Modbus in » [entrée Modbus] (voir les fig. 3 et 5) et « Modbus out » [sortie Modbus] (voir les fig. 3 et 13) pour l'intégration au système de contrôle de zone avec un câble standard RJ12 Modbus (voir les fig. 4, 5 et 13). La disposition de bornes du raccord RJ12 Modbus est montrée à la fig. 6. Le câble Modbus doit être comme montré à la fig. 7. La communication Modbus est correcte quand la DEL verte clignote de façon régulière.

### Adressage de l'OJ GreenZone™ Module A

L'OJ GreenZone™ Module A est automatiquement adressé par l'OJ GreenZone™ Master auquel il est raccordé.

L'adresse est montrée sur l'afficheur du OJ GreenZone™ Module A (voir le tableau 3 de ces instructions). Plus d'information à propos de l'adressage est contenue dans le manuel de l'OJ GreenZone™ Master et dans les instructions pour l'installateur de l'OJ Green Zone.

### Sauvegarde des données dans l'OJ GreenZone™ Module A

Si des défaillances de communication ou une perte d'alimentation de l'OJ GreenZone™ Module A surviennent, toutes les données seront sauvegardées. Quand la communication et / ou l'alimentation sont rétablies, l'OJ GreenZone™ Module A reprendra automatiquement son opération normale.

### CARACTÉRISTIQUES TECHNIQUES

Tension d'alimentation. . . . .	24 VCA +/-10 % (voir les fig. 8 et 9)
Consommation, aucune charge . . . . .	< 2,3 VA
Consommation avec charge max. . . . .	< 52 VA
Sortie 24 VCA, protégée contre les courts-circuits. . . . .	< 24 VA
Température ambiante, fonctionnement . . . . .	-20/+40 °C (transitoire -30/+50 °C)
Température ambiante, stockage . . . . .	-30/+70 °C
Modbus, raccordements en cascade . . . . .	2 x connecteurs RJ12 (6P6C)
Connexions de l'actionneur . . . . .	bornes à vis 4 x 3 x 1.5 mm <sup>2</sup>
Sortie de l'actionneur . . . . .	4 x 0-10 VCC
Alimentation de l'actionneur . . . . .	4 x 24 VCC 0,25 A
Modbus, raccordements sonde . . . . .	1 x connecteur RJ12 (6P6C)
Puissance du capteur . . . . .	1 x 24 VCC 0,25 A
Communication Modbus . . . . .	RS-485, 38,4 kBauds, 24 VCC
Adresse Modbus, Module OJ Zone . . . . .	Autoconfigurable
Entrées numériques . . . . .	2 x incorporées « pull-up »
Alimentation du capteur . . . . .	1 x 24 VCC 0,1 A

Entrées de sonde .....	2 x PT1000
Entrée tension .....	2 x 0-10 VCC
Plages de mesure, humidité .....	0-100 % HR
Plage de mesure, température .....	-40 - 100 °C
Plage de mesure, CO <sub>2</sub> .....	0 - 2 000 ppm
Norme de l'enceinte .....	IP20
Dimensions .....	(Voir fig. 2)
Poids .....	270 g

## SERVICE ET ENTRETIEN

L'OJ GreenZone™ Module A ne contient pas de composants qui requièrent du service ou de la maintenance.

Veuillez communiquer avec votre fournisseur si un défaut apparaît.

## MISE AUX REBUTS ET PROTECTION DE L'ENVIRONNEMENT

Aidez à la protection de l'environnement en disposant de l'emballage et des produits superflus de façon écologiquement responsable.

### Mise au rebut de produits



Les produits identifiés par ce symbole ne doivent pas être rebutés avec les déchets domestiques, mais doivent être livrés à un centre de collecte de déchets conformément aux règlements locaux applicables.

## OJ ELECTRONICS A/S

Stenager 13B · DK-6400 Sønderborg

Tél. +45 73 12 13 14 · Fax +45 73 12 13 13

oj@ojelectronics.com · www.ojelectronics.com

## HOMOLOGATION CE

2004/108/CE DIRECTIVE CEM / La directive 2004/108/CE du parlement européen et du conseil du 15 décembre 2004 relative au rapprochement des législations des États membres concernant la compatibilité électromagnétique et abrogeant la directive 89/336/CEE.

2006/95/CE DIRECTIVE BASSE TENSION / La directive 2006/95/CE du parlement européen et du conseil du 12 décembre 2006 concernant le rapprochement des législations des États membres relatives au matériel électrique destiné à être employé dans certaines limites de tension.

**Normes appliquées**

EN 60730-1 : 2000 / Contrôles électriques automatiques pour domicile et usage similaire / Partie 1 : Exigences générales.

**DIAGNOSTIC DE PANNES**

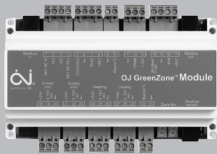
Symptôme	Cause	Action
OJ GreenZone™ Module A n'opérant – l'afficheur est éteint	Pas d'alimentation	Vérifiez la présence de 24 VCC sur les bornes d'entrée 1 et 2 et sur les bornes de sortie 3 et 4. S'il n'y a pas de tension sur les bornes de sortie 3 et 4, les composantes alimentées par ces bornes (3 et 4) sont soit court-circuitées ou surchargées.
	OJ GreenZone™ Module A défectueux	Remplacez l'OJ GreenZone™ Module A.
Pas de communication vers l'OJ GreenZone™ Module A	Mauvaise connexion ou pas de connexion dans le câble Modbus	Vérifiez le câble Modbus. La configuration du câble Modbus et des connecteurs est montrée dans les fig. 6 et 7. Réparez ou remplacez le câble Modbus défectueux.
	Mauvaise connexion du câble Modbus.	Vérifiez que le câble de communication Modbus est raccordé au connecteur « Modbus in » [entrée Modbus] et qu'il est bouclé vers l'OJ GreenZone™ Module A suivant par le connecteur « Modbus out » [sortie Modbus]. (Voir les fig. 4, 5 et 13.)
	OJ GreenZone™ Module A défectueux	Remplacez l'OJ GreenZone™ Module A.
Afficheur montre « 9 »	L'OJ GreenZone™ Module A n'a pas encore reçu l'information à propos du numéro de section de la part de l'OJ GreenZone™ Master	Attendez que l'OJ GreenZone™ Master attribue un numéro de section à l'OJ GreenZone™ Module A.
	Mauvaise connexion ou pas de connexion dans le câble Modbus	Vérifiez le câble Modbus. La configuration du câble Modbus et des connecteurs est montrée dans les fig. 6 et 7. Réparez ou remplacez le câble Modbus défectueux.
	OJ GreenZone™ Master défectueux	Remplacez l'OJ GreenZone™ Master.
	OJ GreenZone™ Module A défectueux	Remplacez l'OJ GreenZone™ Module A.

Symptôme	Cause	Action
Afficheur montre « 99 »	L'OJ GreenZone™ Module A n'a pas encore reçu l'information à propos du numéro de zone de la part de l'OJ GreenZone™ Master	Attendez que l'OJ GreenZone™ Master attribue un numéro de zone à l'OJ GreenZone™ Module A.
	Mauvaise connexion ou pas de connexion dans le câble Modbus	Vérifiez le câble Modbus. La configuration du câble Modbus et des connecteurs est montrée dans les fig. 6 et 7. Réparez ou remplacez le câble Modbus défectueux.
	OJ GreenZone™ Master défectueux	Remplacez l'OJ GreenZone™ Master.
	OJ GreenZone™ Module A défectueux	Remplacez l'OJ GreenZone™ Module A.
Afficheur montre « SC »	Sonde court-circuitée	Vérifiez la sonde PT1000 qui est raccordée. La sonde doit être raccordée au connecteur RJ12 marqué « L » à la fig. 3 – la bonne connexion est montrée à la fig. 10. Vérifiez la résistance de la sonde. La mesure de la résistance devrait être approximativement 1 078 Ω à 20 °C.
Amortisseur VAV ou vanne de chauffage/refroidissement inopérant	Pas d'alimentation électrique à l'OJ GreenZone™ Module A	Vérifiez la présence de 24 VCC sur les bornes d'entrée 1 et 2 et sur les bornes de sortie 3 et 4. S'il n'y a pas de tension sur les bornes de sortie 3 et 4, les composantes alimentées par ces bornes (3 et 4) sont soit court-circuitées ou surchargées.
	Pas de 24 VCC aux bornes d'alimentation de l'actionneur : (+18- ↘20) (+21- ↘23) (+24- ↘26) (+27- ↘29)	Enlevez les fils sur les bornes et vérifiez la présence d'une tension entre les bornes. Si une tension peut être mesurée entre les bornes quand la charge est débranchée, il est fortement probable que les fils raccordant l'actionneur soient court-circuités. Éliminez le court-circuit et rebranchez l'actionneur. Vérifiez la tension de nouveau.
	OJ GreenZone™ Module A défectueux	Enlevez les fils sur les bornes et vérifiez la présence d'une tension entre les bornes. Si une tension ne peut pas être mesurée entre les bornes quand la charge est débranchée, il est fortement probable que l'OJ GreenZone™ Module A soit défectueux. Remplacez l'OJ GreenZone™ Module



Symptôme	Cause	Action
	Mauvais raccordements	Vérifier les raccords électriques.
Amortisseur VAV ou vanne de chauffage/refroidissement inopérant	Vanne ou actionneur VAV défectueux	Remplacez l'actionneur
Affichage incorrect du capteur de la température d'entrée	Mauvais raccordements	Vérifier les raccords électriques.
	Sonde défectueuse : court-circuitée ou débranchée	Vérifiez la sonde. Débranchez les fils des bornes 30 et 31 et vérifiez la résistance à l'aide d'un ohmmètre. Si la sonde est débranchée, sa résistance devrait être infiniment haute, si elle est plutôt environ 0.0 ohm, la sonde est court-circuitée. Si la sonde est en bon état, une résistance d'environ 1078 ohms sera mesurée quand la sonde est à une température de 20 °C. Remplacez la sonde si elle est défectueuse.
	Mauvais type de sonde	La sonde doit être du type PT1000 ayant une résistance d'environ 1078 ohms à 20 °C.
	OJ GreenZone™ Module A défectueux	Remplacez l'OJ GreenZone™ Module
Alarme de givre inopérante.	Thermostat de givre mal raccordé	Vérifiez les câbles et les connexions (voir fig. 12).
	OJ GreenZone™ Module A défectueux	Remplacez l'OJ GreenZone™ Module A.
	Mauvaise configuration web du thermostat de givre	Voir les instructions pour l'installateur pour la bonne configuration de l'entrée.
Contact de fenêtre inopérant	Contact de fenêtre mal raccordé	Vérifiez les câbles et les connexions (voir fig. 12).
	OJ GreenZone™ Module A défectueux	Remplacez l'OJ GreenZone™ Module A.
	Mauvaise configuration web du contact de fenêtre	Voir les instructions pour l'installateur pour la bonne configuration de l'entrée.
Sonde PIR inopérante	Sonde PIR mal raccordée	Vérifiez les câbles et les connexions (voir fig. 12).
	OJ GreenZone™ Module A défectueux	Remplacez l'OJ GreenZone™ Module A.

Symptôme	Cause	Action
« Offset » [décalage] de température inopérant	Potentiomètre d' « offset » [décalage] mal raccordé	Vérifiez les câbles et les connexions (voir fig. 11).
« Offset » [décalage] de température inopérant	OJ GreenZone™ Module A défectueux	Remplacez l'OJ GreenZone™ Module A.



Svenska



## FIGURÖVERSIKT

Följande figurer finns längst bak i användarhandboken:

- Fig. 1: OJ GreenZone™ Module A
- Fig. 2: Måttritning
- Fig. 3: Översikt över anslutningar på OJ GreenZone™ Module A
- Fig. 4: Anslutning för Modbus-kommunikation
- Fig. 5: Kontakt "Modbus in"
- Fig. 6: Kontaktdon RJ12 Modbus
- Fig. 7: Överkoppling med Modbus-kabel
- Fig. 8: Anslutning av strömförsörjning
- Fig. 9: Slingplintar för strömförsörjning
- Fig. 10: Anslutning av PT1000- och CO2-givare
- Fig. 10A: Anslutning av fuktgivare
- Fig. 11: Anslutning av temperaturförskjutningsratt
- Fig. 12: Anslutning av frosttermostat
- Fig. 13: Kontakt "Modbus ut"
- Fig. 14: Anslutning av VAV-aktuatorer för utsugning
- Fig. 14A: Anslutning av VAV-aktuatorer för inblåsning
- Fig. 15: Anslutning av PT1000-givare, inblåsning
- Fig. 16: Anslutning av aktuatorer för värmeventil
- Fig. 16A: Anslutning av aktuatorer för kylventil
- Fig. 17: 2-ställigt teckenfönster
- Fig. 18: RJ12-kontakt, "Modbus-givare"
- Fig. 19: Konfigureringsöversikt
- Fig. 20: Anslutning av fönsterkontakt
- Fig. 21: Anslutning av PIR-givare

## ALLMÄNT

OJ GreenZone™ Module A är en elektronisk styrning för styrning av en VAV-zon i ett ventilationssystem. OJ GreenZone™ Module A innehåller alla funktioner som krävs för att styra en VAV-zon energi- och komfortoptimalt.

## BESKRIVNING

OJ GreenZone™ Module A styr VAV-spjäll, temperatur, CO2 och luftfuktigheten i rummet, beroende på vilka givare som är anslutna till OJ GreenZone™ Module A.

OJ GreenZone™ Module A är självkonfigurerande. Det betyder att styrningen utför en test av de anslutna enheterna när installationen är avslutad och OJ GreenZone™ Module A spänningssätts. Därefter regleras zonen optimalt enligt de anslutna komponenterna, givare, aktuatorer mm.

Inställningar och hantering sker via den inbyggda webbservern, som du kommer åt via den anslutna OJ GreenZone™ Master.

Du kan ansluta upp till 25 OJ GreenZone™ Module A till varje OJ GreenZone™ Master. OJ GreenZone™ Module A är utrustad med 4 x 0 – 10 V DC för ventil- och spjällmotorer.

## PRODUKTPROGRAM

### Produkter från OJ Electronics

Typ	Produkt
OJ-ZoneMaster	Huvudmodul för styrning av max. 25 x OJ-ZoneModul-A enheter
OJ-ZoneModule-A	Zonmodul för styrning av en zon
OJ-RPT-20T	Rumskontrollpanel med touch-skärm
TTH-6202	Ledningstemperaturgivare med Modbus
TTH-6040-W	Rumstemperaturgivare med Modbus
HTH-6202	Ledning Luftfuktighets- och temperatursensor med Modbus
VTH-6202	Ledning VOC-sensor (ångor från flyktiga organiska sammansättningar)
OJ-Air2PWR80	Strömförsörjning, 2 x 24 VAC, 2 x 60 VA
ETT-KH	Täckning för OJ-Module-A, väggmontering
ETFWP-998	PT1000 rumssensor med ratt för inställning av temperaturinställningspunkt
ETF-1098L1-4	PT1000-kanalgivare (°C)
ETF-998-H	PT1000-rumsgivare (°C), 80 x 80 mm

### Produkter från övriga leverantörer

Typ	Produkt
Belimo typ LMV-D3, NMV-D3	VAV-dämpare 0-10V
Belimo-typ CQ24A-SR, LR24A, NR24A, SR24A	Värmeventil 0-10V
Belimo-typ CQ24A-SR, LR24A, NR24A, SR24A	Kylventil 0-10V

Typ	Produkt
050-8-0004 eSENSE Duct	CO <sub>2</sub> -givare för kanalmontering
Thermokon TFR 1,8, TFR 1,8-R	Frosttermostat med 1,8 m kapillärrör
Thermokon WRF06I / RDI	Rörelsegivare för ytmontering
Telekabel, Typ: TD6006 Black	Telekabel, 6 ledare, fabrikat INEC
TE Connectivity telekontakt RJ12	Modulär telekontakt 6/6, RJ12, standardkontakt

## INSTALLATION

Du monterar OJ GreenZone™ Module A på en standard 35 mm DIN-skena i en kapsling som motsvarar installationsplatsens klassificering. Se mått i fig. 2. Kapslingen är IP20, och du kan använda ETT-KH från OJ Electronics som en sådan kapsling. Den lämpligaste placeringen är oftast i närheten av VAV-zonens övriga anslutna komponenter, ventiler, givare mm. Den mekaniska configurationen framgår av fig. 19.

En optimal placering kan eventuellt vara över ett nedsänkt innertak.

OJ GreenZone™ Module A ska strömförsörjas med 24 VAC, +/-15 %. Den är försedd med slingplintar (max 1,5 mm<sup>2</sup>) för detta syfte. Se fig. 8 og 9.

Övriga anslutningar är en kombination av RJ12-kontakter och skruvplintar för max 1,5 mm<sup>2</sup> kabelanslutning. Se fig. 3.

### Anslutningar och indikeringar (se översikt i fig. 1)

I fig. 3 är alla anslutningar märkta med en bokstav (A – P).

Se den följande beskrivningen av elanslutningen för varje enskild komponent, in- och utgångar samt övriga signaler och indikeringar på OJ GreenZone™ Module A.

### Anslutning av VAV-spjällmotorer (se fig. 3, 14 och 14A)

OJ GreenZone™ Module A kan styra 2 VAV-spjäll, ett VAC-spjäll i utsugnings- och ett VAV-spjäll i inblåsningskanalen. VAV-spjällmotorer styrs med en signal 0 – 10 V.

- VAV-spjällmotorn på zonens utsugningskanal ansluts till plintarna 18, 19 och 20 (se fig. 14)
- VAV-spjällmotorn på zonens inblåsningskanal ansluts till plintarna 21, 22 och 23 (se fig. 14A)

### Anslutning av ventilmotorer för värme- och kylsystem (se fig. 3, 16 och 16A)

OJ GreenZone™ Module A kan styra 2 ventilmotorer 0 – 10 V, en ventilmotor för en eventuell värmeyta och en ventilmotor för en eventuell kyla, placerade i inblåsningskanalen.

Ventilmotorerna styrs med en signal 0 – 10 V.

- Värmeventilen ansluts till plintarna 24, 25 och 26 (se fig. 16)
- Kylventilen ansluts till plintarna 27, 28 och 29 (se fig. 16A)

**Anslutning av temperatursensor i ingångsledning** (se fig 3 & 15)

Det är möjligt att ansluta en givare placerad i inblåsningsskanalen. Givarens aktuella värde visas på zonens webbsida. Temperaturen används för att styra inblåsningstemperaturen.

**OBS!** Givaren ska vara av typen PT1000.

- Givaren ansluts till plintarna 30 och 31 (se fig. 15).

**Teckenfönster "G"** (se fig. 3 och 17)

OJ GreenZone™ Module A har ett 2-ställigt teckenfönster. Se fig. 3, punkt "G".

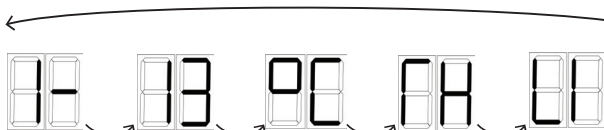
Teckenfönstret kan visa olika meddelanden enligt den följande tabell 3.

Teckenfönstret växlar mellan de aktiverade funktionerna och visningarna.

Exempel:

Om OJ GreenZone™ Module A t.ex. är konfigurerad enligt följande:

- Ansluten till OJ GreenZone™ Master 1
- Tilldelad zon 13 från OJ GreenZone™ Master
- En PT1000-temperaturgivare är monterad i inblåsningsskanalen
- En kombinerad temperatur- och fuktgivare är monterad i utsugningskanalen (HTH-6202)



- kommer teckenfönstret att växla mellan följande visningar:

**Tabell 3**

Teckenfönster	Kommentar
1-	Aktuell OJ GreenZone™ Module A är integrerad i zonsektion 1 (Zone Master 1)
2-	Aktuell OJ GreenZone™ Module A är integrerad i zonsektion 2 (Zone Master 2)
3-	Aktuell OJ GreenZone™ Module A är integrerad i zonsektion 3 (Zone Master 3)

Tecken-fönster	Kommentar
4-	Aktuell OJ GreenZone™ Module A är integrerad i zonsektion 4 (Zone Master 4)
5-	Aktuell OJ GreenZone™ Module A är integrerad i zonsektion 5 (Zone Master 5)
13	Visar aktuellt nummer (adress) för OJ GreenZone™ Module A (intervall: 1 – 25)
°C	Temperaturgivare korrekt ansluten (inblåsnings-, utsnagnings- eller rumsgivare)
CO	CO2-givare korrekt ansluten (utsnagnings- eller rumsgivare)
RH	Fuktsensor (HTH-6202) korrekt ansluten (utsläppssensor)
RP	Rumskontrollpanel OJ-RPT-20T korrekt ansluten
LI	2 temperaturgivare anslutna
SE	Givare kortsluten.
9	Zonsektionsnummer ännu ej tilldelat från OJ GreenZone™ Master
99	Zonnummer (-adress) ännu ej tilldelat från OJ GreenZone™ Master
SU	Mjukvaruuppdatering pågå

### Anslutning av ”H” – Modbus-givare (° C, % RH, VOC) (se fig. 3 och 18)

OJ GreenZone™ Module A har en Modbus-ingång för anslutning av Modbus-givare. Se fig. 3 och fig. 8.

Du kan ansluta givare från OJ Electronics av typen:

- OJ-RPT-20T (Rumskontrollpanel med inbyggd temperatursensor)
- TTH-6202 (ledningstemperatursensor)
- TTH-6040-W (rumstemperatursensor)
- VTH-6202 (VOC-givare)
- HTH-6202 (kombinerad temperatur- och fuktgivare)

I större rum där du vill mäta temperaturen på flera håll där maxnumret för installation är 1 x OJ-RPT-20T, 1 x TTH-6040-W med ratten position 1, och 1 x TTH-6040-W med ratten i position 2. Zonmodulen beräknar och använder genomsnittlig temperatur automatiskt från dessa sensorer. Kontaktbeläggningen i RJ12-kontakten framgår av fig. 6.

**Anslutning av "J" – Modbus in", ingång** (se fig. 3 och 5)

OJ GreenZone™ Module A har en RJ12-kontakt vardera för "Modbus in" (se fig. 3 och 5) och "Modbus Out" (se fig. 3 och 13). Anslutningarna till det övriga zonkontrollsystemet sker med vanliga RJ12-kablar (se fig. 4). Kontaktbeläggningen i RJ12 Modbus-kontakten framgår av fig. 6. Maximal kabellängd mellan 2 OJ GreenZone™ Module A är 100 m. Den maximala totallängden för Modbus kaskadkabel mellan OJ GreenZone™ Module A-enheterna är 2 500 m. Modbus-kabeln utförs enligt fig. 7. När den gula lysdioden blinkar regelbundet är Modbus-kommunikationen OK.

**Anslutning av "K" - strömförsörjning** (se fig. 8 och 9)

OJ GreenZone™ Module A ska strömförsörjas med 24 V AC. Se fig. 8 och 9. Anslutningen för 24 V AC har slingplintar för vidarekoppling till maximalt 2 OJ GreenZone™ Module A. Utgångsplintarna (plintarna 3 och 4) är kortslutningsskyddade. Det betyder att OJ GreenZone™ Module A fortsätter att fungera även om utgångsplintarna (3 och 4) är kortslutna. Därför är det bara de efterföljande OJ GreenZone™ Module A-enheterna som slutar att fungera och kopplas från om det blir kortslutning mellan plintarna 3 och 4. Rekommenderad ledningsarea är 2 x 1,5 mm<sup>2</sup>. När den gröna lysdioden blinkar regelbundet är Modbus-kommunikationen OK.

**OBS!**

På grund av detta kortslutningsskydd är det begränsat hur stor belastning som kan anslutas till utgångsplintarna (3 och 4). Denna begränsning innebär att du MAXIMALT kan ansluta 2 OJ GreenZone™ Module A till utgångsplintarna 3 och 4, se fig. 9.

**Anslutning av "L" – PT1000 temperaturgivare, fukt- och CO<sub>2</sub>-givare**

(se fig. 3, 10 och 10a)

OJ GreenZone™ Module A är utrustad med ingångar för analoga givare (se fig. 3, 10 och 10a). Du kan ansluta en standard PT1000-givare samt en CO<sub>2</sub>-givare med standard utgångssignal 0 - 10 V DC = 0 - 2 000 ppm.

Du ansluter givarna till RJ12-kontakten märkt "L" i fig. 3.

*Observera: Denna kontakt är INTE en Modbus-kontakt!*

Rumstemperatursensor: PT1000-rumtemperaturlöparen kan være placeret i udsugningskanalen eller i rummet. Den tilsluttes skrue terminal 9 og 10.

0 - 10 V DC-ingång

för CO<sub>2</sub>-givare:

CO<sub>2</sub>-givaren kan vara en givare placerad i utsugningskanalen eller i rummet. Den ska anslutas till stiften 5, 6 och 8 på RJ12-kontakten (se fig. 10).



0 – 10 V DC-ingång

för fuktgivare: Fuktgivaren kan vara placerad i utsugningskanalen eller i rummet. Den ansluts till skruvplintarna 6, 7 och 8 (se fig. 10a).

Om ingen Modbus-temperatursensor kopplas till kontakten märkt "H", konfigureras PT1000-sensorn till den här ingången ("L") automatiskt till att bli konfigurerad som en utsläpps-/rumssensor.

Om en Modbus-temperatursensor ansluts till kontakten märkt "H", har Modbus följenhet högre prioritet än fuktsensorn på terminal 7 och temperatursensorn på terminal 10.

### **Anslutning av "M" – temperaturförskjutning (°C)** (se fig. 3 och 11)

OJ GreenZone™ Module A har en ingång för anslutning av en manöverenhet som ger dig möjlighet att förskjuta rumstemperaturen, se fig. 3 och 11. I webbgränssnittet kan du ställa in temperaturförskjutningen till +/-3 °C eller +/-5 °C.

Temperaturförskjutningspotentiometer ETFWP-998 från OJ Electronics har både PT-1000 rumssensor och potentiometer.

### **OBS!**

Om du använder alternativa potentiometrar ska potentiometerns resistans vara lägst 4,7 kΩ och högst 22 kΩ.

### **Anslutning av "N" – fönsterkontakt, frostlarm och PIR-givare** (se fig. 3)

OJ GreenZone™ Module A har digitala ingångar för anslutning av fönsterkontakt, frosttermostat och PIR-givare. I översiktsskissen (fig. 3) är ingångsplintarna märkta med "N".

### **Frosttermostat**

Frosttermostaten ska du montera mekaniskt på värmeytan. Frosttermostaten ska vara Danfoss typ KP61, Thermokon typ TFR eller TFR-R eller motsvarande med mätkropp eller kapillärrör. Mätkroppen eller kapillärröret ska monteras på värmeytan i luftflödet på värmeytans varma sida. Om frosttermostaten aktiveras (den digitala ingången öppnas) kommer den monterade värmeventilen att tvångsöppnas 100 %.

Du ansluter frosttermostaten elektriskt enligt fig. 12. Du ska använda frosttermostatens NC-kontakt (brytande) så att ingången är kortsluten när det inte föreligger frostrisk. Ingången är från fabriken försedd med en kortslutningsbygel.

### **Fönsterkontakt**

Fönsterkontakten monterar du mekaniskt på det eller de fönster som ska övervakas. Om du ska övervaka flera fönster ska du koppla fönsterkontakterna i serie. Om fönstren öppnas (fönsterkontakterna öppnas) kommer värme- och kylventilerna att tvångsstängas. VAV-spjäll kan ställas in för att stänga.

Du ansluter fönsterkontakten/-erna elektriskt enligt fig. 20. Du ska använda fönsterkontaktens NO-kontakt (slutande) så att ingången är kortsloten när fönstret/fönstren är stängt/stängda. Ingången är från fabriken försedd med en kortslutningsbygel.

### **PIR-givare / rörelsevakt**

Du ska montera PIR-givaren på den plats i rummet där du vill övervaka rörelser. Om du använder flera PIR-givare ska du parallellkoppla dem. Om PIR-givaren/givarna känner av rörelse i rummet kommer zonen att aktiveras och regleras enligt de inställda driftparametrarna.

Du ansluter PIR-givaren/givarna elektriskt enligt fig. 21.

Du ska använda PIR-givarens/givarnas NO-kontakt (slutande) så att ingången kortslots när rörelse upptäcks i rummet.

### **Anslutning av "P" – "Modbus out" utgång** (se fig. 3 och 13)

OJ GreenZone™ Module A har en RJ12-kontakt för "Modbus In" (se fig. 3 och 5) respektive "Modbus Out" (se fig. 3 och 13). Anslutningarna till det övriga zonkontrollsystemet sker med vanliga Modbus RJ12-kablar (se fig. 4, 5 och 13). Kontaktbeläggningen i RJ12 Modbus-kontakten framgår av fig. 6. Modbus-kabeln utförs enligt fig. 7. När den gröna lysdioden blinkar regelbundet är Modbus-kommunikationen OK.

### **Adressering av OJ GreenZone™ Module A**

OJ GreenZone™ Module A adresseras helt automatiskt från den anslutna OJ GreenZone™ Master.

Adressen visas i teckenfönstret på OJ GreenZone™ Module A. Se tabell 3 i denna användarhandbok. Ytterligare information om adressering finns i användarhandboken för OJ GreenZone™ Master samt i installationsanvisningarna för OJ Green Zone.

### **Dataskydd i OJ GreenZone™ Module A**

Vid kommunikation och/eller strömavbrott till OJ GreenZone™ Module A kommer alla data att sparas. När kommunikationen återställs och/eller strömförsörjningen fungerar igen startar OJ GreenZone™ Module A i normal drift igen.

### **TEKNISKA DATA**

Strömförsörjning . . . . .	24 VAC +/-10 % (se fig. 8 och 9)
Förbrukning, ingen belastning. . . . .	< 2,3 VA
Förbrukning med max. belastning. . . . .	< 52 VA
24V AC-utgång, kortslutningsskyddad . . . . .	< 24 VA
Omgivningstemperatur . . . . .	-20/+40 °C (drift) (kortvarigt -30/+50 °C)
Omgivande temperatur, förvaring . . . . .	-30/+70 °C

Modbus-anslutningar, kaskadkopplingar . . . . .	2 x RJ12-kontakter (6P6C)
Givaranslutningar . . . . .	4 x 3 x 1,5 mm <sup>2</sup> skruvterminaler
Givarutgång . . . . .	4 x 0-10 VDC
Givarströmförsörjning . . . . .	4 x 24 VDC 0,25A
Modbus-givaranslutningar . . . . .	1 x RJ12-kontakter (6P6C)
Givarkontroll . . . . .	1 x 24V DC 0.25A
Modbus-kommunikation . . . . .	RS-485, 38,4 kBaud, 24 V DC
Modbus-adress, OJ Zone Module . . . . .	Självkonfigurerande
Digitala ingångar . . . . .	2 inbyggda pull-up
Sensorströmförsörjning . . . . .	1 x 24 VDC 0.1A
Givaringångar . . . . .	2 x PT1000
Strömförsörjningsingång . . . . .	2 x 0 - 10 V DC
Mätområde, fukt . . . . .	0 – 100 % RH
Mätområde, temperatur . . . . .	-40 - 100 °C
Mätområde, CO <sub>2</sub> . . . . .	0 - 2000 ppm
Kapslingsklass . . . . .	IP20
Mått . . . . .	(se fig. 2)
Vikt . . . . .	270 g

## SERVICE OCH UNDERHÅLL

OJ GreenZone™ Module A innehåller inga komponenter som kräver service eller underhåll. Kontakta leverantören om det uppstår problem.

## MILJÖ OCH AVFALLSHANTERING

Hjälp till att skydda miljön genom att ta hand om emballage och använda produkter enligt gällande miljöföreskrifter.

### Bortskaffning av produkten



Produkt med detta märke får inte slängas som vanliga hushållssopor. De ska samlas in på särskilt sätt enligt gällande nationella och lokala miljöskydds-föreskrifter.

## OJ ELECTRONICS A/S

Stenager 13B · DK-6400 Sønderborg

Tel. +45 73 12 13 14 · Fax +45 73 12 13 13

oj@ojelectronics.com · www.ojelectronics.com

**CE-MÄRKNING**

2004/108/EG EMC-direktiv

EU-parlamentets och rådets direktiv 2004/108/EG av den 15 december 2004 gällande anpassning av medlemsstaternas lagstiftning beträffande elektromagnetisk kompatibilitet samt tillbakadragandet av direktiv 89/336/EEC.

2006/95/EG Lågspänningsdirektivet

Rådets direktiv 2006/95/EG av den 12 december 2006 gällande harmonisering av medlemsstaternas lagstiftning beträffande elektrisk utrustning avsedd att användas inom vissa spänningsgränser.

**Använda normer**

SS-EN 60730-1 2000 / Automatisk elektrisk styrning för hushåll och motsvarande användning. Del 1: Allmänna krav

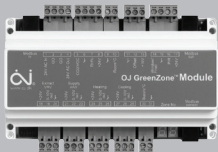
**FELSÖKNING**

Symptom	Orsak	Åtgärd
Inget fungerar i OJ GreenZone™ Module A – inget ljus i teckenfönstret.	Ingen strömförsörjning.	Kontrollera att det finns 24 V DC i ingångsplintarna 1 och 2 samt på utgångsplintarna 3 och 4. Om det inte finns spänning på utgångsplintarna 3 och 4 är det antingen kortslutning eller överbelastning i de komponenter som matas från dessa plintar (3 och 4).
	Defekt OJ GreenZone™ Module A.	Byt OJ GreenZone™ Module A.
Ingen kommunikation till OJ GreenZone™ Module A.	Dålig eller ingen anslutning i Modbus-kabeln.	Kontrollera Modbus-kabeln. Konfigureringen av Modbus-kabeln och dess anslutningar framgår av fig. 6 och 7. Reparera eller byt den defekta Modbus-kabeln.
Ingen kommunikation till OJ GreenZone™ Module A.	Felaktig anslutning av Modbus-kabel.	Kontrollera att Modbus-kommunikationskabeln är ansluten till kontakten "Modbus in" och vidarekopplad till nästa OJ GreenZone™ Module A från kontakten "Modbus out". (Se fig. 4, 5 och 13.)
	Defekt OJ GreenZone™ Module A.	Byt OJ GreenZone™ Module A.

Symptom	Orsak	Åtgärd
Teckenfönstret visar "g".	OJ GreenZone™ Module A har ännu inte fått information om sektionsnummer från OJ GreenZone™ Master.	Vänta tills OJ GreenZone™ Master har tilldelat OJ GreenZone™ Module A ett sektionsnummer.
	Dålig eller ingen anslutning i Modbus-kabeln.	Kontrollera Modbus-kabeln. Konfigureringen av Modbus-kabeln och dess anslutningar framgår av fig. 6 och 7. Reparera eller byt den defekta Modbus-kabeln.
	Defekt OJ GreenZone™ Master.	Byt OJ GreenZone™ Master.
	Defekt OJ GreenZone™ Module A.	Byt OJ GreenZone™ Module A.
Teckenfönstret visar "99".	OJ GreenZone™ Module A har ännu inte fått information om zonnummer från OJ GreenZone™ Master.	Vänta tills OJ GreenZone™ Master har tilldelat OJ GreenZone™ Module A ett zonnummer.
	Dålig eller ingen anslutning i Modbus-kabeln.	Kontrollera Modbus-kabeln. Konfigureringen av Modbus-kabeln och dess anslutningar framgår av fig. 6 och 7. Reparera eller byt den defekta Modbus-kabeln.
	Defekt OJ GreenZone™ Master.	Byt OJ GreenZone™ Master.
	Defekt OJ GreenZone™ Module A.	Byt OJ GreenZone™ Module A.
Teckenfönstret visar "SC".	Givare kortsluten.	Kontrollera den anslutna PT1000-givaren. Givaren är ansluten till RJ12-kontakten märkt "L" i fig. 3 – korrekt anslutning framgår av fig. 10. Gör en resistansmätning av givaren. Den uppmätta resistansen ska vara ca 1 078 Ω vid 20 °C.

Symptom	Orsak	Åtgärd
Anslutet VAV-spjäll eller ansluten värme-/kylventil fungerar inte.	Ingen spänningsmatning till OJ GreenZone™ Module A.	Kontrollera att det finns 24 V AC på ingångsplintarna 1 och 2 samt på utgångsplintarna 3 och 4. Om det inte finns spänning på utgångsplintarna 3 och 4 är det antingen kortslutning eller överbelastning i de komponenter som matas från dessa plintar (3 och 4).
	Ingen 24 V DC på matningsplintar för aktuatorer: (+18- J20) (+21- J23) (+24- J26) (+27- J29)	Lossa de anslutna ledningar i plintarna och kontrollera att det finns spänning på plintarna. Om det kommer spänning på plintarna efter frånkopplingen är det stor sannolikhet för att ledningarna till aktivatoren är kortslutna. Eliminera kortslutningen och anslut aktivatoren igen. Kontrollera spänningen igen.
	Defekt OJ GreenZone™ Module A.	Lossa de anslutna ledningar i plintarna och kontrollera att det finns spänning på plintarna. Om det inte kommer spänning på plintarna efter frånkopplingen är det stor sannolikhet för att OJ GreenZone™ Module A är defekt. Byt OJ GreenZone™ Module A.
	Fel i elanslutningen.	Kontrollera elanslutningarna.
	Defekt ventil eller VAV-aktuator.	Byt aktivatoren.
Givare till ingångstemperatur visar fel	Fel i elanslutningen.	Kontrollera elanslutningarna.
	Givaren är defekt: kortsluten eller brott.	Kontrollera givaren. Lossa de anslutna ledningarna på plintarna 30 och 31 och kontrollmät med en ohmmeter. Om det är avbrott i givaren visar ohmmetern oändlig stor resistans. Om givaren är kortsluten visar ohmmetern ca 0,0 ohm. Om givaren är OK ska ohmmetern visa ca 1 078 ohm vid en givartemperatur på 20 °C. Byt givaren om den är defekt.
	Fel givartyp.	Givaren ska vara av typen PT1000. Det betyder att givarens resistans ska vara ca 1 078 ohm vid 20 °C.
	Defekt OJ GreenZone™ Module A.	Byt OJ GreenZone™ Module A.
	Defekt OJ GreenZone™ Module A.	Byt OJ GreenZone™ Module A.

Symptom	Orsak	Åtgärd
Frostlarmet fungerar inte	Frosttermostaten är felaktigt ansluten.	Kontrollera kablarna och anslutningarna, se fig. 12.
	Defekt OJ GreenZone™ Module A.	Byt OJ GreenZone™ Module A.
	Felaktig webbkonfigurering av frosttermostaten.	Den korrekta konfigureringen av ingången framgår av installationsanvisningarna.
Fönsterkontakten fungerar inte	Fönsterkontakten är felaktigt ansluten.	Kontrollera kablarna och anslutningarna, se fig. 12.
	Defekt OJ GreenZone™ Module A.	Byt OJ GreenZone™ Module A.
	Felaktig webbkonfigurering av fönsterkontakten.	Den korrekta konfigureringen av ingången framgår av installationsanvisningarna.
PIR-givaren fungerar inte	PIR-givaren är felaktigt ansluten.	Kontrollera kablarna och anslutningarna, se fig. 12.
	Defekt OJ GreenZone™ Module A.	Byt OJ GreenZone™ Module A.
Temperaturförskjutning fungerar inte	Temperaturförskjutningen är felaktigt ansluten.	Kontrollera kablarna och anslutningarna, se fig. 11.
	Defekt OJ GreenZone™ Module A.	Byt OJ GreenZone™ Module A.



Norsk



## FIGUROVERSIKT

Følgende figurer finnes bakerst i veiledningen:

- Fig. 1: OJ GreenZone™ Module A
- Fig. 2: Målskjema
- Fig. 3: Oversikt over tilkoblinger i OJ GreenZone™ Module A
- Fig. 4: Tilkobling av Modbus-kommunikasjon
- Fig. 5: Klemmen "Modbus in"
- Fig. 6: RJ12 Modbus-kontakt
- Fig. 7: Tilkobling Modbuskabel
- Fig. 8: Tilkobling av spenningsforsyning
- Fig. 9: Klemmer for viderekobling til spenningsforsyning
- Fig. 10: Tilkobling av PT1000- og CO2-føler
- Fig. 10A: Tilkobling av fuktighetsføler
- Fig. 11: Tilkobling av temperaturforykningsregulator
- Fig. 12: Tilkobling av frosttermostat
- Fig. 13: Klemmen "Modbus out"
- Fig. 14: Tilkobling av aktuatorer for VAV-avtrekk
- Fig. 14A: Tilkobling av aktuatorer for VAV-tilluft
- Fig. 15: Tilkobling av PT1000-føler, tilluft
- Fig. 16: Tilkobling av varmeventil-aktuatorer
- Fig. 16A: Tilkobling av kjøleventil-aktuatorer
- Fig. 17: 2-sifret display
- Fig. 18: RJ12-kontakt, "Modbus-sensor"
- Fig. 19: Konfigureringsoversikt
- Fig. 20: Tilkobling av vinduskontakt
- Fig. 21: Tilkobling av PIR-føler

## GENERELT

OJ GreenZone™ Module A er en elektronisk styring (controller) for å styre en VAV-sone i et ventilasjonssystem. OJ GreenZone™ Module A inneholder alle de funksjonene som kreves for å styre en VAV-sone optimalt med hensyn til energi og komfort.



## BESKRIVELSE

OJ GreenZone™ Module A styrer VAV-spjeld, temperatur, CO2 og luftfuktighet i rommet, avhengig av hvilke følere som er tilkoblet OJ GreenZone™ Module A.

OJ GreenZone™ Module A er selvkonfigurerende. Det betyr at controlleren vil foreta en test av de tilkoblede enhetene og deretter regulere sonen optimalt på grunnlag av tilkoblede komponenter, følere, aktuatorer mv., når installasjonen er avsluttet, og det blir satt spenning på OJ GreenZone™ Module A.

Innstillinger og betjening utføres via den innbygde Web-serveren, og adgang til Web-serveren foregår gjennom den tilkoblede OJ GreenZone™ Master.

Til hver OJ GreenZone™ Master kan det tilkobles maks. 25 stk. OJ GreenZone™ Module A. OJ GreenZone™ Module A er utstyrt med 4 x 0-10 V DC til ventil- og spjeldmotorer.

## PRODUKTPROGRAM

### Produkter fra OJ Electronics

Type	Produkt
OJ-ZoneMaster	Mastermodulen kan styre opptil 25 OJ-ZoneModul-A-enheter.
OJ-ZoneModule-A	Sonemodul for styring av én sone
OJ-RPT-20T	Romstyringspanel med berørings skjerm
TTH-6202	Kanaltemperaturtransmitter med Modbus
TTH-6040-W	Romtemperaturtransmitter med Modbus
HTH-6202	Kanalfuktighets- og temperaturføler med Modbus
VTH-6202	Kanal-VOC-føler (damp fra flyktige organiske forbindelser [VOC])
OJ-Air2PWR80	Strømforsyning, 2x24 V AC, 2x60 V A
ETT-KH	Deksel til OJ-Module-A, veggmontering
ETFWP-998	PT1000-romføler med skive for justering av settpunktet for temperatur
ETF-1098L1-4	PT1000-kanalføler (°C)
ETF-998-H	PT1000-romføler (°C), 80x80 mm

### Produkter fra andre leverandører

Type	Produkt
Belimo type LMV-D3, NMV-D3	VAV-spjeld, 0–10 V
Belimo-type, CQ24A-SR, LR24A, NR24A, SR24A	Varmeventil, 0–10 V
Belimo-type, CQ24A-SR, LR24A, NR24A, SR24A	Kjøleventil, 0–10 V

Type	Produkt
050-8-0004 eSENSE Duct	CO <sub>2</sub> -føler for montering i kanal
Thermokon TFR 1,8, TFR 1,8-R	Frosttermostat med 1,8 m kapillarrør
Thermokon WRF06I / RDI	Bevegelsesføler for overflatemontering
Telekabel, Type: TD6006 Black	Telekabel, 6-leder, fabrikkat INEC
TE Connectivity teleplugg, RJ12	Modulær teleplugg 6/6, RJ12 std. plugg

## INSTALLASJON

OJ GreenZone™ Module A installeres på en standard 35 mm DIN-skinne, i en kapsling som tilsvarer klassifiseringen for installasjonsstedet (se mål i fig. 2). Kapslingen er IP20, og ETT-KH fra OJ Electronics kan benyttes som en slik avdekning. Den mest hensiktsmessige plasseringen vil oftest være tett på de andre tilkoblede komponentene, ventilene, følerne mv. i VAV-sonen. Mekanisk konfigurasjon ses av fig. 19.

En optimal plassering kunne ev. være over en nedhengt takkledning.

OJ GreenZone™ Module A må tilføres 24 V AC, +/-15 % og er derfor forsynt med klemmer for viderekobling (maks. 1,5 mm<sup>2</sup>) til dette formålet (se fig. 8 og 9).

Andre tilkoblinger er en kombinasjon av RJ12-kontakter og skrueterminaler til maks. 1,5 mm<sup>2</sup> ledningstilkobling (se fig. 3).

### Tilkoblinger og visninger (se oversikt fig. 1)

I fig. 3 er alle tilkoblingene markert med bokstavene (A – P).

Se beskrivelse under av elektrisk tilkobling for hver enkelt komponent, inn- og utganger samt andre signaler og visninger på OJ GreenZone™ Module A.

### Tilkobling av VAV-spjeldmotorer (se fig. 3, 14 og 14A)

OJ GreenZone™ Module A kan styre 2 x VAV-spjeld, et VAV-spjeld i avtrekks- og et VAV-spjeld i tilluftkanalen. VAV-spjeldmotorer styres med 0-10 V signal.

- VAV-spjeldmotor på avtrekkskanalen til sonen tilkobles klemme 18, 19 og 20 (se fig. 14)
- VAV-spjeldmotor på tilluftskanal til sonen tilkobles klemme 21, 22 og 23 (se fig. 14A)

### Tilkobling av ventilmotorer for varme- og kjølesystem (se fig. 3, 16 og 16A)

OJ GreenZone™ Module A kan styre 2 x 0-10 V ventilmotorer, en ventilmotor til et ev. varmebatteri og en ventilmotor til et ev. kjølebatteri plassert i tilluftskanalen.

Ventilmotorer styres med 0-10 V signal.

- Varmeventilen tilkobles klemme 24, 25 og 26 (se fig. 16)
- Kjøleventilen tilkobles klemme 27, 28 og 29 (se fig. 16A)

### Tilkobling av temperaturføler i innløpskanal (se fig. 3 og 15)

Det er mulig å tilkoble en føler plassert i tilluftskanal. Følerens aktuelle verdi vises på websiden til sonen. Temperaturen benyttes til styring av tilluftstemperaturen.

**OBS!** Føleren skal være av typen PT1000.

- Føleren tilkobles klemme 30 og 31 (se fig. 15)

### Display "G" (se fig. 3 og 17)

OJ GreenZone™ Module A har et 2-sifret display (fig. 3, pkt. "G").

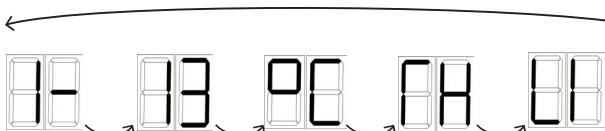
Displayet har forskjellige visninger som vist i "Tabell 3" under.

Displayet skifter (blinker) mellom de aktiverte funksjonene og visningene.

Eksempel:

Hvis OJ GreenZone™ Module A f.eks. er konfigurert slik:

- Tilkoblet OJ GreenZone™ Master 1
- Tildelt sone 13 fra OJ GreenZone™ Master
- Det er montert en PT1000-temperaturføler i tilluftkanalen
- Det er montert en kombinert temperatur-/fuktighetsføler i avtrekkskanalen (HTH-6202)



- vil displayvisningen skifte mellom følgende visninger:

**Tabell 3**

Dis-playvis-ning	Anmerkning
1-	Aktuelt er OJ GreenZone™ Module A integrert i soneseksjon 1 (ZoneMaster1)
2-	Aktuelt er OJ GreenZone™ Module A integrert i soneseksjon 2 (ZoneMaster2)
3-	Aktuelt er OJ GreenZone™ Module A integrert i soneseksjon 3 (ZoneMaster3)
4-	Aktuelt er OJ GreenZone™ Module A integrert i soneseksjon 4 (ZoneMaster4)

Dis-playvis-ning	Anmerkning
5-	Aktuelt er OJ GreenZone™ Module A integrert i soneseksjon 5 (ZoneMaster5)
13	Viser aktuelt nummer (adresse) på OJ GreenZone™ Master (Intervall: 1 – 25)
°C	Temperaturføler korrekt tilkoblet (tilluft-, avtrekks- eller romføler)
CO	CO2-føler korrekt tilkoblet (avtrekks- eller romføler)
RH	Fuktighetsføler (HTH-6202) koblet til riktig (utblåsningsføler)
RP	Romstyringspanel OJ-RPT-20T koblet til riktig
LI	To temperaturfølere tilkoblet
SC	Føler kortsluttet
9	Soneseksjonsnummer er enda ikke tildelt fra OJ GreenZone™ Master
99	Sonenummer (-adresse) er enda ikke tildelt fra OJ GreenZone™ Master
SU	Programvareoppdatering i gang

### Tilkobling av "H" – Modbuss-følere (°C, % RF, VOC) (se fig. 3 og 18)

OJ GreenZone™ Module A har en Modbuss-inngang for tilkobling av Modbuss-følere (fig. 3 og 18).

Det er mulig å tilkoble følere fra OJ Electronics av typen:

- OJ-RPT-20T (romstyringspanel med innebygd temperaturføler)
- TTH-6202 (kanaltemperaturføler)
- TTH-6040-W (romtemperaturføler)
- VTH-6202 (VOC-føler)
- HTH-6202 (kombinert temperatur- og fuktighetsføler)

I store rom der du vil måle temperaturen flere steder, kan det monteres opptil 1 x OJ-RPT-20T, 1 x TTH-6040-W med innstillingsskiven i stilling 1 og 1 x TTH-6040-W med innstillingsskiven i stilling 2. Sonemodulen beregner og bruker automatisk gjennomsnittstemperaturen fra disse følerne. Klemmene i RJ12-pluggen fremgår av fig. 6.

**Tilkobling av "J" – "Modbus in", tilgang** (se fig. 3 og 5)

OJ GreenZone™ Module A har en "Modbus In" (se fig. 3 og 5) og en "Modbus Out" (se fig. 3 og 13) RJ12-tilkobling og integreres i sonekontrollsystemet med en standard Modbuss RJ12-kabel (se fig. 4). Klemmene i RJ12-Modbuss-pluggen fremgår av fig. 6. Maks. kabellengde mellom 2 stk. OJ GreenZone™ Module A er 100 m. Maks. total-lengde på Modbuss-kaskadekabel mellom OJ GreenZone™ Module A-enhetene er 2500 m. Modbuss-kabel utføres som vist i fig. 7. Når den gule lysdioden blinker regelmessig, er Modbus-kommunikasjonen OK.

**Tilkobling av "K" – spenningsforsyning** (se fig. 8 og 9)

OJ GreenZone™ Module A skal ha 24 V AC (se fig. 8 og 9).

24 V AC-tilkoblingen har klemmer for viderekobling til maks. 2 stk. OJ GreenZone™ Module A. Utgangsklemmer (klemme ø3 og ø4) er kortslutningssikrede.

Det betyr at OJ GreenZone™ Module A stadig fungerer, selv om det er en kortslutning på utgangsklemmene (ø3 og ø4). Derfor vil det bare være de etterfølgende OJ GreenZone™ Module A-enhetene som får feil og blir koblet fra hvis det opptrer en kortslutning på klemme ø3 og ø4. Anbefalt ledningstverrsnitt er 2x1,5 mm<sup>2</sup>. Når den grønne lysdioden blinker regelmessig, er Modbus-kommunikasjonen OK.

**OBS!**

På grunn av denne kortslutningssikringen ligger det en begrensning på hvor stor belastning det kan legges på utgangsklemmene (ø3 og ø4). Denne begrensningen betyr at det kan MAKS. tilkobles 2 stk. OJ GreenZone™ Module A på utgangsklemmene ø3 og ø4 (se fig. 9).

**Tilkobling av "L" – PT1000-temperaturføler, fukt- og CO2-føler** (se fig. 3, 10 og 10a)

OJ GreenZone™ Module A er utstyrt med innganger til analoge følere (se fig. 3, 10 og 10a). Man kan tilkoble en standard PT1000-føler og en CO2-føler med et standard utgangssignal 0-10 V DC = 0-2000 ppm.

Følerne tilkobles RJ12-inngangen merket med "L" i fig. 3.

*Merk: Denne inngangen er ikke en Modbuss-inngang.*

Romtemperaturføler: PT1000-romtemperaturføleren kan være montert i utblåsningskanalen eller i rommet. Den kobles til klemme 9 og 10 (se fig. 10).

0-10 V DC-inngang

til CO2-føler:

CO2-føleren kan være en føler plassert i avtrekkskanalen eller i rommet. Den tilkobles ben nummer 1, 4 og 6 til RJ12-pluggen (se fig. 10).

**0-10 V DC-inngang**

til fuktighetsføler: Fuktighetsføleren kan være plassert i avtrekkskanalen eller rommet. Den skal kobles til pinne 5, 6 og 8 i RJ12-kontakten (se fig. 10).

Hvis det ikke er koblet noen Modbus-temperaturføler til kontakten merket «H», vil PT1000-føleren koblet til denne inngangen («L»), automatisk bli konfigurert som en utblåsnings-/romføler.

Hvis det er montert en Modbus-temperaturføler i inngangen merket "H", har Modbus-følerverdiene høyere prioritet enn fuktighetsføleren på klemme 7 og temperaturføleren på klemme 10.

**Tilkobling av "M" – Temperaturforskyvning (°C)** (se fig. 3 og 11)

OJ GreenZone™ Module A har en inngang for tilkobling av en betjeningsenhet for at brukeren kan forskyve romtemperaturen (se fig. 3 og 11). Fra Web-brukergrensesnittet kan temperaturforskyvningen innstilles på +/-3 °C eller +/-5 °C. ETFWP-998-potensiometeret for temperaturforskyvning fra OJ Electronics har en PT-1000-romføler i tillegg til potensiometerfunksjonen.

**OBS!**

Hvis man benytter alternative potensiometre, må potensiometermotstanden være min. 4,7 kΩ og maks. 22 kΩ.

**Tilkobling av "N" – Vinduskontakt, frostalarm og PIR-føler** (se fig. 3)

OJ GreenZone™ Module A har digitale innganger for tilkobling av vinduskontakt, frosttermostat og PIR-føler. På oversiktsfiguren (fig. 3) er inngangsklemmene markert med "N".

**Frosttermostat**

Frosttermostaten monteres mekanisk på varmeplaten. Frosttermostaten kan være Danfoss type KP61, Thermokon type TFR, TFR-R eller lignende med kolbe eller kapillarrør. Kolbe eller kapillarrør må festes til varmeplaten i luftstrømmen på den varme siden av varmeplaten. Hvis frosttermostaten blir aktivert (digital inngang åpnes), vil den monterte varmeventilen tvangsåpne 100 %.

Elektrisk tilkobling av frosttermostaten er som vist i fig. 12. Frosttermostatens NC-kontakt må benyttes slik at inngangen er sluttet når det ikke er frostfare. Inngangen er fra fabrikk utstyrt med en bro.

### Vinduskontakt

Vinduskontakten monteres mekanisk på det eller de vinduene som skal overvåkes. Hvis flere vinduer skal overvåkes, kobles vinduskontaktene i serie. Hvis vinduene åpnes (vinduskontaktene åpnes), vil varme- og kjøleventilene tvangsslukke. VAV-spjeld kan innstilles til å lukke.

Elektrisk tilkobling av vinduskontakten (-ene) er som vist i fig. 20. Vinduskontaktens NO-kontakt må benyttes, slik at inngangen er sluttet når vinduet (-ene) er stengt. Inngangen er fra fabrikk utstyrt med en bro.

### PIR-føler/bevegelsesdetektor

PIR-føleren monteres det stedet i rommet der man ønsker å registrere bevegelse. Hvis det blir benyttet flere PIR-følere, kobles PIR-følerne parallelt. Hvis PIR-føleren (-ne) registrerer bevegelse i rommet, vil sonen bli aktiv og regulere iht. innstilte driftsparametre. Elektrisk tilkobling av PIR-føleren (-ne) er som vist i fig. 21.

PIR-følerens (-nes) NO-kontakt må benyttes, slik at inngangen er sluttet når det blir registrert bevegelse i rommet.

### Tilkobling av "P" – "Modbus out" tilgang (se fig. 3 og 13)

OJ GreenZone™ Module A har en "Modbus In" (se fig. 3 og 5) og en "Modbus Out" (se fig. 3 og 13) RJ12-tilkobling og integreres i sonekontrollsystemet med en standard Modbuss RJ12-kabel (se fig. 4, 5 og 13). Klemmene i RJ12-Modbuss-pluggen fremgår av fig. 6. Modbuss-kabel utføres som vist i fig. 7. Når den grønne lysdioden blinker regelmessig, er Modbus-kommunikasjonen OK.

### Adressering av OJ GreenZone™ Module A

Adresseringen av OJ GreenZone™ Module A foregår helt automatisk fra den tilkoblede OJ GreenZone™ Master.

Adressen vises i displayet på OJ GreenZone™ Module A (se Tabell 3 i denne veiledningen). Mer informasjon ang. adressering finnes i bruksanvisningen til OJ GreenZone™ Master samt installatorveiledningen til OJ Green Zone.

### Sikring av data i OJ GreenZone™ Module A

Ved kommunikasjonsfeil og/eller strøbrudd til OJ GreenZone™ Module A vil alle data bli lagret. Ved reetablering av kommunikasjon og/eller spenningsforsyning fungerer og starter OJ GreenZone™ Module A igjen opp i normal drift.

**TEKNISKE DATA**

Matespenning	24 V AC +/-10 % (se fig. 8 og 9)
Forbruk, ingen last	< 2,3 VA
Forbruk med maks last	< 52 VA
24 VAC-utgang, kortslutningsvern	< 24 VA
Omgivelsestemperatur	-20/+40 °C (drift) (kortvarig -30/+50 °C)
Omgivelsestemperatur, lagring	-30/+70 °C
Modbuss-tilkoblinger, kaskadekoblinger	2 x RJ12-kontakt (6P6C)
Aktuatortilkoblinger	4 x 3 x 1,5 mm <sup>2</sup> skrueterminaler
Aktuatoroutput	4 x 0–10 VDC
Aktuatorforsyning	4 x 24 VDC, 0,25 A
Modbuss, føler-tilkoblinger	1 x RJ12-kontakt (6P6C)
Følerforsyning	1 x 24 VDC, 0,25 A
Modbuss-kommunikasjon	RS-485, 38,4 kBaud, 24 V DC
Modbussadresse, OJ Zone Module	.Selvkonfigurerende
Digitale innganger	2 x innbygd pull-up
Følerforsyning	1 x 24 VDC, 0,1 A
Følerinnganger	2 x PT1000
Spenningsinngang	2 x 0-10 V DC
Måleområde, fukt	0–100 % RF
Måleområde, temperatur	–40–100 °C
Måleområde, CO <sub>2</sub>	0–2000 ppm
Kapslingsklasse	IP20
Dimensjoner	(se fig. 2)
Vekt	270 g

**SERVICE OG VEDLIKEHOLD**

OJ GreenZone™ Module A inneholder ingen komponenter som krever service eller vedlikehold.

Vennligst kontakt leverandøren i tilfelle av problemer.

**MILJØ OG FJERNING AV AVFALL**

Vær med på å beskytte miljøet ved å avhende emballasje og brukte produkter på en miljøriktig måte.

**Avhending av produktet**

Produkter med dette merket må ikke avhendes som alminnelig husholdningsavfall, men må samles inn særskilt i henhold til gjeldende lokale regler.



**OJ ELECTRONICS A/S**

Stenager 13B · DK-6400 Sønderborg

Tlf. +45 73 12 13 14 · Faks +45 73 12 13 13

oj@ojelectronics.com · www.ojelectronics.com

**CE-MERKING**

2004/108/EØF EMC-DIREKTIVET

Europaparlamentets og -rådets direktiv av 15. desember 2004 om tilnærming av medlemsstatenes lovgivning om elektromagnetisk kompatibilitet og opphevelse av direktiv 89/336/EEC.

2006/95/EØF LAVSPENNINGSDIREKTIVET

Rådsdirektiv 2006/95/EF av 12. desember 2006 om tilnærming av medlemsstatenes lovgivning om elektrisk utstyr bestemt til bruk innenfor visse spenningsgrenser.

**Benyttede standarder**

EN 60730-1 2000 / Automatiske, elektriske kontrollorganer for husholdnings- og lignende bruk. Del 1: Generelle sikkerhetskrav.

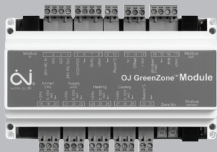
**FEILSØKING**

Symptom	Årsak	Handling
Ingenting virker på OJ GreenZone™ Module A – Ikke lys i display.	Ingen spenning	Kontroller at det er 24 V AC på tilgangsklemme 1 og 2 og på utgangsklemme 3 og 4. Hvis det ikke er spenning på utgangsklemme 3 og 4, er det enten en kortslutning eller overbelastning på de komponentene som får strøm fra disse klemmene (3 og 4).
	Defekt OJ GreenZone™ Module A	Bytt OJ GreenZone™ Module A.
Ingen kommunikasjon til OJ GreenZone™ Module A	Dårlig eller ingen forbindelse i Modbuss-kabel	Kontroller Modbuss-kabel. Konfigurering av Modbuss-kabel og -forbindelser er vist i fig. 6 og 7. Utfør reparasjon eller bytt defekt Modbuss-kabel.
	Feil tilkobling av Modbuss-kabel	Kontroller om Modbuss-kommunikasjonskabler er tilkoblet "Modbus in"-kontakten og viderekoblet til neste OJ GreenZone™ Module A fra "Modbus out"-kontakten. (se fig. 4, 5, 13.)
	Defekt OJ GreenZone™ Module A	Bytt OJ GreenZone™ Module A.

Symptom	Årsak	Handling
Display viser "9"	OJ GreenZone™ Module A har enda ikke mottatt informasjon om seksjonsnummer fra OJ GreenZone™ Master	Vent til OJ GreenZone™ Master har tildelt seksjonsnummer til OJ GreenZone™ Module A.
Display viser "9"	Dårlig eller ingen forbindelse i Modbuss-kabel	Kontroller Modbuss-kabel. Konfigurering av Modbuss-kabel og -forbindelser er vist i fig. 6 og 7. Utfør reparasjon eller bytt defekt Modbuss-kabel.
	Defekt OJ GreenZone™ Master	Bytt OJ GreenZone™ Master
	Defekt OJ GreenZone™ Module A	Bytt OJ GreenZone™ Module A.
Display viser "99"	OJ GreenZone™ Module A har enda ikke mottatt informasjon om sonenummer fra OJ GreenZone™ Master	Vent til OJ GreenZone™ Master har tildelt sonenummer til OJ GreenZone™ Module A.
	Dårlig eller ingen forbindelse i Modbuss-kabel	Kontroller Modbuss-kabel. Konfigurering av Modbuss-kabel og -forbindelser er vist i fig. 6 og 7. Utfør reparasjon eller bytt defekt Modbuss-kabel.
	Defekt OJ GreenZone™ Master	Bytt OJ GreenZone™ Master
	Defekt OJ GreenZone™ Module A	Bytt OJ GreenZone™ Module A.
Display viser "SC"	Føler kortslettet	Kontroller tilkoblet PT1000-føler. Føleren er tilkoblet i RJ12-kontaken merket med "L" i fig. 3 – korrekt tilkobling er vist i fig. 10. Utfør motstandsmåling av føleren: Den målte motstanden skal være ca. 1078 Ω ved 20 °C.
Tilkobling til VAV-spjeld eller varme-/kjøleventil virker ikke	Ingen spenningsforsyning til OJ GreenZone™ Module A	Kontroller at det er 24 V AC på tilgangsklemme 1 og 2 og på utgangsklemme 3 og 4. Hvis det ikke er spenning på utgangsklemme 3 og 4, er det enten en kortslutning eller overbelastning på de komponentene som får strøm fra disse klemmene (3 og 4).

Symptom	Årsak	Handling
	Ingen 24 V DC på inngangsklemmer til aktuatorer: (+18- ↘20) (+21- ↘23) (+24- ↘26) (+27- ↘29)	Fjern tilkoblede ledninger på klemmene, og kontroller at det er spenning på dem. Er det spenning på klemmene etter avlastning, er det stor sannsynlighet for at de tilkoblede ledningene til aktuatoren er kortsluttet. Fjern kortslutningen og koble til aktuatoren igjen. Kontroller spenningen igjen.
Tilkobling til VAV-spjeld eller varme-/kjøleventil virker ikke	Defekt OJ GreenZone™ Module A	Fjern tilkoblede ledninger på klemmene, og kontroller at det er spenning på dem. Hvis det ikke er spenning på klemmene etter avlastning, er det stor sannsynlighet for at OJ GreenZone™ Module A er defekt. Bytt OJ GreenZone™ Module A
	Feil i elektrisk tilkobling	Kontroller elektrisk tilkobling
	Defekt ventil eller VAV-aktuator	Bytt aktuatoren
Føler for inntakstemperatur viser feil	Feil i elektrisk tilkobling	Kontroller elektrisk tilkobling
	Føleren er defekt: kortsluttet eller avbrutt	Kontroller føleren. Demonter tilkoblede ledninger på klemmene 30 og 31 og foreta kontrollmåling med et ohmmeter. Ved avbrutt føler vil den målte motstanden være uendelig stor og ved kortsluttet føler vil målingen vise ca. 0,0 ohm. Hvis føleren er OK, vil den målte verdien være ca. 1078 ohm ved en følertemperatur på 20 °C. Bytt føler hvis den er defekt.
	Feil type føler	Føleren skal være av typen PT1000. Det betyr at den målte, ohmske verdien på føleren vil være ca. 1078 ohm ved 20 °C.
	Defekt OJ GreenZone™ Module A	Bytt OJ GreenZone™ Module A
Frostalarm virker ikke	Frosttermostat feil tilkoblet	Kontroller kabelforbindelser og tilkoblinger (se fig. 12).
	Defekt OJ GreenZone™ Module A	Bytt OJ GreenZone™ Module A.
	Feil Web-konfigurering av frosttermostat	Se korrekt konfigurering av inngang i Installasjonsveiledning.
Vinduskontakt virker ikke	Vinduskontakt feil tilkoblet	Kontroller kabelforbindelser og tilkoblinger (se fig. 12).
	Defekt OJ GreenZone™ Module A	Bytt OJ GreenZone™ Module A.

Symptom	Årsak	Handling
	Feil Web-konfigurering av vinduskontakt	Se korrekt konfigurering av inngang i Instal-latorveiledning.
PIR-sensor virker ikke	PIR-sensor feil tilkoblet	Kontroller kabelforbindelser og tilkoblinger (se fig. 12).
PIR-sensor virker ikke	Defekt OJ GreenZone™ Module A	Bytt OJ GreenZone™ Module A.
Temperaturforskyvning virker ikke	Temperaturforskyvning feil tilkoblet	Kontroller kabelforbindelser og tilkoblinger (se fig. 11).
	Defekt OJ GreenZone™ Module A	Bytt OJ GreenZone™ Module A.



Dansk

## FIGUROVERSIGT

Følgende figurer findes bagerst i instruktionen:

- Fig. 1: OJ GreenZone™ Module A
- Fig. 2: Målskema
- Fig. 3: Oversigt over tilslutninger i OJ GreenZone™ Module A
- Fig. 4: Tilslutning af Modbus-kommunikation
- Fig. 5: Klemmen "Modbus in"
- Fig. 6: RJ12 Modbus-stik
- Fig. 7: Forbindelse Modbus-kabel
- Fig. 8: Tilslutning af spændingsforsyning
- Fig. 9: Sløjfeklummer til spændingsforsyning
- Fig. 10: Tilslutning af PT1000- og CO2-føler
- Fig. 10A: Tilslutning af fugtføler
- Fig. 11: Tilslutning af temperatursætpunkt
- Fig. 12: Tilslutning af frosttermostat
- Fig. 13: Klemmen "Modbus out"
- Fig. 14: Tilslutning af udsugning, VAV-aktuatorer
- Fig. 14A: Tilslutning af indblæsning, VAV-aktuatorer
- Fig. 15: Tilslutning af PT1000-føler, indblæsning
- Fig. 16: Tilslutning af varmeventil, aktuatorer
- Fig. 16A: Tilslutning af køleventil, aktuatorer
- Fig. 17: 2-cifret display
- Fig. 18: RJ12-stik, "Modbus-sensor"
- Fig. 19: Konfigurationsoversigt
- Fig. 20: Tilslutning af vindueskontakt
- Fig. 21: Tilslutning af PIR-sensor

## GENERELT

OJ GreenZone™ Module A er en elektronisk styring (controller) til at styre en VAV-zone i et ventilationssystem med. OJ GreenZone™ Module A indeholder alle de funktioner, som kræves for at styre en VAV-zone energi- og komfortoptimalt.

## BESKRIVELSE

OJ GreenZone™ Module A styrer VAV-spjæld, temperatur, CO2 og luftens fugtighed i rummet, afhængig af hvilke følere der er tilsluttet OJ GreenZone™ Module A.

OJ GreenZone™ Module A er selvkonfigurerende. Det betyder, at controlleren vil foretage en test af de tilsluttede enheder og derefter regulere zonen optimalt på basis af de tilsluttede komponenter, følere, aktuatorer m.v., når installationen er afsluttet og OJ GreenZone™ Module A sættes under spænding.

Indstillinger og betjening foretages via den indbyggede webserver, og adgang til webserveren foregår gennem den tilsluttede OJ GreenZone™ Master.

Til hver OJ GreenZone™ Master kan der tilsluttes maks. 25 stk. OJ GreenZone™ Module A. OJ GreenZone™ Module A er forsynet med 4 x 0-10 VDC til ventil- og spjældmotorer.

## PRODUKTPROGRAM

### PRODUKTER FRA OJ Electronics

Type	Produkt
OJ-ZoneMaster	Mastermodul til styring af maks. 25 stk. OJ-ZoneModul-A
OJ-ZoneModule-A	Zonemodul til styring af én zone
OJ-RPT-20T	Rumbetjening med touchskærm
TTH-6202	Kanal temperatur transmitter med Modbus
TTH-6040-W	Rum temperatur transmitter med Modbus
HTH-6202	Kanal fugt- og temperatur transmitter med Modbus
VTH-6202	Kanal VOC transmitter med Modbus (kombinationsgasser)
OJ-Air2PWR80	Strømforsyning, 2x24 VAC, 2x60 VA
ETT-KH	Afdækning til OJ-Module-A, vægmontage
ETFWP-998	PT1000 rumføler med drejeknap til justering af temperatursætpunkt
ETF-1098L1-4	PT1000-kanalføler (°C)
ETF-998-H	PT1000-rumføler (°C), 80x80 mm

### Produkter fra øvrige leverandører

Type	Produkt
Belimo type LMV-D3, NMV-D3	VAV-spjæld 0-10V
Belimo type CQ24A-SR, LR24A, NR24A, SR24A	Varmeventil 0-10V
Belimo type CQ24A-SR, LR24A, NR24A, SR24A	Køleventil 0-10V
050-8-0004 eSENSE Duct	CO2-føler til kanalmontage

Type	Produkt
Thermokon TFR 1,8, TFR 1,8-R	Frosttermostat med 1,8 m kapillarrør
Thermokon WRF06I / RDI	Bevægelsesføler til overflademontering
Telekabel, Type:TD6006 Black	Telekabel, 6-leder, fabrikat INEC
TE Connectivity Telestik, RJ12	Modulært telestik 6/6, RJ12 std. stik

## INSTALLATION

OJ GreenZone™ Module A installeres på en standard 35 mm DIN-skinne, i en kapsling som modsvarer installationsstedets klassificering (se mål i fig. 2). Kapslingen er IP20, og ETT-KH fra OJ Electronics kan anvendes som en sådan afdækning. Den mest hensigtsmæssige placering vil oftest være tæt på VAV-zonens øvrige tilsluttede komponenter, ventiler, følere m.v. Mekanisk konfiguration fremgår af fig. 19.

En optimal placering kunne evt. være over en nedhængt loftsbeklædning.

OJ GreenZone™ Module A skal forsynes med 24 VAC, +/-15 % og er derfor forsynet med sløjfeklæmmer (maks. 1,5 mm<sup>2</sup>) til formålet (se fig. 8 og 9).

Øvrige tilslutninger er en kombination af RJ12-stikforbindelser og skrueterminaler til maks. 1,5 mm<sup>2</sup> ledningstilslutning (se fig. 3).

### Tilslutninger og indikeringer (se oversigt fig. 1)

I fig. 3 er alle tilslutninger markeret med et bogstav (A – P).

Se nedenstående beskrivelse af elektrisk tilslutning for hver enkelt komponent, ind- og udgange samt øvrige signaler og indikeringer på OJ GreenZone™ Module A.

### Tilslutning af VAV-spjældmotorer (se fig. 3, 14 & 14A)

OJ GreenZone™ Module A kan styre 2 x VAV-spjæld; et VAV-spjæld i udsugnings- og et VAV-spjæld i indblæsningskanalen. VAV-spjældmotorer styres med 0-10 V signal.

- VAV-spjældmotor på zonens udsugningskanal tilsluttes klemme 18, 19 & 20 (se fig. 14)
- VAV-spjældmotor på zonens indblæsningskanal tilsluttes klemme 21, 22 & 23 (se fig. 14A)

### Tilslutning af ventilmotorer til varme- og kølesystem (se fig. 3, 16 & 16A)

OJ GreenZone™ Module A kan styre 2 x 0-10 V ventilmotorer; en ventilmotor til en evt. varmefflade og en ventilmotor til en evt. kølefflade, placeret i indblæsningskanalen.

Ventilmotorer styres med 0-10 V signal.

- Varmeventilen tilsluttes klemme 24, 25 & 26 (se fig. 16)
- Køleventilen tilsluttes klemme 27, 28 & 29 (se fig. 16A)

**Tilslutning af indblæsning temperaturføler**(se fig. 3 & 15)

Der er mulighed for at tilslutte en føler placeret i indblæsningskanalen. Følerens aktuelle værdi vises på zonen's webside. Temperaturen anvendes til styring af indblæsningstemperaturen.

**OBS!** Føleren skal være af typen PT1000.

- Føleren tilsluttes klemme 30 & 31 (se fig. 15)

**Display "G"** (se fig. 3 og 17)

OJ GreenZone™ Module A er forsynet med et 2-cifret display (fig. 3, pkt. "G").

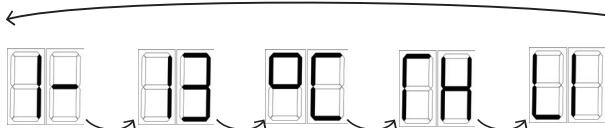
Displayet har forskellige visninger som vist i nedenstående "Tabel 3".

Displayet skifter (flasher) mellem de aktiverede funktioner og visninger.

Eksempel:

Hvis OJ GreenZone™ Module A f.eks. er konfigureret således:

- Tilsluttet OJ GreenZone™ Master 1
- Tildelt zone 13 fra OJ GreenZone™ Master
- Der er monteret en PT1000-temperaturføler i indblæsningskanalen
- Der er monteret en kombineret temperatur-/fugtføler i udsugningskanalen (HTH-6202)



- vil displayvisningen skifte mellem følgende visninger:

**Tabel 3**

Displayvisning	Bemærkning
1-	Aktuelt OJ GreenZone™ Module A er integreret i zonesektion 1 (ZoneMaster1)
2-	Aktuelt OJ GreenZone™ Module A er integreret i zonesektion 2 (ZoneMaster2)
3-	Aktuelt OJ GreenZone™ Module A er integreret i zonesektion 3 (ZoneMaster3)
4-	Aktuelt OJ GreenZone™ Module A er integreret i zonesektion 4 (ZoneMaster4)



Dis-playvis-ning	Bemærkning
5-	Aktuelt OJ GreenZone™ Module A er integreret i zonesektion 5 (ZoneMaster5)
13	Viser aktuelt nummer (adresse) på OJ GreenZone™ Master (Interval: 1 – 25)
°C	Temperaturføler korrekt tilsluttet (indblæsnings-, udsugnings- eller rumføler)
CO	CO2-føler korrekt tilsluttet (udsugnings- eller rumføler)
RH	Fugtføler (HTH-6202) korrekt tilsluttet (udsugningsføler)
RP	Rumbetjening OJ-RPT-20T korrekt tilsluttet
LI	2 temperaturfølere tilsluttet
SC	Føler kortsluttet
9	Zonesektionsnummer er endnu ikke tildelt fra OJ GreenZone™ Master
99	Zonenummer (-adresse) endnu ikke tildelt fra OJ GreenZone™ Master
SU	Software-opdatering i gang

### Tilslutning af "H" – Modbus-følere (°C, %rh, VOC) (se fig. 3 og 18)

OJ GreenZone™ Module A er forsynet med en Modbus-indgang til tilslutning af Modbus-følere (fig. 3 og 18).

Det er muligt at tilslutte følere fra OJ Electronics af typen:

- OJ-RPT-20T (Rumbetjening med indbygget temperaturføler)
- TTH-6202 (Kanal temperaturføler)
- TTH-6040-W (Rum temperaturføler)
- VTH-6202 (VOC-føler)
- HTH-6202 (Kombineret temperatur- og fugtføler)

I større rum hvor der ønskes at måle temperaturen flere steder, kan der maksimalt monteres én OJ-RPT-20T, én TTH-6040-W med drejeomskifter i stilling 1 og én TTH-6040-W med drejeomskifter i stilling 2. Zonemodulet beregner og anvender automatisk gennemsnitstemperaturen fra disse følere. Klemmebelægningen i RJ12-stikket fremgår af fig. 6.

**Tilslutning af "J" – "Modbus in", tilgang** (se fig. 3 og 5)

OJ GreenZone™ Module A er forsynet med en "Modbus In" (se fig. 3 og 5) og en "Modbus Out" (se fig. 3 og 13) RJ12-stikforbindelse og integreres i zonekontrollsystemet med et standard Modbus RJ12-kabel (se fig. 4). Klemmebelægningen i RJ12 Modbus-stikket fremgår af fig. 6. Maks. kabellængde mellem 2 stk. OJ GreenZone™ Module A er 100 m. Maks. totallængde på Modbus-kaskadekabel mellem OJ GreenZone™ Module A-enhederne er 2500 m. Modbus-kabel udføres som vist i fig. 7. Når den gule lysdiode blinker regelmæssigt, er Modbus-kommunikationen OK.

**Tilslutning af "K" – Spændingsforsyning** (se fig. 8 og 9)

OJ GreenZone™ Module A skal forsynes med 24 VAC (se fig. 8 og 9).

24 VAC-tilslutningen er forsynet med sløjfeklummer til videresløjfning til maks. 2 stk. OJ GreenZone™ Module A. Afgangsklemmer (klemme ø3 og ø4) er kortslutningssikrede. Det betyder at OJ GreenZone™ Module A stadig fungerer, selvom der er en kortslutning på afgangsklemmerne (ø3 og ø4). Det vil derfor kun være de efterfølgende OJ GreenZone™ Module A-enheder, der fejler og bliver koblet fra, hvis der optræder en kortslutning på klemme ø3 og ø4. Anbefalet ledningstværsnit er 2x1,5 mm<sup>2</sup>. Når den grønne lysdiode blinker regelmæssigt, er Modbus-kommunikationen OK.

**OBS!**

På grund af denne kortslutningssikring ligger der en begrænsning på, hvor megen belastning der kan lægges på afgangsklemmerne (ø3 og ø4). Denne begrænsning betyder, at der MAKS. kan tilsluttes 2 stk. OJ GreenZone™ Module A på afgangsklemmerne ø3 og ø4 (se fig. 9).

**Tilslutning af "L" – PT1000-temperaturføler, fugt- og CO2-føler** (se fig. 3, 10 og 10a)

OJ GreenZone™ Module A er forsynet med indgange til analoge følere (se fig. 3, 10 og 10a). Der kan tilsluttes en standard PT1000-føler samt en CO2-føler med et standard udgangssignal 0-10 VDC = 0-2000 ppm. Følerne tilsluttes skruer terminalerne mærket med "L" i fig. 3.

Rumtemperaturføler:

PT1000-rumtemperaturføleren kan være placeret i udsugningskanalen eller i rummet. Den tilsluttes skruer terminal 9 og 10. (se fig. 10).

0-10 VDC-indgang til CO2-føler:

CO2-føleren kan være en føler placeret i udsugningskanalen eller i rummet. Den tilsluttes skruer terminal 5, 6 og 8 (se fig. 10).

0-10 VDC-indgang til fugtføler:

Fugtføler kan være placeret i udsugningskanalen eller rummet. Den tilsluttes skruer terminal 6, 7 og 8 (se fig. 10a).

Hvis der ikke er monteret en Modbus temperaturføler i stikket mærket "H", vil PT1000-føleren i indgang ("L") automatisk blive konfigureret som udsugningsføler/rumføler. Hvis der er monteret en Modbus temperaturføler i stikket mærket "H", har Modbus følerværdierne højere prioritet end fugtføleren på klemme 7 og temperaturføleren på klemme 10.

### Tilslutning af "M" – Temperaturforskydning (°C) (se fig. 3 og 11)

OJ GreenZone™ Module A er forsynet med en indgang til tilslutning af en betjenings-enhed til brugerens forskydning af sætpunkt (se fig. 3 og 11). Fra webbrugerfladen kan temperaturforskydningen indstilles til +/-3 °C eller +/-5 °C.

Temperaturforskydningsstilleren ETFWP-998 fra OJ Electronics har både PT-1000 rumføler og potentiometer.

### OBS!

Hvis der anvendes alternative potentiometre, skal potentiometermodstanden være min. 4,7 kΩ og maks. 22 kΩ.

### Tilslutning af "N" – Vindueskontakt, frostalarm og PIR-sensor (se fig. 3)

OJ GreenZone™ Module A er forsynet med digitale indgange til tilslutning af vindueskontakt, frosttermostat og PIR-sensor. På oversigtsfiguren (fig. 3) er indgangsklemmerne markeret med "N".

### Frosttermostat

Frosttermostaten monteres mekanisk på varmefladen. Frosttermostaten kan være Danfoss type KP61, Thermokon type TFR eller TFR-R eller lignende med bulb eller kapillarrør. Bulb eller kapillarrør skal fastgøres til varmefladen i luftstrømmen på varmefladens varme side. Hvis frosttermostaten aktiveres (digital indgang åbnes), vil den monterede varmeventil tvangsåbne 100 %.

Elektrisk tilsluttes frosttermostaten som vist i fig. 12. Frosttermostatens NC-kontakt skal anvendes, således at indgangen er sluttet, når der ikke er frostfare. Indgangen er fra fabrik forsynet med en lus.

### Vindueskontakt

Vindueskontakten monteres mekanisk på det eller de vinduer, som skal overvåges. Hvis flere vinduer skal overvåges, forbindes vindueskontakterne i serie. Hvis vinduerne åbnes (vindueskontakterne åbnes), vil varme- og køleventiler tvangslukke. VAV-spjæld kan indstilles til at lukke.

Elektrisk tilsluttes vindueskontakten (-erne) som vist i fig. 20. Vindueskontaktens NO-kontakt skal anvendes, således at indgangen er sluttet, når vinduet (-erne) er lukket. Indgangen er fra fabrik forsynet med en lus.

### PIR-sensor/bevægelsesmelder

PIR-sensoren monteres det sted i rummet, hvor bevægelse ønskes detekteret. Hvis der anvendes flere PIR-sensorer, forbindes PIR-sensorene parallelt. Hvis PIR-sensoren (-erne) detekterer bevægelse i rummet, vil zonen blive aktiv og regulere iht. indstillede driftsparametre.

Elektrisk tilsluttes PIR-sensoren (-erne) som vist i fig. 21.

PIR-sensorens (-ernes) NO-kontakt skal anvendes, således at indgangen er sluttet, når der detekteres bevægelse i rummet.

### Tilslutning af "P" – "Modbus out", tilgang (se fig. 3 og 13)

OJ GreenZone™ Module A er forsynet med en "Modbus In" (se fig. 3 og 5) og en "Modbus Out" (se fig. 3 og 13) RJ12-stikforbindelse og integreres i zonekontrollsystemet med et standard Modbus RJ12-kabel (se fig. 4, 5 og 13). Klemmebelægningen i RJ12 Modbus-stikket fremgår af fig. 6. Modbus-kabel udføres som vist i fig. 7. Når den grønne lysdiode blinker regelmæssigt, er Modbus-kommunikationen OK.

### Adressering af OJ GreenZone™ Module A

Adresseringen af OJ GreenZone™ Module A sker helt automatisk fra den tilsluttede OJ GreenZone™ Master.

Adressen vises i displayet på OJ GreenZone™ Module A (se Tabel 3 i denne instruktion). Yderligere info ang. adressering findes i manualen til OJ GreenZone™ Master samt installatørvejledningen til OJ Green Zone.

### Sikring af data i OJ GreenZone™ Module A

Ved kommunikationsfejl og/eller afbrydelse af spændingsforsyningen til OJ GreenZone™ Module A vil alle data blive gemt. Ved genetablering af kommunikation og/eller spændingsforsyning fungerer og starter OJ GreenZone™ Module A igen op i normal drift.

### TEKNISKE DATA

Forsyningsspænding	24 VAC +/-10 % (se fig. 8 og 9)
Egenforbrug, ubelastet	< 2.3 VA
Egenforbrug, maks. belastning	< 52 VA
24V AC udgang, kortslutningsbeskyttet	< 24 VA
Omgivelsestemperatur	-20/+40 °C (drift) (kortvarigt -30/+50 °C)
Omgivelsestemperatur, opbevaring	-30/+70 °C
Modbus-tilslutninger, kaskadetilslutninger	2 x RJ12-stik (6P6C)
Aktuator tilslutninger	4 x 3 x 1,5 mm2 skrue terminaler
Aktuator udgange	4 x 0-10 VDC
Aktuator forsyning	4 x 24 VDC 0.25A

Modbus, føletilslutninger.....	1 x RJ12-stik (6P6C)
Føler forsyning.....	1 x 24V DC 0.25A
Modbus-kommunikation.....	RS-485, 38,4 kBaud, 24 VDC
Modbus-adresse, OJ Zone Module.....	Selvkonfigurerende
Digitale indgange.....	2 x indbygget pull-up
Forsyning.....	1 x 24 VDC 0.1A
Følerindgange.....	2 x PT1000
Spændingsindgang.....	2 x 0 - 10 VDC
Måleområde, fugt.....	0 - 100 % RH
Måleområde, temperatur.....	-40 - 100 °C
Måleområde, CO <sub>2</sub> .....	0 - 2000 ppm
Kapslingsklasse.....	IP20
Dimensioner.....	(se fig. 2)
Vægt.....	270 g

## SERVICE OG VEDLIGEHOLD

OJ GreenZone™ Module A indeholder ingen komponenter, der kræver service eller vedligehold.

Kontakt venligst leverandøren i tilfælde af problemer.

## MILJØ OG BORTSKAFFELSE

Hjælp med at beskytte miljøet ved at bortskaffe emballage og brugte produkter på en miljørigtig måde.

### Bortskaffelse af produktet



Produkter med dette mærke må ikke bortskaffes som almindeligt husholdningsaffald, men skal indsamles særskilt i henhold til gældende lokale regler.

## OJ ELECTRONICS A/S

Stenager 13B · DK-6400 Sønderborg

Tel. +45 73 12 13 14 · Fax +45 73 12 13 13

oj@ojelectronics.com · www.ojelectronics.com

## CE-MÆRKNING

2004/108/EF EMC-DIREKTIV

Europa-Parlamentets og Rådets Direktiv 2004/108/EF af 15. december 2004 om indbyrdes tilnærmelse af medlemsstaternes lovgivning om elektromagnetisk kompatibilitet og om ophævelse af direktiv 89/336/EØF.

2006/95/EF LAVSPÆNDINGSДИРЕКТИВET  
 Europa-parlamentets og Rådets direktiv 2006/95/EF af 12. december 2006 om tilnærmelse af medlemsstaternes lovgivning om elektrisk materiel bestemt til anvendelse inden for visse spændingsgrænser.

### Benyttede standarder

EN 60730-1 2000 / Automatiske elektriske styringer til husholdningsbrug o.l.  
 Del 1: Generelle krav

### FEJLFINDING

Symptom	Årsag	Handling
Intet virker på OJ GreenZone™ Module A – intet lys i display	Ingen spændingsforsyning	Kontrollér, at der er 24 VAC på tilgangsklemme 1 og 2 samt på afgangsklemme 3 og 4. Hvis der ikke er spænding på afgangsklemme 3 og 4, er der enten en kortslutning eller overbelastning på de komponenter, som forsynes fra disse klemmer (3 og 4).
	Defekt OJ GreenZone™ Module A	Udskift OJ GreenZone™ Module A.
Ingen kommunikation til OJ GreenZone™ Module A	Dårlig eller ingen forbindelse i Modbus-kabel	Kontrollér Modbus-kabel. Konfigurering af Modbus-kabel og -forbindelse er vist i fig. 6 og 7. Foretag reparation eller udskiftning af defekt Modbus-kabel.
	Forkert tilslutning af Modbus-kabel	Kontrollér, om Modbus-kommunikationskabel er tilsluttet "Modbus in"-stikket og videresløjfet til næste OJ GreenZone™ Module A fra "Modbus out"-stikket (se fig. 4, 5, 13).
	Defekt OJ GreenZone™ Module A	Udskift OJ GreenZone™ Module A.
Display viser "9"	OJ GreenZone™ Module A har endnu ikke modtaget information om sektionsnummer fra OJ GreenZone™ Master	Afvent til OJ GreenZone™ Master har tildelt sektionsnummer til OJ GreenZone™ Module A.
	Dårlig eller ingen forbindelse i Modbus-kabel	Kontrollér Modbus-kabel. Konfigurering af Modbus-kabel og -forbindelse er vist i fig. 6 og 7. Foretag reparation eller udskiftning af defekt Modbus-kabel.
	Defekt OJ GreenZone™ Master	Udskift OJ GreenZone™ Master.
	Defekt OJ GreenZone™ Module A	Udskift OJ GreenZone™ Module A.

Symptom	Årsag	Handling
Display viser "99"	OJ GreenZone™ Module A har endnu ikke modtaget information om zonenummer fra OJ GreenZone™ Master	Afvent til OJ GreenZone™ Master har tildelt zonenummer til OJ GreenZone™ Module A
	Dårlig eller ingen forbindelse i Modbus-kabel	Kontrollér Modbus-kabel. Konfigurering af Modbus-kabel og -forbindelser er vist i fig. 6 og 7. Foretag reparation eller udskiftning af defekt Modbus-kabel.
	Defekt OJ GreenZone™ Master	Udskift OJ GreenZone™ Master.
	Defekt OJ GreenZone™ Module A	Udskift OJ GreenZone™ Module A.
Display viser "SC"	Føler kortsluttet	Kontrollér tilsluttet PT1000-føler. Føleren er tilsluttet i skrue terminalerne mærket med "L" og "E" i fig. 3 – korrekt tilslutning er vist i fig. 10 Foretag modstandsmåling af føleren. Den målte modstand skal være ca. 1078Ω ved 20°C.
Tilsluttet VAV-spjæld eller tilsluttet varme-/koleventil virker ikke	Ingen spændingsforsyning til OJ GreenZone™ Module A	Kontrollér, at der er 24 V AC på tilgangsklemme 1 og 2 samt på afgangsklemme 3 og 4. Hvis der ikke er spænding på afgangsklemme 3 og 4, er der enten en kortslutning eller overbelastning på de komponenter, som forsynes fra disse klemmer (3 og 4).
	Overbelastning af +24V på OJ GreenZone™ Module A (+18- ↘20) (+21- ↘23) (+24- ↘26) (+27- ↘29)	Fjern de tilsluttede ledninger på klemmerne, og kontrollér, at der er spænding på klemmerne. Kommer der spænding på klemmerne efter aflastning, er der stor sandsynlighed for, at de tilsluttede ledninger til aktuatoren er kortsluttet. Fjern kortslutningen, og tilslut aktuatoren igen. Kontrollér spændingen igen.
	Defekt OJ GreenZone™ Module A	Fjern de tilsluttede ledninger på klemmerne, og kontrollér, at der er spænding på klemmerne. Kommer der ikke spænding på klemmerne efter aflastning, er der stor sandsynlighed for, at OJ GreenZone™ Module A er defekt. Udskift OJ GreenZone™ Module A
	Fejl i elektrisk tilslutning	Kontrollér elektriske forbindelser
	Defekt ventil eller VAV-aktuator	Udskift aktuatoren

Symptom	Årsag	Handling
Føler til indblæsnings-temperatur viser forkert	Fejl i elektrisk tilslutning	Kontrollér elektriske forbindelser
	Føleren er defekt: kortsluttet eller afbrudt	Kontrollér føleren. Afmonter de tilsluttede ledninger på klemmerne 30 & 31, og foretag kontrolmåling med et ohmmeter. Ved afbrudt føler vil den målte modstand være uendelig stor, og ved kortsluttet føler vil målingen vise ca. 0,0 ohm. Hvis føleren er OK, vil den målte værdi være ca. 1078 ohm ved en føleretemperatur på 20 °C. Udskift føler, hvis den er defekt.
	Forkert type føler	Føleren skal være af typen PT1000, hvilket betyder, at den målte ohmske værdi på føleren vil være ca. 1078 ohm ved 20 °C.
	Defekt OJ GreenZone™ Module A	Udskift OJ GreenZone™ Module A
Frostalarm virker ikke	Frosttermostat forkert tilsluttet	Kontrollér kabelforbindelser og tilslutninger (se fig. 12).
Frostalarm virker ikke	Forkert webkonfigurering af frosttermostat	Se korrekt konfigurering af indgang i Installørvejledning.
Vindueskontakt virker ikke	Vindueskontakt forkert tilsluttet	Kontrollér kabelforbindelser og tilslutninger (se fig. 20).
	Defekt OJ GreenZone™ Module A	Udskift OJ GreenZone™ Module A.
	Forkert webkonfigurering af vindueskontakt	Se korrekt konfigurering af indgang i Installørvejledning.
PIR-sensor virker ikke	PIR-sensor forkert tilsluttet	Kontrollér kabelforbindelser og tilslutninger (se fig. 21).
	Defekt OJ GreenZone™ Module A	Udskift OJ GreenZone™ Module A.
Temperaturforskydning virker ikke	Temperaturforskydning forkert tilsluttet	Kontrollér kabelforbindelser og tilslutninger (se fig. 11).
	Defekt OJ GreenZone™ Module A	Udskift OJ GreenZone™ Module A.





Fig. 1 - OJ GreenZone™ Module A

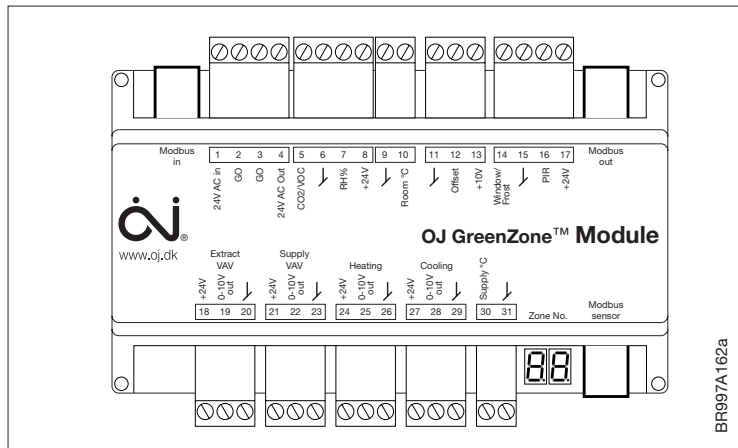


Fig. 2 - Dimensions

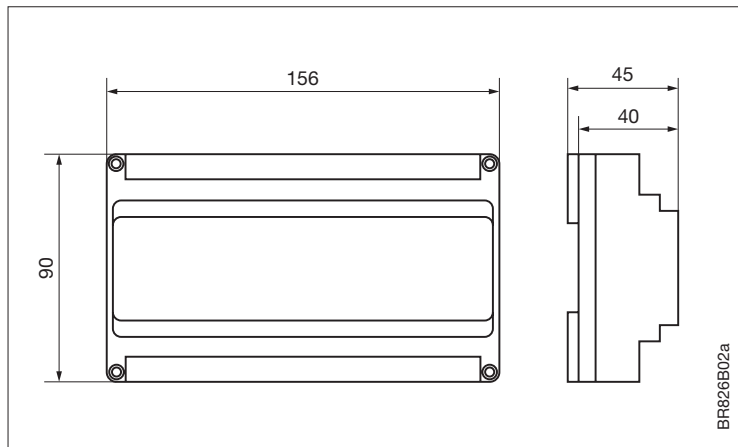
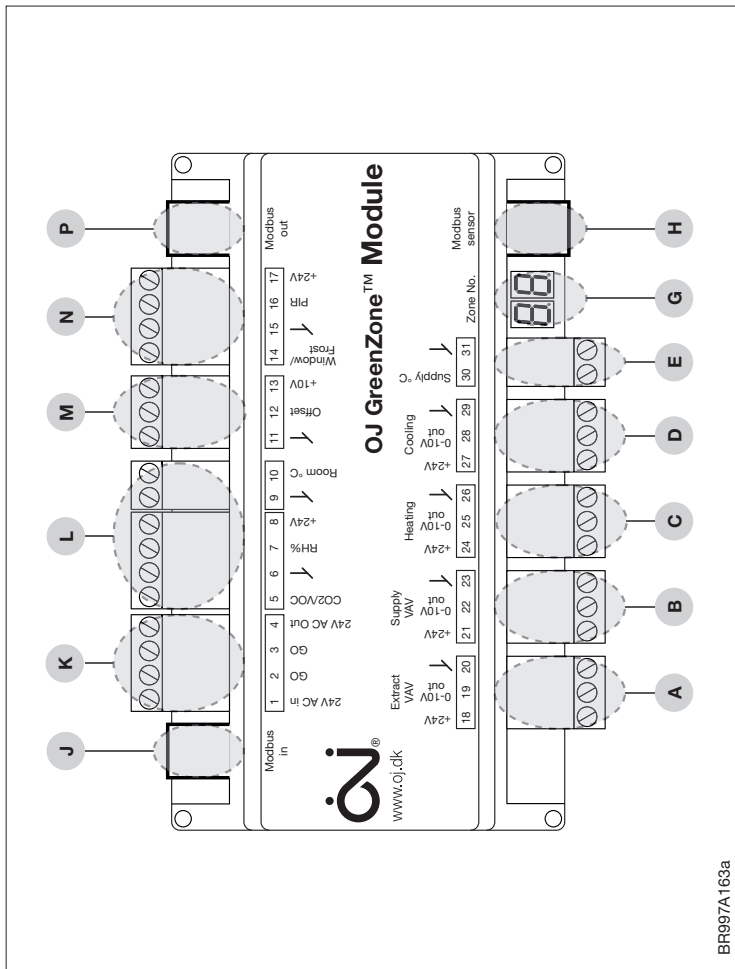
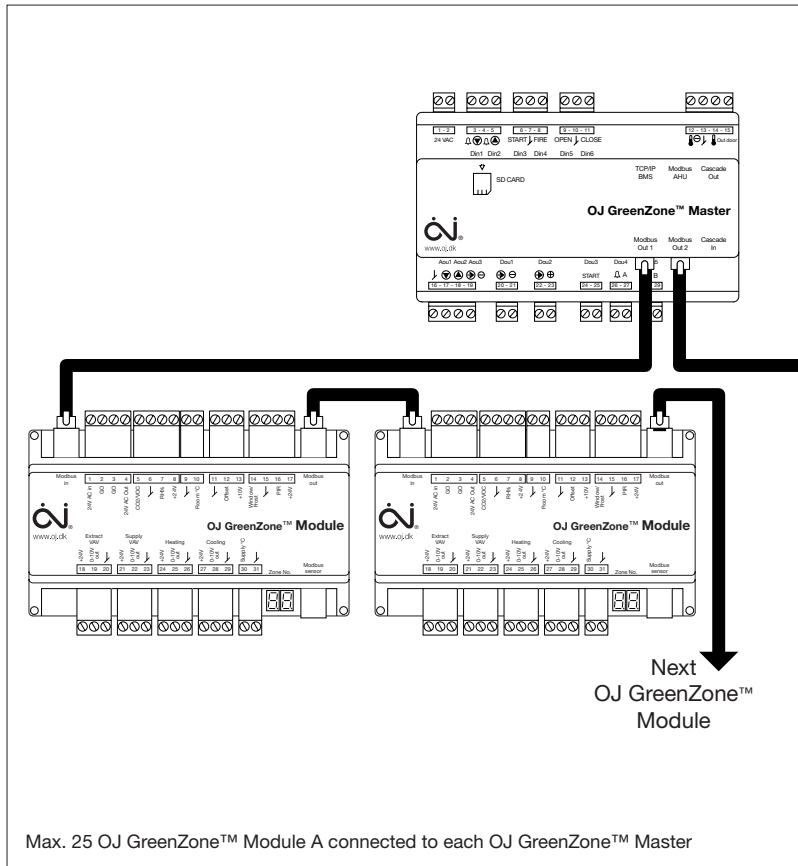


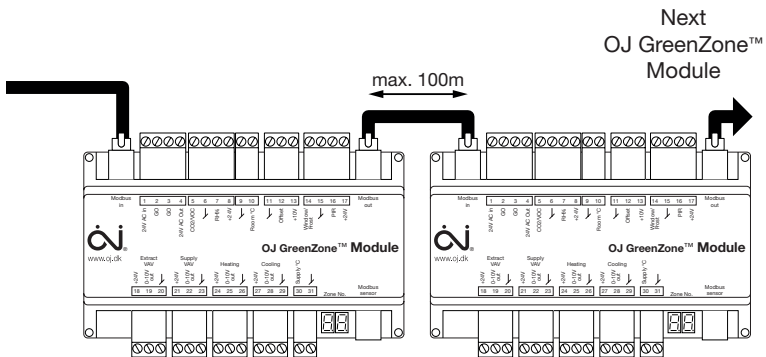
Fig. 3 - Overview of connectors in OJ GreenZone™ Module A



BF997A163a

Fig. 4 - Connection of Modbus communication





BR997A 169a

Fig. 5 - "Modbus in" connector

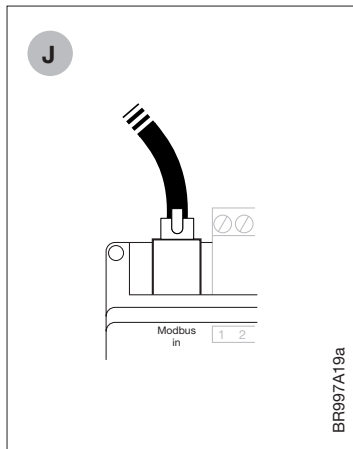


Fig. 6 - RJ12 Modbus connector

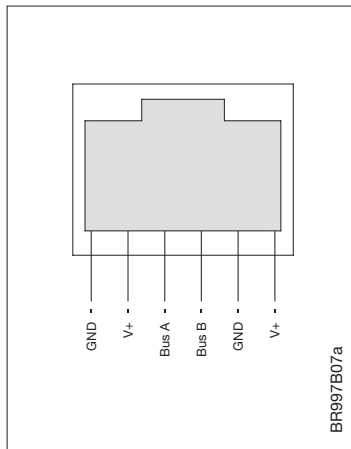


Fig. 7 - Modbus cable connection

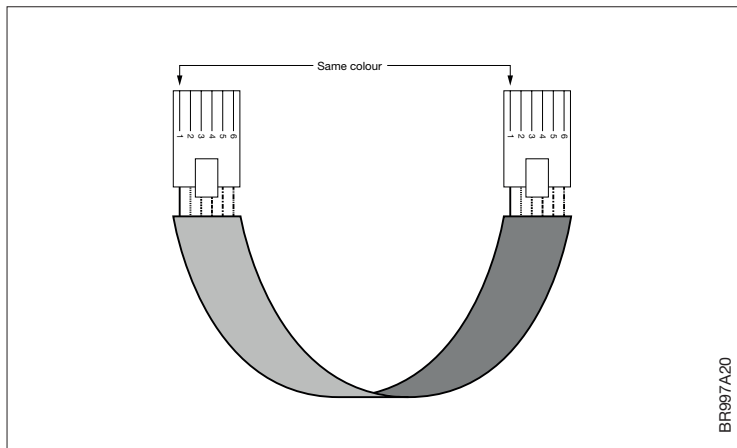


Fig. 8 - Connection of supply voltage

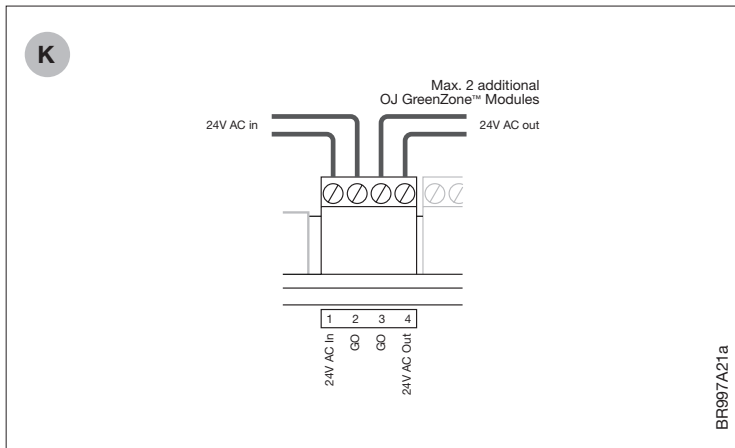


Fig. 9 - Looping terminals for supply voltage

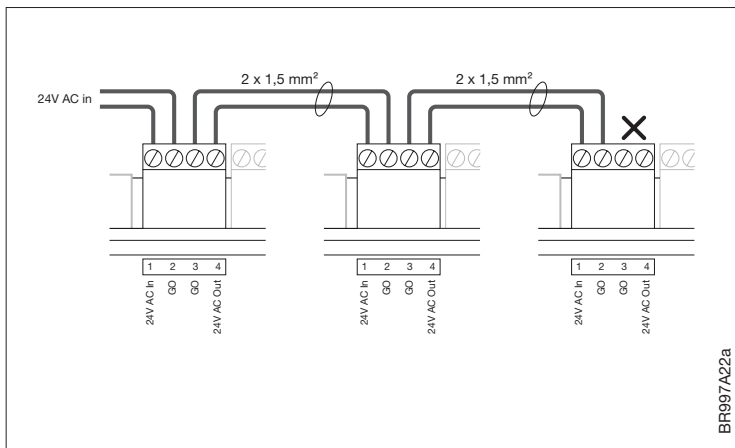


Fig. 10 - Connection of PT1000 and CO<sub>2</sub> sensors

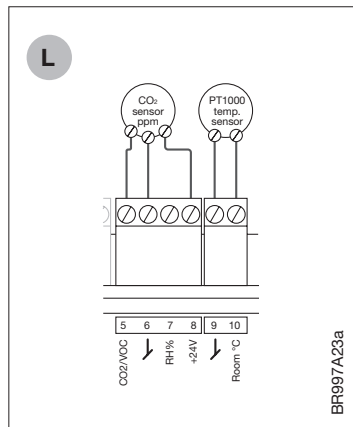


Fig. 10a - Connection of humidity sensor

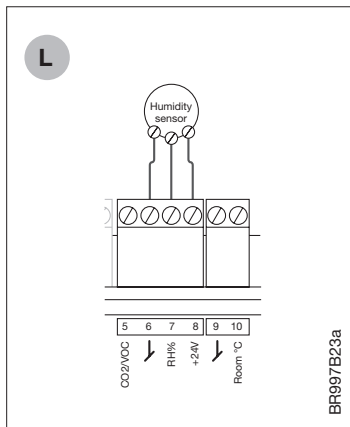


Fig. 13 - "Modbus out" connector

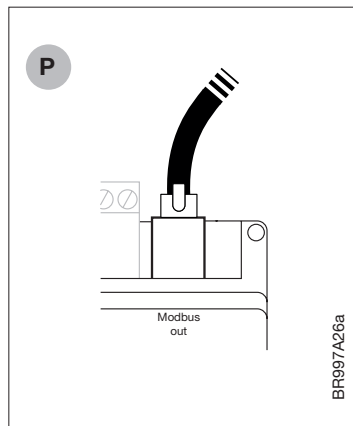


Fig. 14 - Connection of exhaust VAV actuator

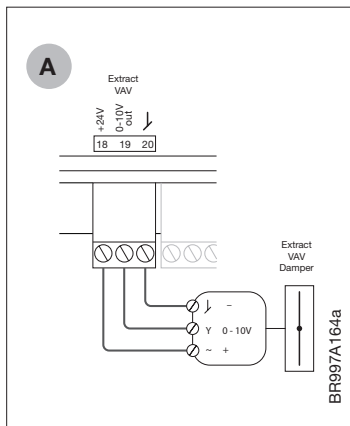




Fig. 11 - Connection of temperature offset potentiometer

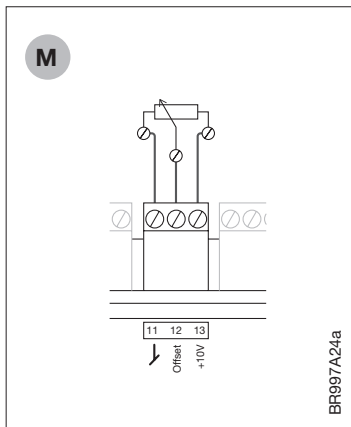


Fig. 12 - Connection of frost thermostat

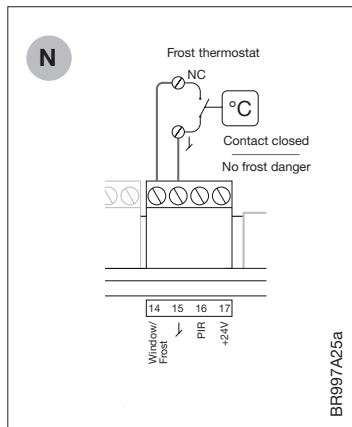


Fig. 14A - Connection of inlet VAV actuator

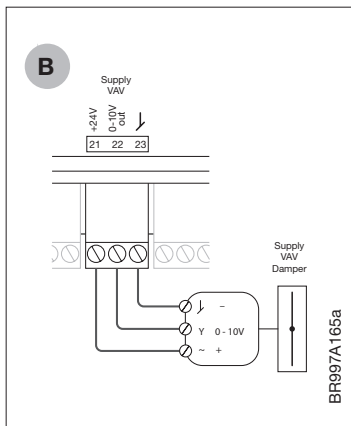


Fig. 15 - Connection of PT1000 sensor for measuring cooling water supply temperature

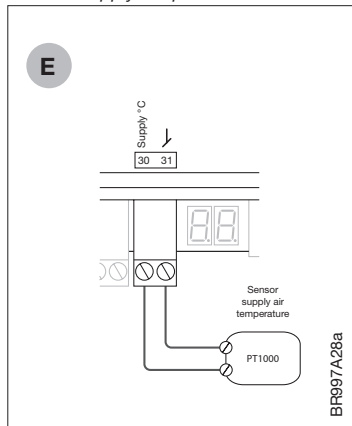


Fig. 16 - Connection of heating valve actuator

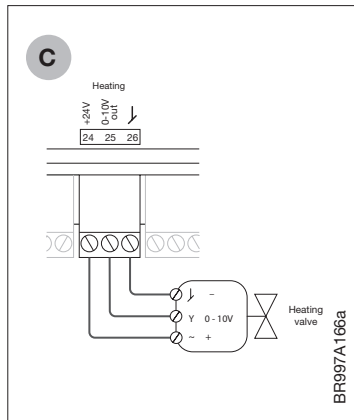


Fig. 16A - Connection of cooling valve actuator

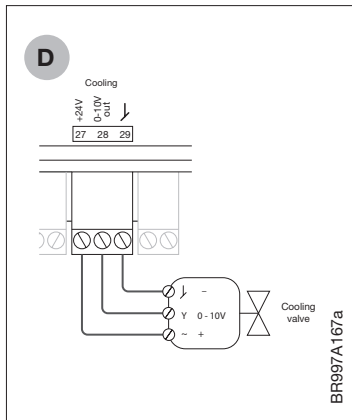


Fig. 19 - Configuration overview

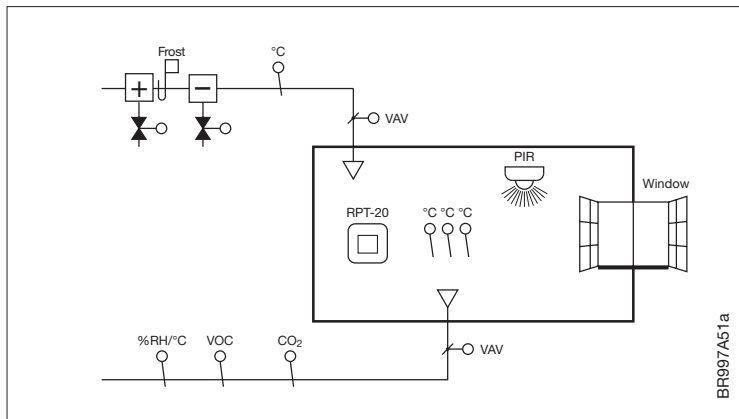


Fig. 17 - 2-digit display

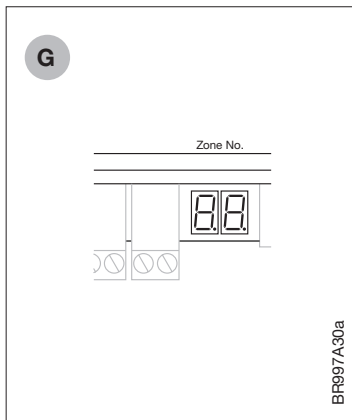


Fig. 18 - RJ12 connector  
"Modbus sensor"

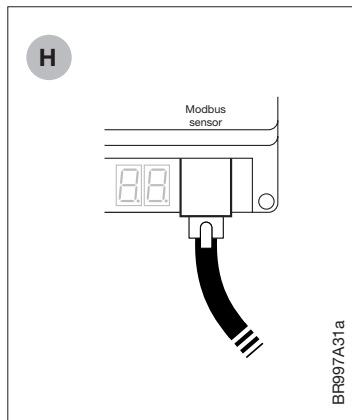


Fig. 20 - Connection of window contact

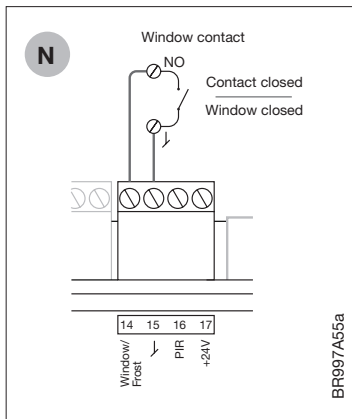
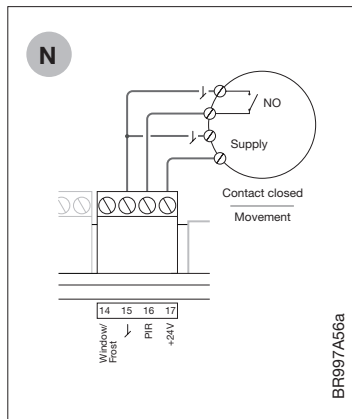


Fig. 21 - Connection of PIR sensor





**OJ ELECTRONICS A/S**

Stenager 13B · DK-6400 Sønderborg

Tel. +45 73 12 13 14 · Fax +45 73 12 13 13

oj@ojelectronics.com · www.ojelectronics.com