

## OJ GreenZone™ – Zone-controlled VAV system



### OJ-Zonemodul-MP

- Energy-optimised VAV operation
- MP Bus VAV damper
- Air quality and temperature
- QuickPlug™ installation
- Automatic configuration
- 2" touchscreen

**The OJ GreenZone™ system is tailored for energy-optimised operation and comfort control in buildings with VAV dampers. Air-exchange and temperature are adjusted as needed in up to 125 zones per AHU.**

**An OJ Zone Module MP is used in each room along with an MP Bus VAV damper, whose damper angle and air volume are monitored to obtain energy-optimised operation.**

**OJ Zone Module MP demand-controls ventilation on the basis of the connected temperature, VOC, CO<sub>2</sub> or humidity sensors, which are detected automatically.**

**The module is installed together with an OJ Zone Master in a network, thus providing energy-optimised operation. The user can adjust room comfort by connecting a colour touchscreen.**

#### **The best of both buses**

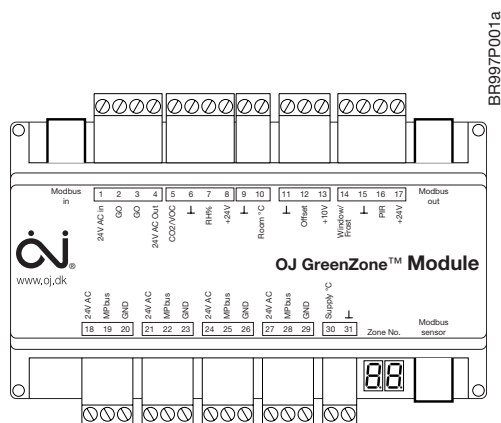
Exploit the advantages of standard MP-Bus VAV dampers, valves and 6-way valves. Installation errors and time-consuming troubleshooting in the zone network are eliminated thanks to the QuickPlug™ Modbus connections. VAV dampers and sensors are electrically separated from other rooms and technicians can therefore instantly identify which room, if any, needs to be checked.

#### **Simple configuration**

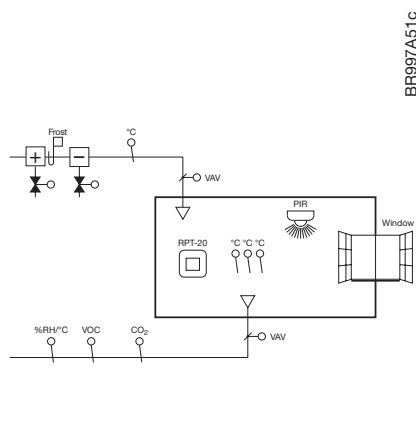
The OJ GreenZone™ system features auto-configuration capability with which the OJ Zone Master itself allocates a unique address to each individual zone module. There are no complicated DIP switches and no risk of network blockages due to random address conflicts.

#### **Colour touchscreen**

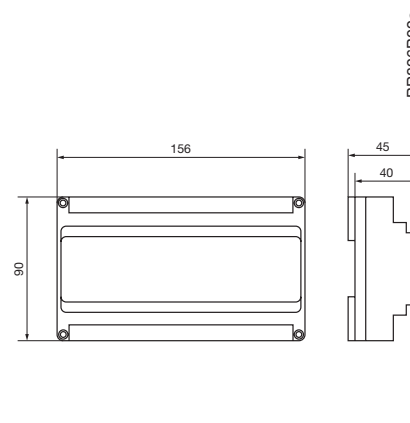
The air exchange and temperature of the zone can be adjusted to a required comfort level by means of a user-friendly wall-mounted 2" colour touchscreen. Technicians and system managers have access anytime, anywhere via the OJ Zone Master Web app.



Connection



Application example



Dimensions

### Flexible room changes

If the wall is moved or removed because of a change in use of the building, the zone module can, in just a few seconds, be set to work together with the other modules in the same room. A nice comfortable setting can be maintained in larger rooms with average temperature measurements from several room temperature sensors.

### Immediate feedback

As soon as the OJ Zone Module detects a sensor, the associated symbol is shown on the 2-digit screen along with the allocated address. Correct bus communication is indicated by flashing LEDs. It has never been easier to check that the installation is OK.

### Zone Module beeper

Zone Modules have a built-in beeper which can be activated from the Zone Master's Web app, allowing instant location of a Zone Module installed above a lowered ceiling with numerous ceiling panels. It's quicker to remove one ceiling panel than ten.

## INSTALLATION

### Controller installation

OJ Zone Module MP should be installed on a 35 mm DIN rail in an enclosure that corresponds to the classification of the installation location. The module must be supplied with 24 V AC.

### Cable connections

Cables are connected to screw terminals for wires of max. 1.5 mm<sup>2</sup>. Zone Modules are connected in a network with QuickPlug™ Modbus connections using a standard telecom cable, e.g. INEC TD6006, fitted with RJ12 connectors.

## PRODUCT PROGRAMME

TYPE	PRODUCT
OJ-Zonemodul-MP	OJ GreenZone™ Module MP Bus
OJ-Zonemaster	OJ GreenZone™ Master
OJ-RPT-20T	OJ GreenZone™ 2" room panel
TTH-6202	Duct temperature transmitter
TTH-6040-W	Room temperature transmitter
HTH-6202	Humidity and temperature transmitter
VTH-6202	VOC transmitter (air quality)
ETFWP-998	PT1000 wall-mounted potentiometer
ETF-1098L1-4	PT1000 duct temperature sensor
EFT-998-H	PT1000 room temperature sensor
OJ-Air2 PWR80	Power supply: 230 V AC to 2x24 V AC, 2x60 VA
ETT-KH	Cover for wall mounting

## TECHNICAL DATA

Supply voltage	24 V AC ±10%, 50 Hz
Power consumption	< 3.4 VA
Electrical connection	screw terminals, max. 1.5 mm <sup>2</sup>
QuickPlug™ Modbus	3 x RJ12 (6P6C)
MP Bus	4 x connectors
Digital inputs	2 x internal pull-up
Analogue inputs	3 x 0-10 V DC
Sensor input	2 x PT1000
Ambient operating temperature	-20/+40°C
Dimensions	156 x 90 x 45 mm
Enclosure	IP20, ABS
Weight	270 g

### CE marking

OJ Zone Module MP meets the requirements of the following directives:

EMC Directive	Low Voltage Directive
EN-61000-6-2	EN 60730-1
EN-61000-6-3	