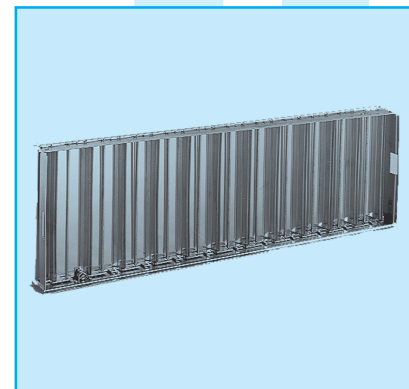
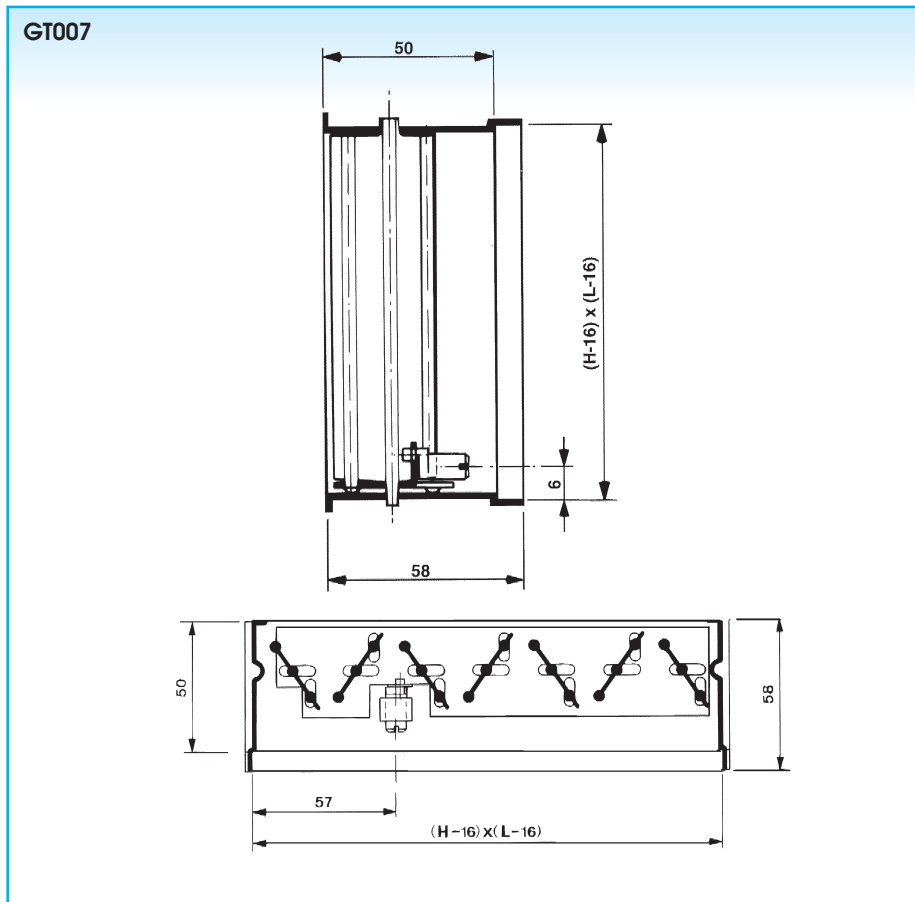


Installation dimensions



Application

The GT007 is a damper that can be mounted on most of A- and G-grilles. This damper allows an adjustment of the air flow rate.

Technical information

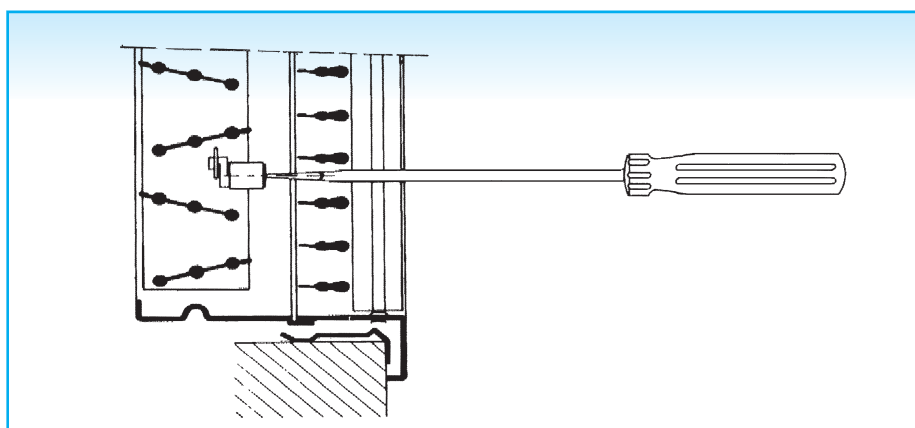
Characteristics:

- vertical, opposed blade damper
- adjustable with a screw driver
- grille mounting with "S" clips (supplied with each damper) or poprivets (f.e. for floor grills)
- available in multiples of 25 mm in height as well as in length
min L = 100 mm, max L = 625 mm
min H = 75 mm, max H = 600 mm

Construction:

galvanised steel sheet, painted black (RAL 9005)

Operating instruction damper



Specifications description

Example:

Opposed blade damper adjustable with a screw driver, galvanised steel sheet, painted black.

Type: GT007

nom. dim. (L x H) ... x ... mm

How to order

GT007, dimension 500 x 200 mm

G	T	0	0	7	-	-	0	5	0	0	0	2	0	0
---	---	---	---	---	---	---	---	---	---	---	---	---	---	---

nom. size of the grille (Lx H)