

# RT450

ALUMINIUM DRUM SLOT DIFFUSER WITH FLANGE AND CONCEALED SCREW FIXING



## VARIANTS

RT450, RT450S, RT450A

The drum slot diffuser is suitable for the supply and exhaust of cooled and heated air. The slot is fitted with air direction elements which can be individually adjusted. These specially developed air direction elements (drums) ensure an ideal and stable air diffusion pattern as well as a low noise level. There is a high level of induction and air stream penetration in the room. All lengths are available. Easy installation through concealed screw fixing in plenum.

Slot diffuser with adjustable polypropylene air direction elements (Drum length=150mm, Slot width=14mm)

Easy mounting with concealed screw fixing

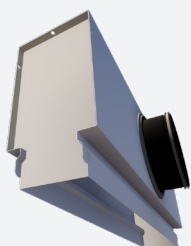
Wide temperature range for both heating and cooling

## ACCESSORIES



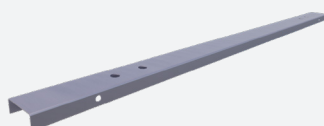
RT000

RT010



RP400S

RP400A



BOBRT



ADJUSTABLE



LINEAR



CEILING



2 WAY THROW



1 WAY THROW



LINEAR



SUPPLY



EXHAUST

## TECHNICAL INFORMATION

APPLICATION	Airflow direction	Lateral, left/right adjustable
	Airflow type	Linear, exhaust or supply
CONSTRUCTION	Shape	Linear
	Min. Length	300mm
	Max. length	2000mm
	Available steps in length	1mm
	Number of slots	1,2,3,4,5,6
	Flange size	12mm
	Slot width	14mm
	Installation depth	54mm
MATERIAL	Standard material	Extruded aluminium
	Standard finishing	Satin anodized 11µm
	Product finishing options	Powder coating RAL
	Drums	PP
MOUNTING	Mounting option	With brackets RT (without plenum) or with concealed mounting for plenum RP400
PLENUM	Material	Galvanised (275g/m <sup>2</sup> ) steel sheet, PP/TPE spigot
	Optional insulation	Melamine 6mm
	Spigot	Class D spigot with double lip seal
	Volume control	Optional perforated volume flow control disk inside the spigot
	Mounting options	Mounting eyes (Ø7mm) standard, mounting brackets available upon request

## QUICK SELECTION

	Supply Q <sub>v</sub> [m <sup>3</sup> /h]	L [mm]			
		L <sub>w</sub>	600	1000	1500
RT451	25 dB(A)	55	85	118	149
	35 dB(A)	79	121	169	213
RT452	25 dB(A)	93	143	198	250
	35 dB(A)	133	204	283	357
RT453	25 dB(A)	132	202	281	355
	35 dB(A)	188	289	402	507
RT454	25 dB(A)	155	238	330	417
	35 dB(A)	222	340	473	597
RT455	25 dB(A)	200	307	427	539
	35 dB(A)	286	439	610	770
RT456	25 dB(A)	222	341	473	597
	35 dB(A)	318	488	678	855

## EFFECTIVE AIR DISCHARGE AREA

Supply A <sub>k</sub> [m <sup>2</sup> /m]	RT451	RT452	RT453	RT454	RT455	RT456
	0.0111	0.0179	0.0247	0.0315	0.0383	0.0451

PRODUCT KEY

**DRUM SLOT DIFFUSER WITH FLANGE RT450**

R	T	4	5	2	-	-	1	2	0	0
---	---	---	---	---	---	---	---	---	---	---

Slot length L (mm):  
From 300 to 2000mm,  
per 1mm

-: Naturel anodised (not for corner section)  
F: Coated

-: Standard  
C: Corner section 90° (300 x 300 mm)  
E: End piece  
M: Intermediate piece

1: 1 slot  
(1 to 6 slots)

45: Diffuser with flange - for concealed mounting

T: supply - black air direction elements RAL9005  
W: supply - white air direction elements RAL9010  
A: exhaust - without air direction elements

**PLENUM FOR CONCEALED MOUNTING RP400**

R	P	4	0	2	-	S	-	-	0	0	1	6	0	1	2	0	0
---	---	---	---	---	---	---	---	---	---	---	---	---	---	---	---	---	---

Nominal diameter (mm):  
80, 100, 125, 160, 200, 250,  
315, 355, 400  
Slot length <=1600:  
1 diameter  
Slot length >=1601:  
2 diameters

Slot length L (mm):  
From 300 to 2000mm,  
per 1mm

0: Without mounting straps  
1: With mounting straps

-: Without damper  
D: With damper

-: Non insulated plenum  
G: Insulated plenum  
H: Half insulated plenum

S: Side connection  
A: Asymmetrical with side connection

-: Standard  
L: End piece left (looking at plenum front into the inlet of the connection collar)  
M: Intermediate piece  
R: End piece right (looking at plenum front into the inlet of the connection collar)

1: 1 slot  
(1 to 6 slots)

40: Plenum for RT450, for concealed mounting on the diffuser

PRODUCT KEY

**DUMMY PLATE BOBRT FOR DRUM SLOT DIFFUSER RT450 (MOUNTING IN COMBINATION WITH MOUNTING BRACKETS RT000)**

B	0	B	R	T	0	2	1	2	0	0
---	---	---	---	---	---	---	---	---	---	---

Length dummy plate (mm):  
From 20 to 2000mm, per 1mm

1: 1 slot  
(1 to 6 slots)

**MOUNTING BRACKET RT000 FOR MOUNTING DUMMY PLATE BOBRT ON DRUM SLOT DIFFUSER RT450**

R	T	0	0	2
---	---	---	---	---

1: 1 slot  
(1 to 6 slots)  
Slot length <=1200: 2 brackets  
Slot length >=1201: 3 brackets

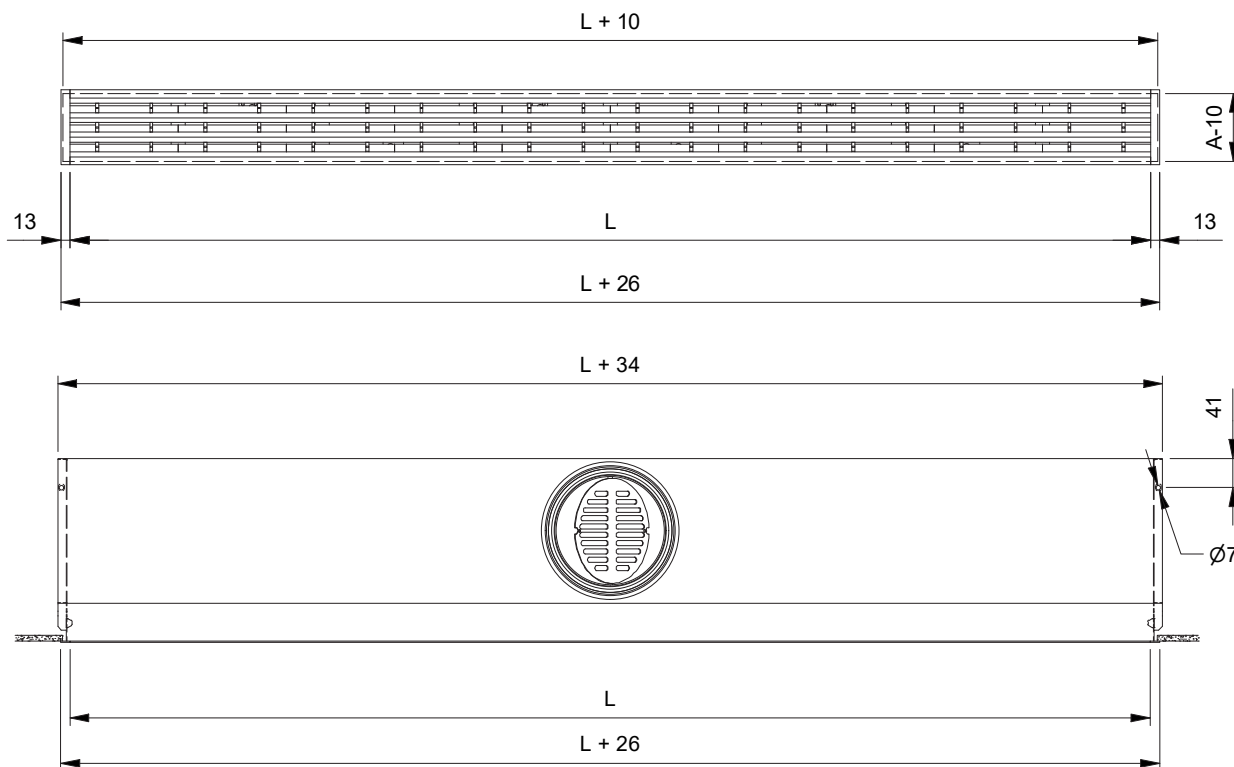
**MOUNTING BRACKET RT010 FOR CEILING MOUNTING DRUM SLOT DIFFUSER RT450 (WITHOUT PLENUM)**

R	T	0	1	2
---	---	---	---	---

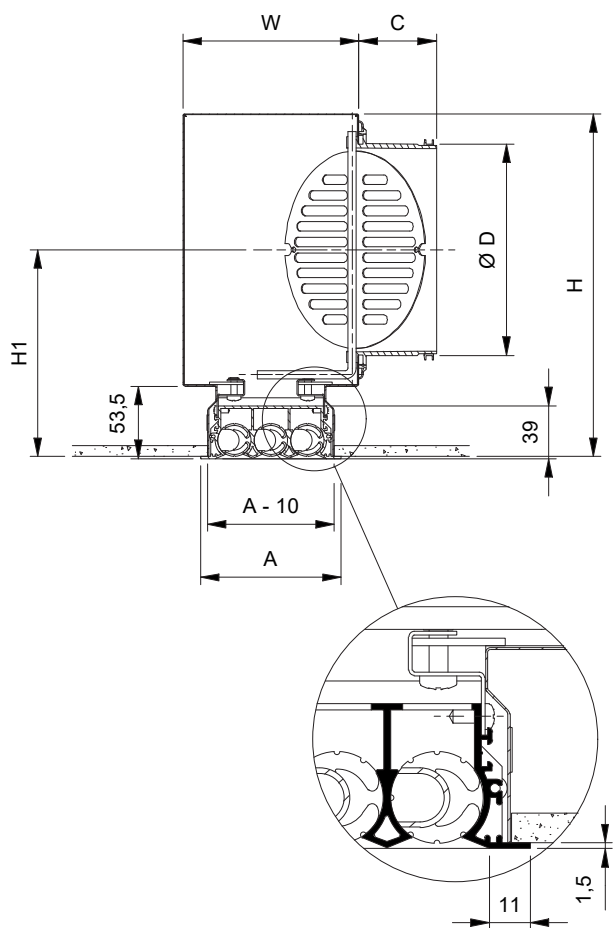
1: 1 slot  
(1 to 6 slots)  
Slot length <=1200: 2 brackets  
Slot length >=1201: 3 brackets

RT45

CEILING OPENING: L+10 x A-10



RT45 + RP40\_S



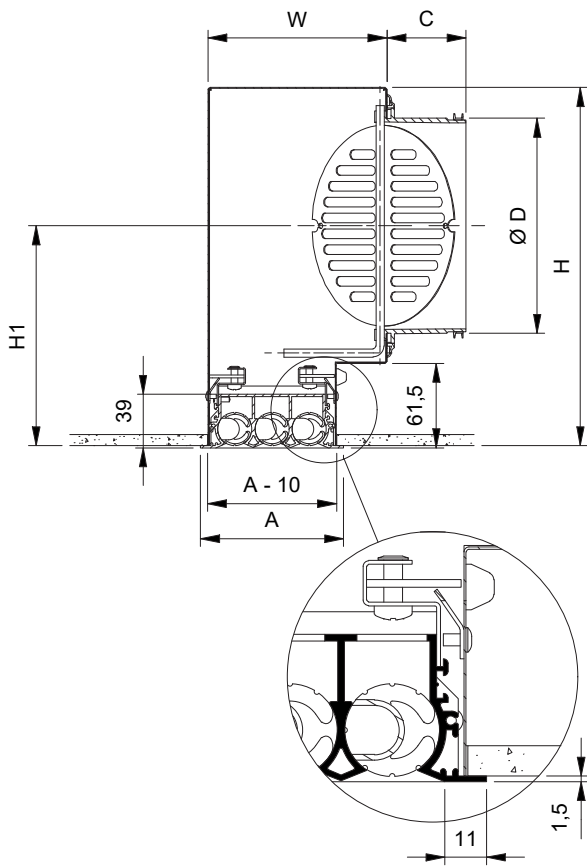
DIMENSIONS

	Number of slots - RT45 + RP40_S					
	1	2	3	4	5	6
<b>A</b>	50	77	104	131	161	188
<b>C</b>	58	58	58	58	78	50
<b>ØD</b>	123	158	158	198	248	313
<b>H</b>	218	253	253	293	343	408
<b>H1</b>	136	153	153	173	198	239
<b>W</b>	75	102	129	156	186	213

All dimensions in mm

L ≤ 1600: 1 diameter

L ≥ 1601: 2 diameters



**DIMENSIONS**

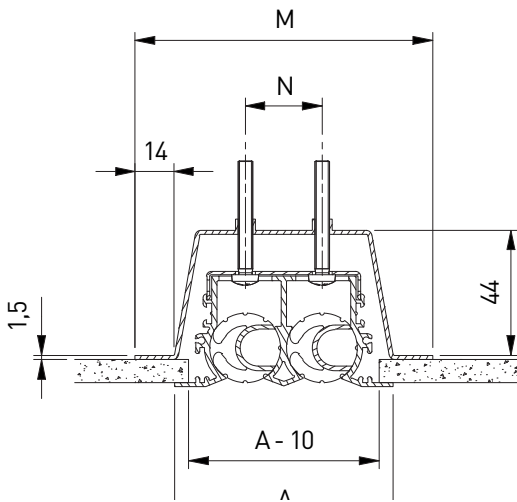
	Number of slots - RT45 + RP40_A					
	1	2	3	4	5	6
<b>A</b>	50	77	104	131	161	188
<b>C</b>	58	58	58	58	78	50
<b>ØD</b>	123	158	158	198	248	313
<b>H</b>	225	260	260	300	350	415
<b>H1</b>	143	160	160	180	205	247
<b>W</b>	75	102	129	156	186	213

All dimensions in mm

L ≤ 1600: 1 diameter

L ≥ 1601: 2 diameters

**RT452-F + RT012 (2x)**



**DIMENSIONS**

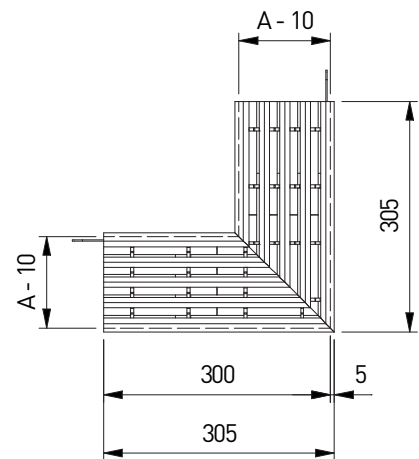
	Number of slots - RT45 + RT01					
	1	2	3	4	5	6
<b>A</b>	50	77	104	131	161	188
<b>M</b>	78	105	132	159	188	216
<b>N</b>	0	27	54	81	110	137

All dimensions in mm

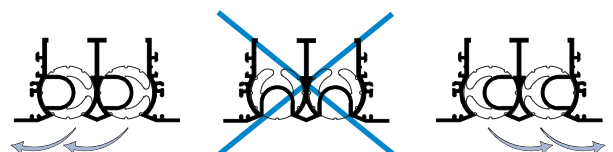
L ≤ 1200: number of brackets = 2

L ≥ 1201: number of brackets = 3

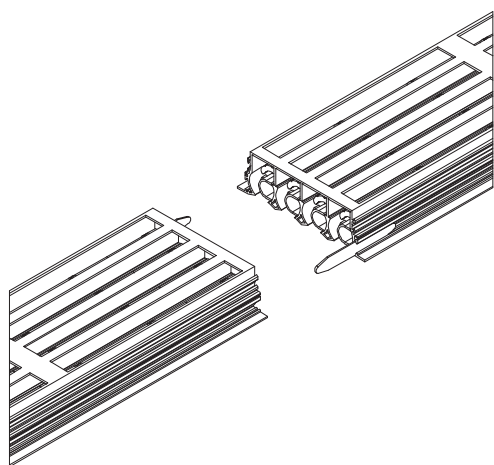
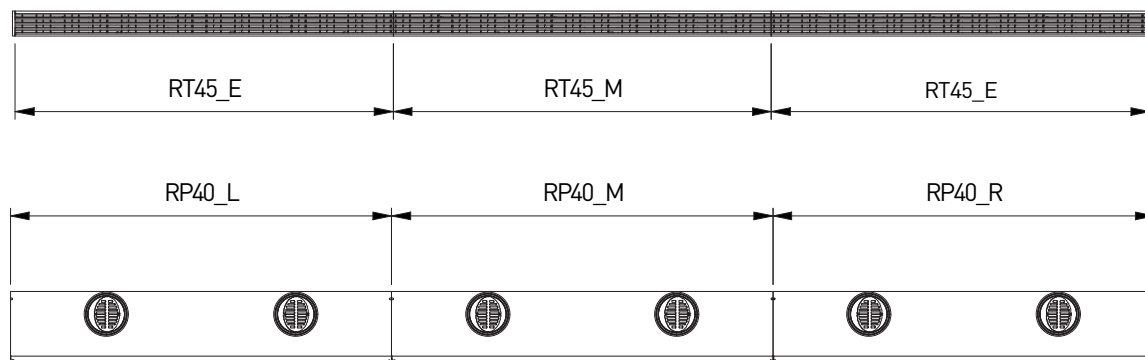
**RT45\_C**



**AIRFLOW DIRECTION**



## LINEAR: END PIECES AND INTERMEDIATE PIECES



RT451-F/1500  
+RP401LS-D1/125/1000  
+BOBRT01/500  
+RT001 (2x)

