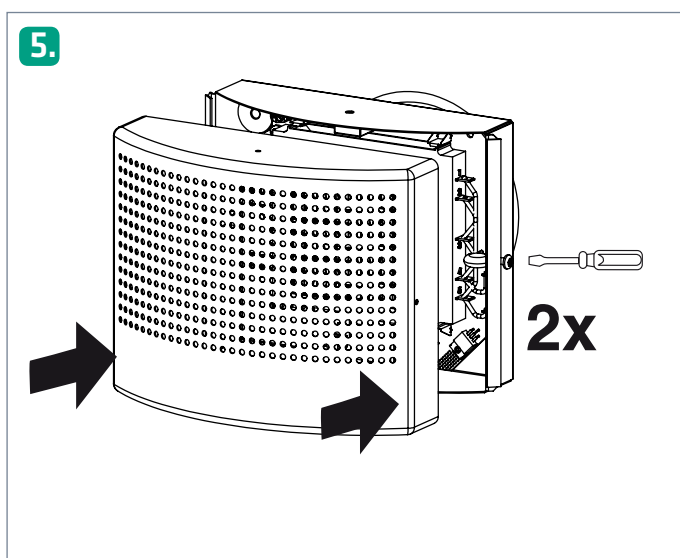
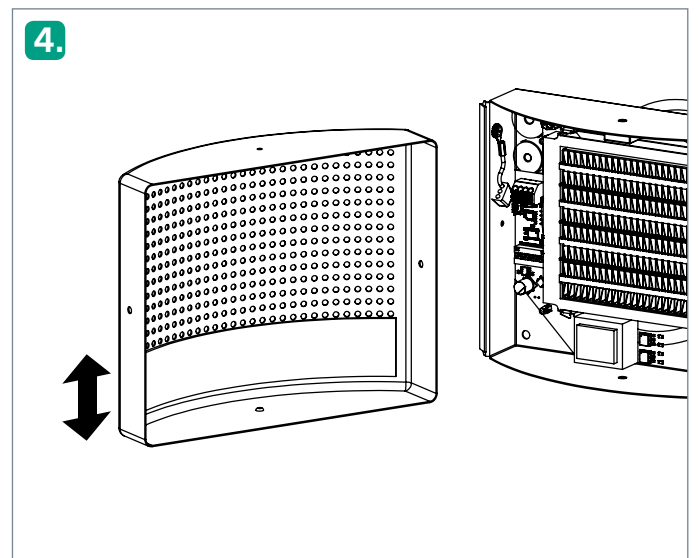
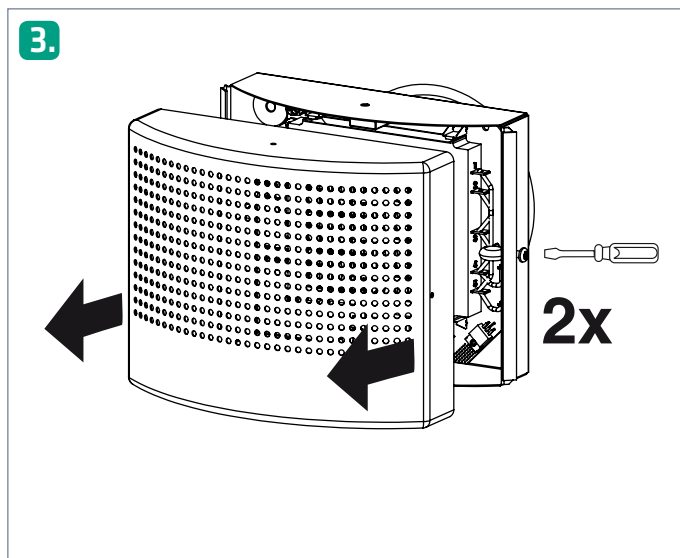
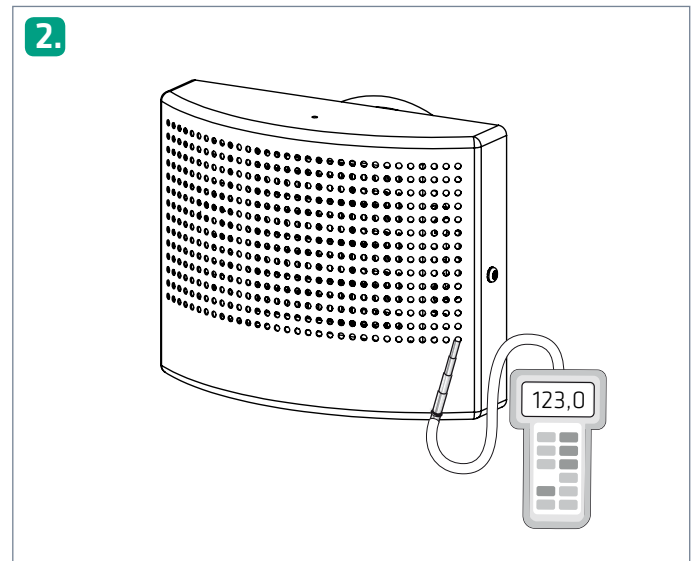
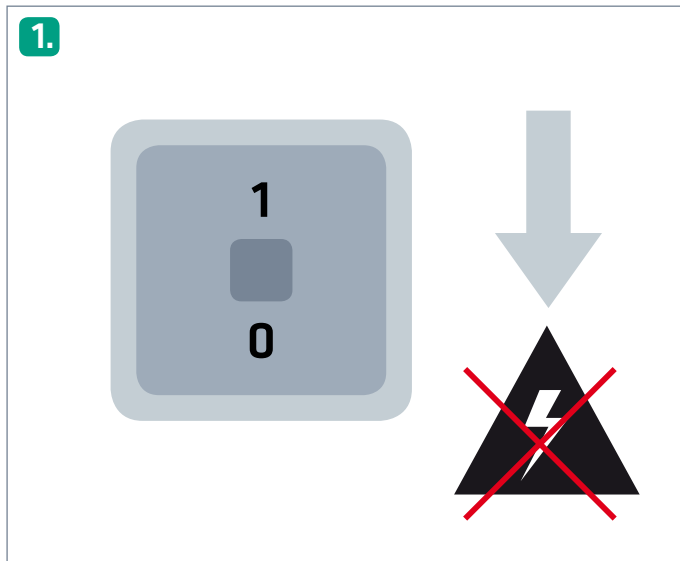


Adjustment manual ECO-W

NOTE! Electrical connections may only be made by a professional electrician.

Warning! The device carries a voltage of 230 V! Disconnect from the supply voltage before adjustment.



		k
ECO-W		125
		14*31
Suljettua riviä	0	3,3
Stängda rad	3	2,9
Closed rows	6	2,1
Rangées fermées	9	1,4
Geschlossene Reihen		