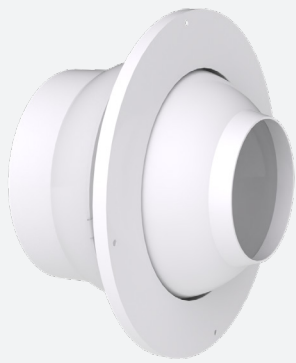


JD SHORT

JET DIFFUSER SHORT PIPE



VARIANTS

JD150, JD160, JD170,
JD150P, JD160P, JD170P

The jet diffusers, type JD, are especially developed for large and high areas such as concert halls, theaters, galleries, airports, shopping centres, industrial plants,... Through their aerodynamic design they ensure a reduced noise level at high outlet velocities and establish a long throw. The jet is adjustable over 360°. With different supply air temperatures (cooling or heating) the jet can be oriented +30° upwards or -30° downwards.

Adjustable +30°/-30° (cooling/heating)

Rotates 360°

High induction level

Low noise level



TECHNICAL INFORMATION

APPLICATION	Type	Supply
	Direction	Adjustable +30° up and -30° down, 360° swiveling
CONSTRUCTION	Type	160/200/250/315/400mm
	Volume control	Disk
MATERIAL	Standard material	Painted aluminium
	Wall flange	Painted steel
	Standard finishing	Powder coating RAL9010
	Product finishing options	Powder coating RAL of choice
MOUNTING	Mounting options	Visible screw fixing or direct mounting on circular duct

EFFECTIVE AIR DISCHARGE AREA

A _k [m ²] Supply				
ØN [mm]				
160	200	250	315	400
0.0057	0.0102	0.0168	0.0259	0.0408

QUICK SELECTION

Supply Q _v [m ³ /h]		ØN [mm]				
		160	200	250	315	400
50	L _{r,0,20} [m]	5	-	-	-	-
	ΔP _{tot}	2	-	-	-	-
	L _w [dB(A)]	<20	-	-	-	-
100	L _{r,0,20} [m]	9	6	-	-	-
	ΔP _{tot}	9	3	-	-	-
	L _w [dB(A)]	<20	<20	-	-	-
150	L _{r,0,20} [m]	14	9	6	-	-
	ΔP _{tot}	20	7	3	-	-
	L _w [dB(A)]	<20	<20	<20	-	-
200	L _{r,0,20} [m]	18	12	8	5	-
	ΔP _{tot}	36	12	4	2	-
	L _w [dB(A)]	<20	<20	<20	<20	-
250	L _{r,0,20} [m]	23	15	10	6	3
	ΔP _{tot}	56	19	7	3	1
	L _w [dB(A)]	23	<20	<20	<20	<20
400	L _{r,0,20} [m]	-	24	15.9	9.7	4.4
	ΔP _{tot}	-	48	18	7	3
	L _w [dB(A)]	-	22	<20	<20	<20
500	L _{r,0,20} [m]	-	30	20	12	6
	ΔP _{tot}	-	75	28	10	4
	L _w [dB(A)]	-	27	<20	<20	<20
700	L _{r,0,20} [m]	-	-	28	17	8
	ΔP _{tot}	-	-	55	20	8
	L _w [dB(A)]	-	-	23	<20	<20
900	L _{r,0,20} [m]	-	-	35	22	10
	ΔP _{tot}	-	-	91	33	13
	L _w [dB(A)]	-	-	30	<20	<20
1200	L _{r,0,20} [m]	-	-	-	29	13
	ΔP _{tot}	-	-	-	59	24
	L _w [dB(A)]	-	-	-	<20	<20
1300	L _{r,0,20} [m]	-	-	-	31	15
	ΔP _{tot}	-	-	-	69	28
	L _w [dB(A)]	-	-	-	<20	<20
2000	L _{r,0,20} [m]	-	-	-	-	22
	ΔP _{tot}	-	-	-	-	66
	L _w [dB(A)]	-	-	-	-	<20

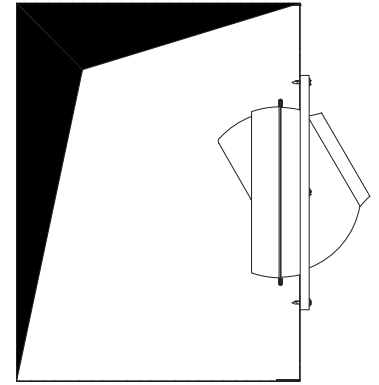
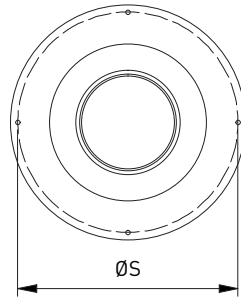
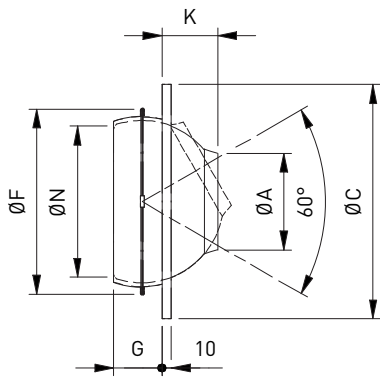
PRODUCT KEY

JET DIFFUSER SHORT PIPE											
J	D	1	6	0	-	F	--	0	2	0	0
<p>Nominal diameter N (mm): 160, 200, 250, 315, 400</p> <p>F: Coated</p> <p>0: Without damper 1: With damper</p> <p>5: Wall mounting, without connection collar 6: Wall mounting, with connection collar 7: Direct mounting on circular duct, without wall flange</p>											

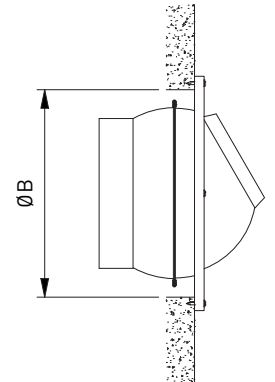
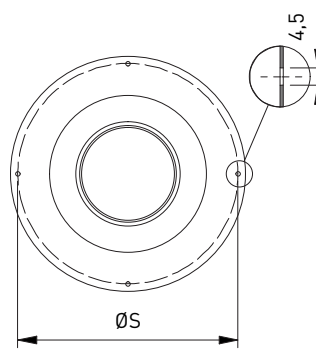
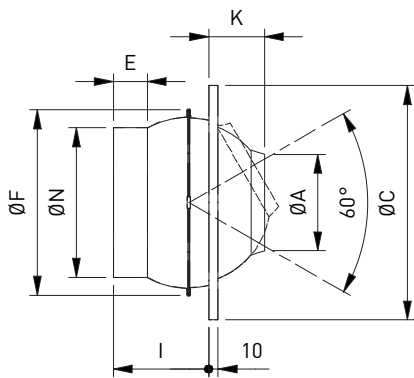
JET DIFFUSER SHORT PIPE FOR WALL MOUNTING, MOUNTED ON PANEL											
J	D	1	6	0	-	F	P2	0	2	0	0
<p>Nominal diameter N (mm): 160, 200, 250, 315, 400</p> <p>P2: 2 jets mounted on panel P3: 3 jets mounted on panel P4: 4 jets mounted on panel P5: 5 jets mounted on panel</p> <p>F: Coated</p> <p>0: Without damper 1: With damper</p> <p>5: Mounted on panel, without connection collar 6: Mounted on panel, with connection collar</p>											

JD150-F--

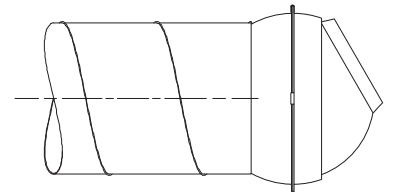
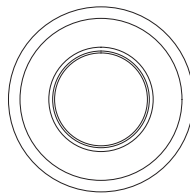
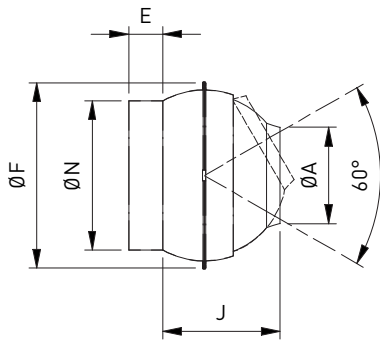
JD SHORT



JD160-F--



JD170-F--

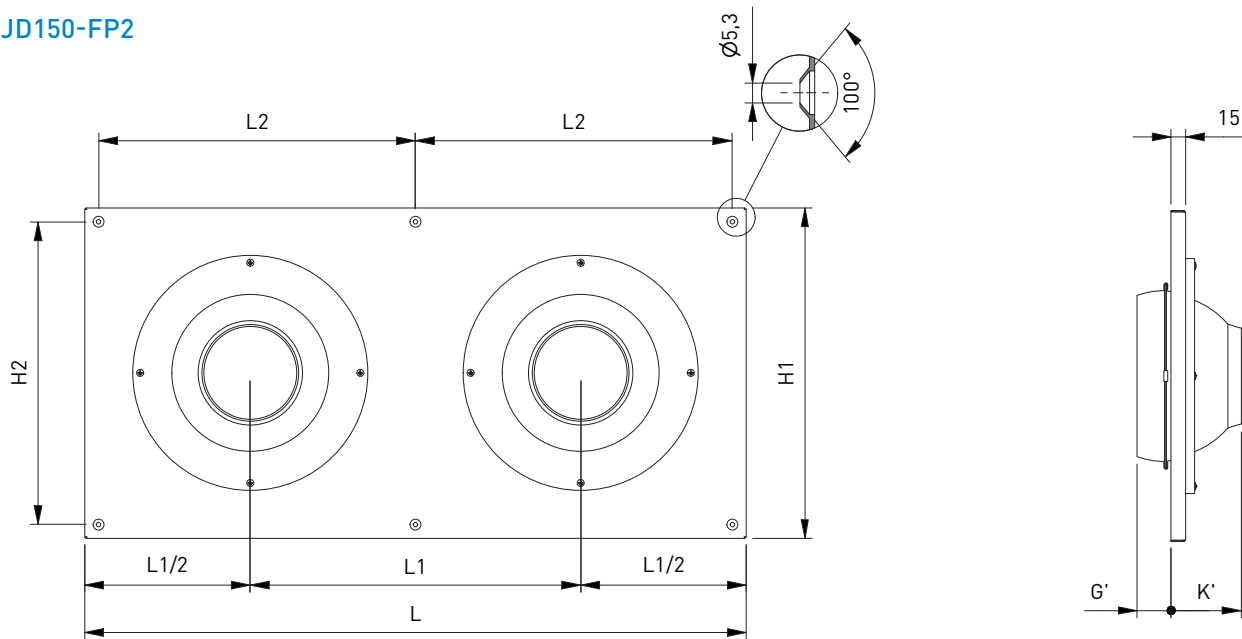


DIMENSIONS

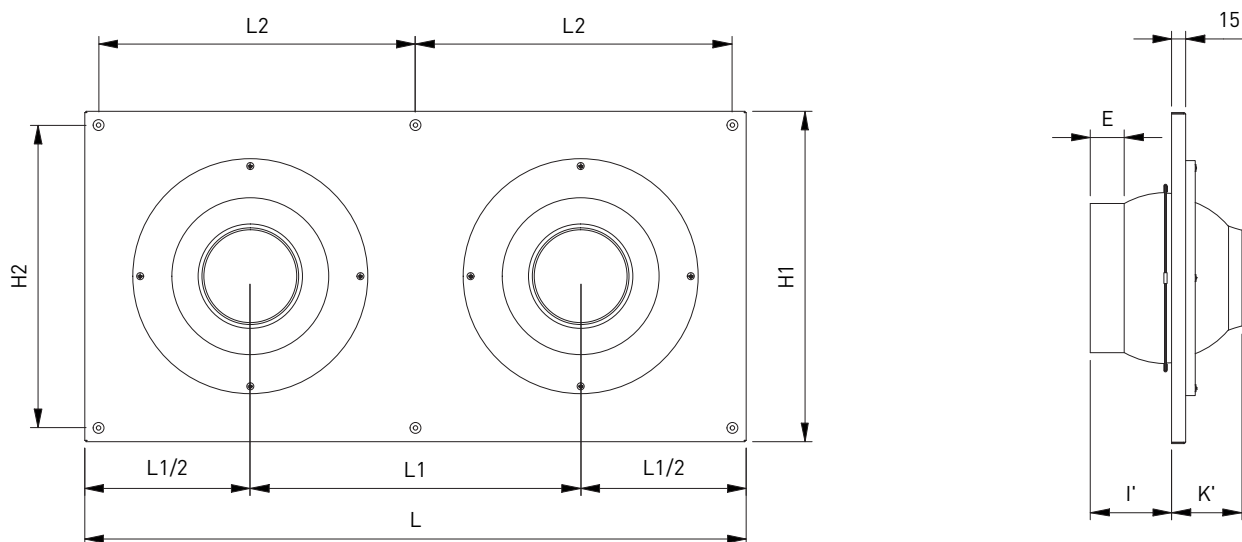
ØN	ØA	ØB	ØC	E	ØF	G	I	J	K	ØS
160	102	220	248	36	196	51	101	124	59	233
200	135	259	298	39	238	66	116	141	64	270
250	174	309	363	43	288	81	131	162	74	320
315	215	378	452	51	355	101	156	200	80	390
400	265	473	600	61	450	121	189	257	129	570

All dimensions in mm

JD150-FP2



JD160-FP2



DIMENSIONS

ØN	# Jets	E	G'	I'	L	L1	L2	H1	H2	K'
160	2	36	36	86	700	350	335	350	320	74
	3	36	36	86	1050	350	340	350	320	74
	4	36	36	86	1400	350	340	350	320	74
	5	36	36	86	1750	350	340	350	320	74
200	2	39	51	101	800	400	385	400	370	79
	3	39	51	101	1200	400	390	400	370	79
	4	39	51	101	1600	400	390	400	370	79
	5	39	51	101	2000	400	390	400	370	79
250	2	43	66	116	900	450	435	450	420	89
	3	43	66	116	1350	450	440	450	420	89
	4	43	66	116	1800	450	440	450	420	89
	5	43	66	116	2250	450	440	450	420	89
315	2	51	86	141	1040	520	505	520	490	95
	3	51	86	141	1560	520	510	520	490	95
	4	51	86	141	2080	520	510	520	490	95
	5	51	86	141	2600	520	510	520	490	95
400	2	61	106	174	1250	625	610	625	595	154
	3	61	106	174	1875	625	615	625	595	154
	4	61	106	174	2500	625	615	625	595	154

All dimensions in mm

JD171-F--

