



CASA TWIST

Fan unit for Smart
cooker hoods



Swegon

CASA Twist – for renovation or new installation

Using the Twist fan unit, you can convert your Smart cooker hood into a modern and functional cooker hood and/or extract air fan. This is an excellent solution for renovation projects, for example, kitchen renovations, or if you want to renew your extract air fan. Thanks to the Twist fan unit, you don't need to settle for an old-fashioned cooker hood in a new kitchen, rather you can choose an elegant cooker hood from Swegon's modern Smart range. At the same time, you will save energy and improve the quality of the indoor air.

Swegon CASA Twist is a fan unit for cooker hoods. The fan unit can also be used as a house fan. The fan unit is controlled with a Swegon CASA Smart cooker hood. Twist is equipped with an energy-efficient EC-direct current fan. The cooker hood and fan unit have separate power supply cables, and therefore require a double wall socket. The fan unit conforms to protection rating IP34 when the cover is closed. The delivery includes a Twist fan unit, fasteners, external connection sleeve and duct plugs for extra output ducts, as well as a control cable.

It is also possible to control the fan unit with the EC regulator (IEC), which is available as an accessory, equipped with a 0-10 V output.



Twist installed with Salsa cooker hood

Can be connected directly to the following cooker hoods:

Blues 500 & 600 mm, with installation directly above the cooker hood (with Ø125 mm and 100 mm duct)



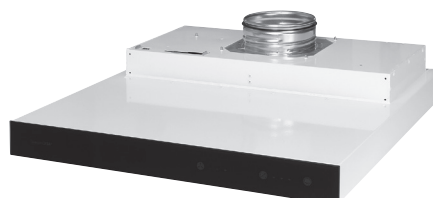
Salsa 500 & 600 mm, with installation directly above the cooker hood (with Ø125 mm and 100 mm duct)



Jazz (M) 600 mm, with installation directly above the cooker hood (with Ø125 mm and 100 mm duct)

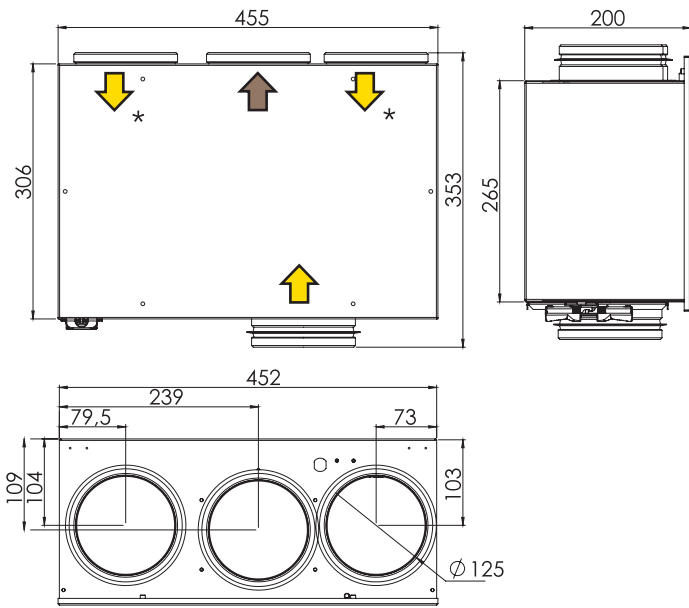


Samba 500 & 600 mm, with installation directly above the cooker hood (with Ø125 mm and 100 mm duct)



Technical data

Dimensions

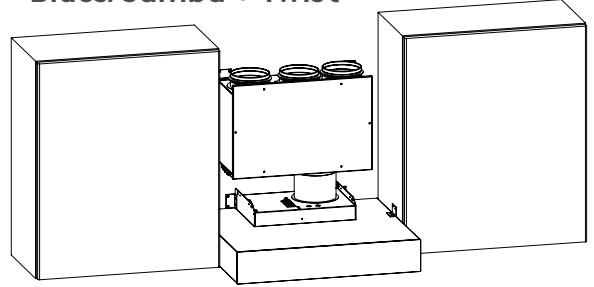


Extract air Exhaust air
 The additional extract air ducts have end caps

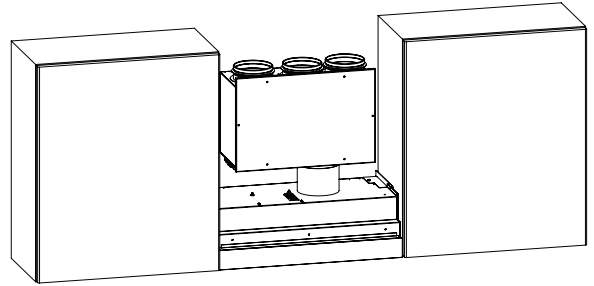
Part number

TTEC

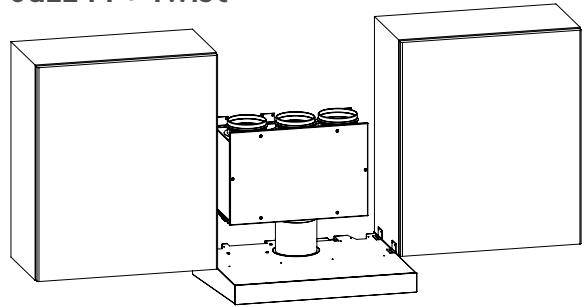
Blues/Samba + Twist



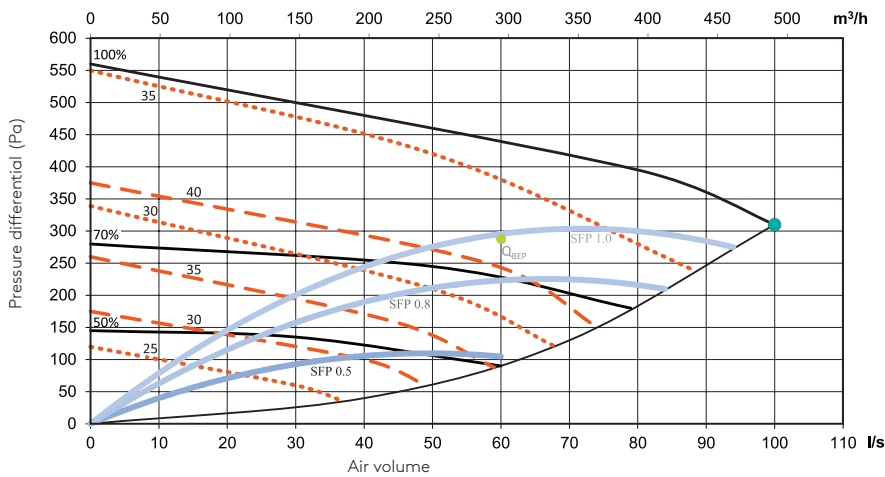
Salsa + Twist



Jazz M + Twist



Airflow



- Flow frequency at optimum efficiency point
- Max. airflow
- Sound power L_{WA} dB(A)
- Sound power TTEC built into kitchen cabinet L_{WA} dB(A)

Correction table, sound data

	Sound power level, L_w (dB), table K_{ok}							
	63 Hz	125 Hz	250 Hz	500 Hz	1000 Hz	2000 Hz	4000 Hz	8000 Hz
Sound emitted to the surroundings	10	8	0	-1	-7	-13	-17	-20

ENERG
енергия · енерґія

Y IA
IE IA

Swegon CASA Blues / Jazz / Salsa + Twist

A

25
kWh/annum

A B C D E F

A B C D E F

A B C D E F

27 dB

65/2014

Feel good **inside**



Swegon 