



CASA TANGO+

The invisible cooker hood



CASA Tango+

The invisible cooker hood

The invisible cooker hood Swegon CASA Tango+ integrates elegantly as a part of each kitchen interior as the cabinet doors are used as the front panel. Together with your home's ventilation system, it guarantees fresh indoor air and energy-efficient, balanced ventilation in your home.

Tango+ fits kitchen cabinets of all depths. The smooth surfaces and washproof metal grease filters are easy to keep clean. The lighting in the hood is made up of maintenance-free LED lights with adjustable brightness. The cooker hood with voltage protection (24 V) is equipped with a mains transformer – its power consumption is therefore low and the hood is always safe for the user. All electrical connections are located above the hood and are therefore quick and easy to connect during the installation phase. The hood is also fitted with a function for up to 10 hours of summer cooling, which can be easily selected on the hood. The CASA Tango+ cooker hood can be combined with different types of ventilation system in blocks of flats, terraced houses and detached houses.

Control of ventilation units

A Smart ventilation unit can be controlled from the Tango+ cooker hood (remote/home/boosting). The ventilation unit automatically compensates for the air removed via the cooker hood, preventing low pressure from occurring unnecessarily in the home. The cooker hood has a high cooking odour capturing capacity and works effectively with low volumes of exhaust, which provides good compensation. It is possible to control an older AC ventilation unit using the ITFC transformer available as an accessory.

Control of roof fan

The Tango+ cooker hood can be used to directly control a modern EC roof fan. Older AC-operated roof fans can be controlled using the ITFC transformer available as an accessory.

Centralised system in blocks of flats

Tango+ Central models are suitable for centralised ventilation systems in blocks of flats. The hoods offer a damper status signal (potential-free) and an option to control the damper externally.

Control of various actuators

The cooker hood's balancing unit (CHB) makes it possible, via a terminal, to balance the negative pressure caused by the Central cooker hood's boosting and the general ventilation (basic air flow). In this way, excessive/harmful negative pressure inside the home is avoided.

Safera Safety stove guard

The Tango+ cooker hood can be equipped with the Safera Safety stove guard. The stove guard helps to protect against the usual kitchen accidents by preventing the cooker from being left unsupervised while in use and cutting the power if you forget to turn off the cooker. On the Safera models of Tango+, the stove guard is preinstalled in the cooker hood and is attached to the cooker hood in the installation space. In addition to this, a power control unit that is approved for use (3-phase or 1-phase) is needed. Swegon also recommends installing a water leakage monitor (SA1).

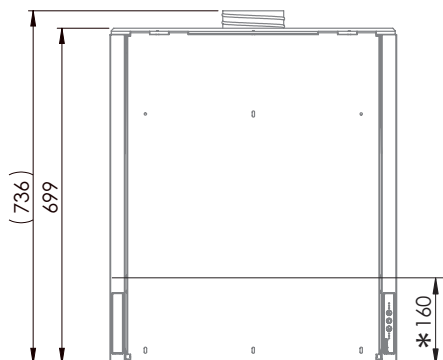
- 1 Captures up to 97 percent of the cooking odours at low air flows
- 2 Tango+ fits in 700 mm high top cabinets.
- 3 Excellent cooking odour arresting capability at very low air flows: 97 %, 20 l/s / 72 m³/h
- 4 Maintenance-free LED lighting, adjustable brightness
- 5 Moveable control panel (right/left side)
- 6 Easy-to-install the interior fitting door thanks to the detachable front panel
- 7 Available widths 500 and 600 mm. Height 700 mm.



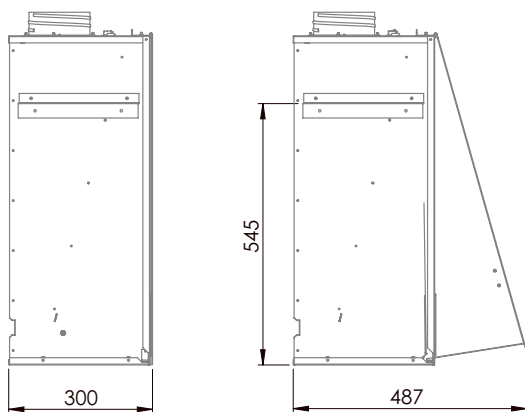
Technical specifications

Dimensions

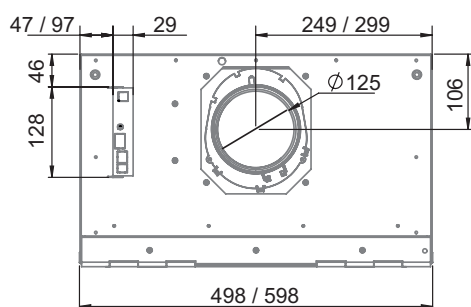
Tango+, view from the front and from the side.



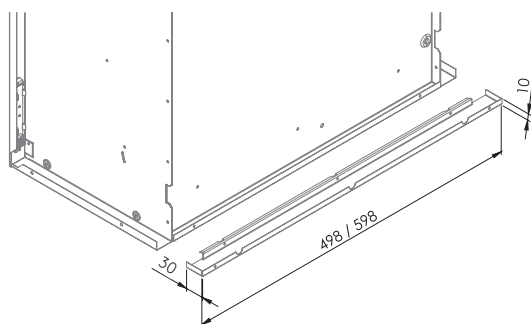
*Grease filters distance from the edge



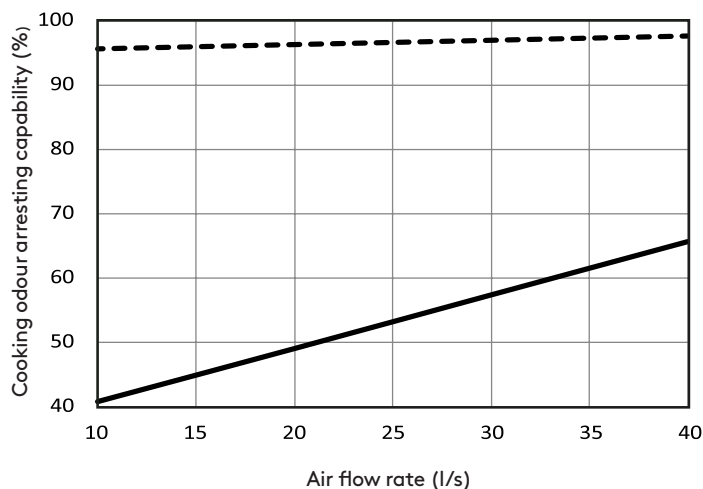
Tango+, view from above



Rear cover strip TTPL+ 30 mm (for 330 mm cabinet bodies)



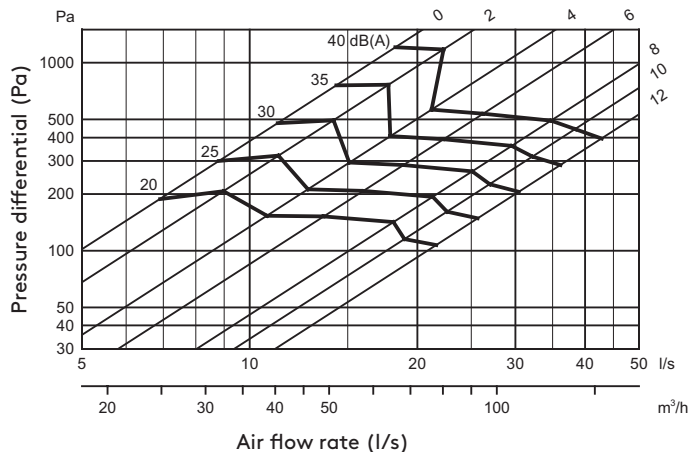
Cooking odour arresting capability



--- Complies with the IEC 61591:2005 standard.
 — Complies with the EN13141-3:2017 standard.

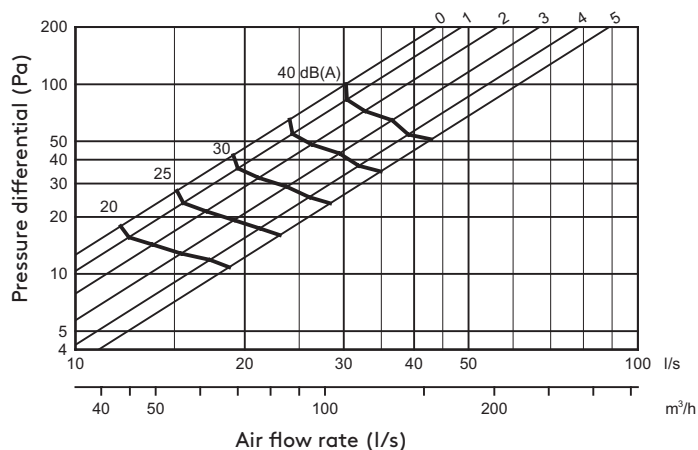
The Central models have a balancing unit as standard for the basic air flow and boosting. For centralised ventilation systems.

Regulation curve for the basic air flow in the Central model (the pressure in the measuring device)



$L_p A$ = A-measured sound pressure level at 10 m² Sabin

Central model boosted ventilation





Without front cover



With front cover



Models

	CASA TANGO+ SMART	CASA TANGO+ CENTRAL	CASA TANGO+ FREE FLOW
Compatible with	CASA ventilation unit	●	—
	Centralised ventilation system	—	●
	Centralised ventilation systems (Free Flow)	—	—
	EC external fan	●	—
	AC external fan	○*	—
Width mm	500/600	500/600	500/600
Height of front panel mm	—	—	—
Depth mm	295/490	295/490	295/490
Electrical connection	Plug	Plug	Plug
Colour/material	White	White	White
Lighting	LED (4000K)	LED (4000K)	LED (4000K)
Control panel	Buttons	Buttons	Buttons
Grease filter	3 stainless steel filters	3 stainless steel filters	3 stainless steel filters
Damper	●	●	—
Electronic timer	●	●	—
Fan speed	3 speeds	—	—
Smoke extractor	○	○**	○***
Boosting air flow control	○	●	○***
Silencer box	—	—	—
Duct enclosure	—	—	—
Safera safety technology	○	○	○
Safety voltage	●	●	●
Installation method	Between kitchen cabinets	Between kitchen cabinets	Between kitchen cabinets
Provision to control the damper with a separate switch	●	●	—
Indicating signal for the damper position	●	●	—

● Standard ○ Possible — Not possible * ILVA transformer as accessory (ITFC) ** CSB as accessory *** 3202 as accessory

Product codes and accessories

Code	Product	GTIN
PTV67	Tango+ Smart 600mm	6415879068909
PTV57	Tango+ Smart 500mm	6415879068886
CTV6P	Tango+ Central 600mm	6430080090891
CTV5P	Tango+ Central 500mm	6430080090907
CTFV67	Tango+ Free Flow 600mm	6415879068879
CTFV57	Tango+ Free Flow 500mm	6415879068862
PTV67S	Tango+ Smart Safera 600mm	6415879068916
PTV57S	Tango+ Smart Safera 500mm	6415879068893
CTV6PS	Tango+ Central Safera 600mm	6430080090914
CTV5PS	Tango+ Central Safera 500mm	6430080090921

Code	Product	GTIN
TTPL5/TTPL6	Rear cover strip TTPL + 30 mm, for 330 mm cabinet bodies	
CHTWMB	Wall mounting bracket. Used when top cupboards are not fitted on both sides.	
CHB	Balancing unit for cooker hood	
CHR24V	Cooker hood relay 24VDC	
632039	Safera power control unit 3-phase FI model	
632037	Safera power control unit 1-phase FI model	
SA1	Safera water leakage monitor	
3202	Extract air valve for Free Flow hoods	
ITFC	Transformer unit for AC control	
CSB	Throttling box / Smoke limiter	
FRI30834	Damper cover for Central cooker hood	

Feel good **inside**

