

WISE WS

Weather station - Weather Station Compact WSC11



QUICK FACTS

- Small and compact design
- Measures light intensity at the four points of the compass
- Integrated GPS and clock
- Used to control solar shading within Swegon's demand-controlled indoor climate system WISE

Technical description

Design

WISE WS is a small weather station designed for outdoor installation. It combines precise measurement values with a very compact design. The integrated GPS module receives date, time, station height and geographical position automatically. The weather station measures both sun angle and sun height. The weather station measures light intensity simultaneously at the four points of the compass: North, South, East and West.

The product communicates with Modbus RTU via WISE DIR to SuperWISE.

WISE WS comes with the following 10 m connection cable and stainless steel wall mounting bracket.

Function

WISE WS can measure several meteorological parameters such as light intensity, sun angle and sun height. These are used by the WISE system to control solar shading.

Materials and surface treatment

Polycarbonate casing. Stainless steel wall mounting bracket.

Installation

Mounted on a mast, or directly on the building using the accompanying wall mounting bracket.

Commissioning

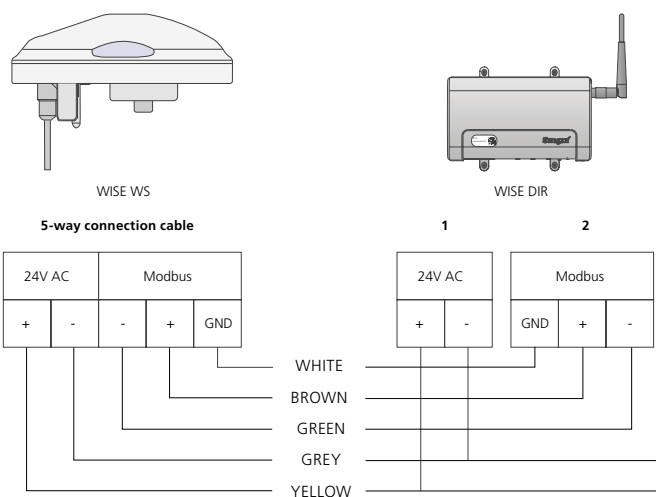
Connect the weather station to the WISE DIR that has been activated for communication with the weather station.

Maintenance

Use a soft cloth with water if necessary. Never use a detergent or cleaning solvent.

Technical data

Function	Range of measurement
Wind speed	0 ... 40 m/s
Wind direction	1 ... 360°
Light intensity	0 ... 150 kLux (N, S, E, W)
Sun angle	1 ... 360°
Sun height	1 ... 360°
Twilight	0 ... 999 Lux
Precipitation	0/1 (no/yes)
Temperature	-30 ... +60 °C
Relative humidity	
Relative	0 ... 100%
Absolute	0 ... 400 g/m ³
Dew-point	-30 ... +60 °C
Air pressure	300 ... 1100 hPa



5-way connection cable

PIN	Core colour	Function
2	White	DATA_GND
3	Brown	DATA +
4	Green	DATA -
6	Yellow	24 V AC +
7	Grey	24 V AC -

Figure 1. Connection WISE WS.

Dimensions and weights

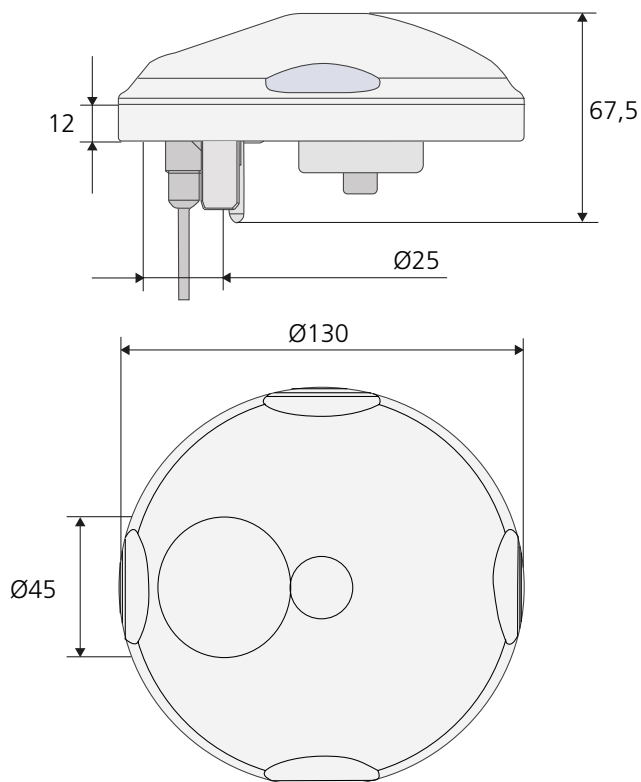


Figure 2. Measurements, WISE WS.

Weight, casing (kg)
0.22

Specification

Product

Unit	WISE WS	a
Version:		

Specification text

Example of the specification text conforming to VVS AMA Standard.

UBA.43 Sensor with composite function, mounted outdoors, designed for digital communication

Make: Swegon

Type: WISE WS

Weather station for Swegon’s system WISE, with the following functions:

- Measures wind speed, wind direction, light intensity, sun angle, sun height, twilight, precipitation, temperature, air humidity and air pressure.
- Integrated GPS and clock
- Used to control solar shading within Swegon’s demand-controlled indoor climate system WISE

Specification

Power supply:	24 V AC
IP class:	IP65, only with correct installation
Communication:	Modbus RTU via WISE DIR

Type: WISE WS a xx items