

LOCUS

Room unit for waterborne climate systems



QUICK FACTS

- The room unit is a setpoint selector switch with integrated temperature sensor
- The unit is equipped with a capacitive, digital, full-colour screen with selectable display options
- The unit can be used as a configuration tool during commissioning, in which case it becomes a portable unit that can quickly be connected to the climate product with a cable
- The unit can be mounted on a wall, flush mounted in a standard electrical box
- Power supply via RJ12 cable to controller
- Available in two different colours

Technical description

Version

The room unit is a setpoint selector switch with built-in temperature sensor, designed for Swegon's products with a URC1 controller. It has a digital, colour touch-display, where on the first page you regulate the indoor climate by increasing or decreasing the setpoint temperature. On the next page, you can see air flows, pressure, VOC, CO₂ and alarms.

The display presents the current operation mode in the room (heating/cooling). There is also a menu list in the top left corner where, when inputting a code, you can access more functions/parameters.

The room unit consist of a mounting attachment, frame, display and card reader, and is connected to the controller with the help of an RJ12 cable.

Placement

The unit is mounted on a wall, flush mounted in a standard electrical box. Avoid placing the unit in direct sunlight.

Material and surface treatment

The product is made of ABS plastic.

Colour

The frame is available in two selectable colours, white and black.

Function

LOCUS can be used as a temperature sensor and setpoint selector switch for the controller. It can also be used as a configuration tool during commissioning.

Mounting

The unit is flush mounted in a standard electrical box.

Maintenance

If necessary, use a dry cloth when cleaning. Never use water, detergent, cleaning solvent or a vacuum cleaner.

Environment

The Building Material Declaration is available for downloading at www.swegon.com.



Figure 1. LOCUS.



Figure 2. URC1 controller.

Technical data

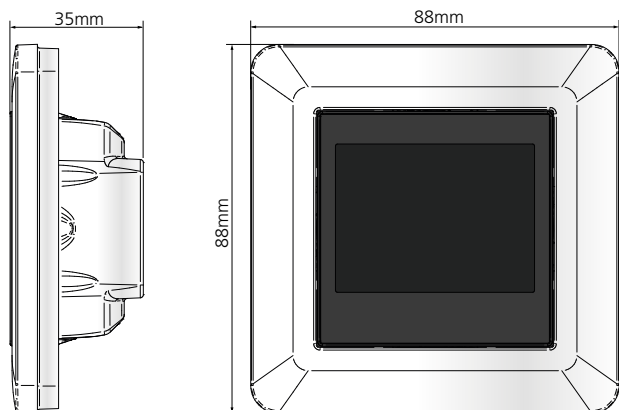


Figure 3. Dimensional drawing - LOCUS.

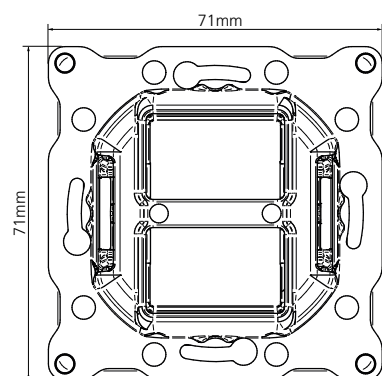


Figure 4. Dimensional drawing, mounting attachment.

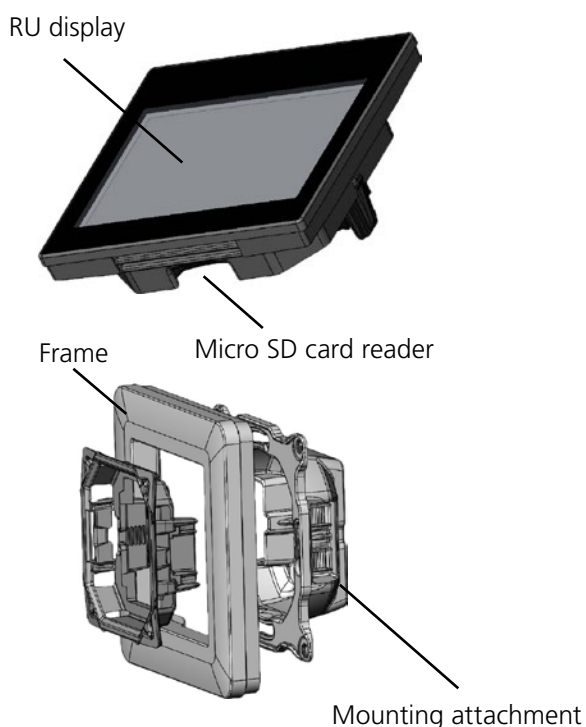


Figure 5. Component parts.

Technical data

Display	Capacitive touch TFT Display QVGA 2.3"
Screen resolution	320x240
Communication	Modbus RTU via RS-485
Temperature sensor	Internal 10K NTC sensor
Operating temperature	+5 ... +40°C
Degree of protection	IP20
Dimensions	88 x 88 x 35 mm
Operating voltage	12-40 VDC
Current requirement	0.5 W

Connection

LOCUS	Connection	Description
VDD	RJ12	12-40 VDC power supply
A+	RJ12	RS-485 bus connection
B-	RJ12	RS-485 bus connection
GND	RJ12	Earth for 12-40 VDC power supply
NTC	RJ12	
Memory card slot		The user panel's software can be updated via a Micro SD card

Approval

EC Directive:	93/68/EEC
Low Voltage Directive:	2014/35/EU
Machinery Directive:	2006/42/EEC
EMC Directive:	2014/30/EU
RoHS Directive:	2002/95/EC
Vibrations:	EN-60721-3-3

Specification

Product

Room unit	LOCUS	a-	b
Version:			
Colour:			
W = White			
B = Black			

Accessories

Cable	RJ	12
For connection to controller		

Specification text

Example of a specification text according to VVS AMA.
Swegon's room unit for air and waterborne climate systems.

LOCUS room unit with the following functions:

- Setpoint selector switch with integrated temperature sensor.
- Designed for products with URC1 controller
- Equipped with a capacitive, digital, full-colour screen with selectable display options
- The room unit is connected to the controller via an RJ12 connection

Ordering examples

- Room unit/Setpoint selector switch LOCUSa-W XX items

Accessories

- Cable RJ12 XX items

Documentation

The following documentation can be downloaded from our website www.swegon.com.

LOCUS Instructions for Use

LOCUS Building Materials Declaration

LOCUS CE Declaration