

ADAPTER

Installation – Commissioning – Maintenance

20220614

Maintenance

The adapter can be cleaned, if necessary, using lukewarm water with dishwashing detergent added.

Alternatively, vacuuming with a brush nozzle.

Installation

Note that the air diffuser is fixed against the duct system, the suspending ceiling should not support the air diffuser.

Depending on which suspended ceiling system is being used and the size of the air diffuser, the diffuser is installed under ADAPTER, see figure 3, or placed in ADAPTER, see figure 2.

Dimensions and weight

Diffuser

Size	Dimension (mm) B x B	Weight (kg)
600-500	455 x 455	1,52
625-600	555 x 555	0,83
675-600	555 x 555	1,42
600-600	555x555	0,8

ADAPTER AxA

Designation	Dimensions (mm) A x A
A1	595 x 595
A2	600x600
A3	600x600
A4	600x600
A5	600x600
A6	592x592
A7 (T15)	583x583
A7 (T24)	574x574

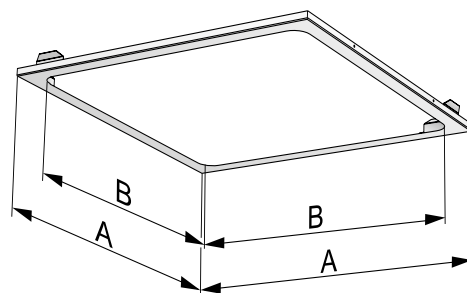


Figure 1. ADAPTER quadratic air diffuser.

ADAPTER

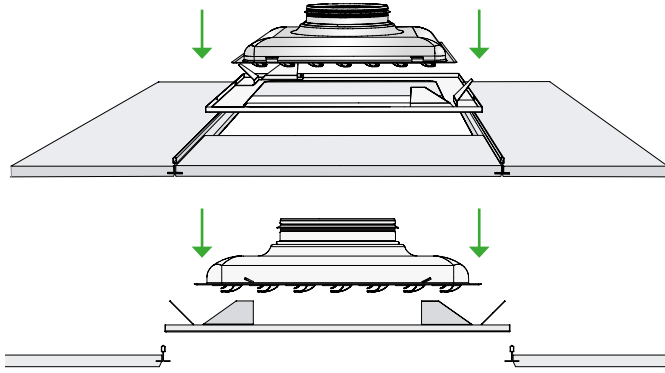
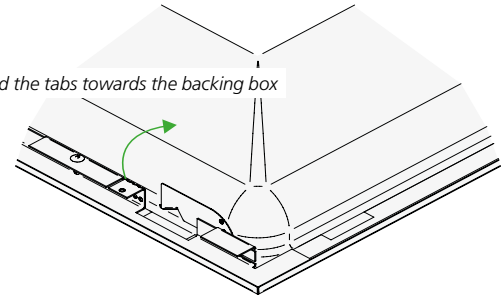


Figure 2. Assembly of ADAPTER and air diffuser 500.

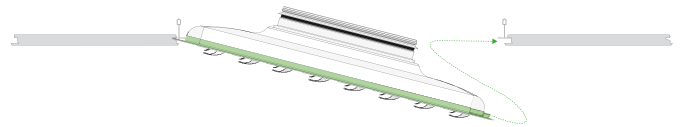
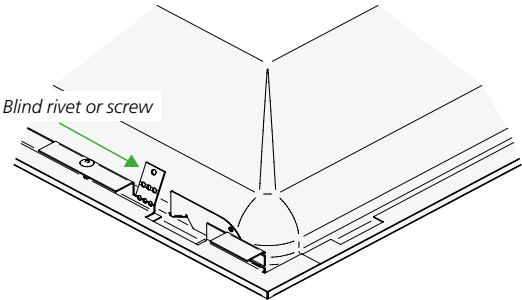
Place ADAPTER
over the air diffuser



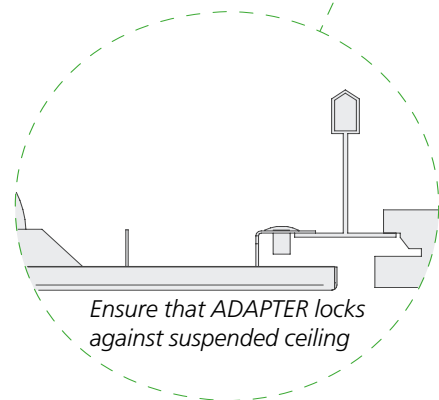
Bend the tabs towards the backing box



Blind rivet or screw



Diffuser with ADAPTER is installed upwards from underneath



Ensure that ADAPTER locks
against suspended ceiling

Figure 3. Assembly of ADAPTER and air diffuser 600.