



Efficient heating with infrared radiation

The INFRA ER 2600W heats objects in a room directly, without air displacement. Due to the short warm-up time and the lower room temperature, high energy savings can be achieved.

Heating a room with infrared radiation offers many advantages over conventional air heating. For example, objects in a room are heated directly, without the air having to be heated first. There is no air displacement and therefore no dust displacement, and infrared has the same positive effects as sunlight, including stimulating blood circulation for better recovery of muscles and joints.

Possible applications include: production and logistics halls, offices, schools, churches, homes, catering, shops and patio heating

Features:

- Colour: black
- Heats 12-18m²
- 2 settings on the remote control, 24-hour timer control, weekly timer
- MICA radiation system
- Protection against overheating
- Quiet
- Fast and pleasantly warm
- Targeted heat, no air displacement
- Invisible radiation
- IP 65 protection class

Standard equipment:

- Mounting brackets suitable for wall / ceiling.

Optional:

- Remote control

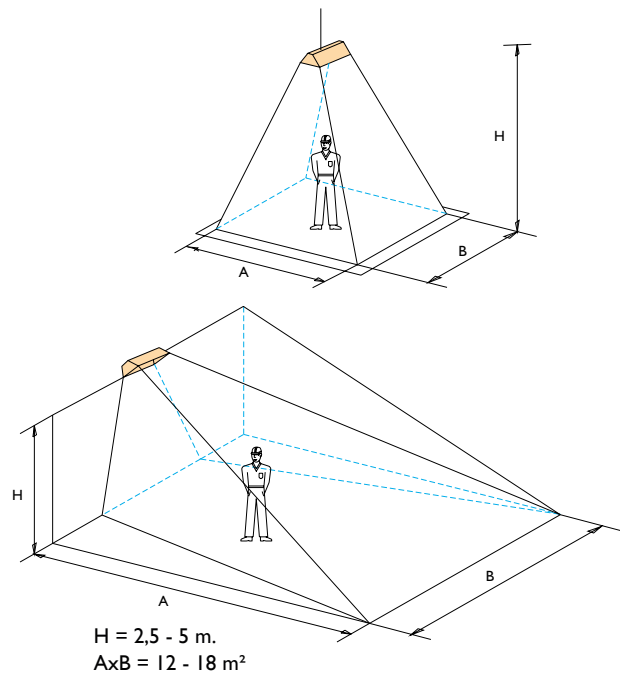
Dimensions

Infra ER 2600W		L	W	H
With remote control	mm	1390	160	85
With on/off button	mm	1510	160	50

Technical information

Infra ER 2600W	Voltage (V)	Wattage (W)	Hertz (Hz)	Weight
With remote control	220-240 V AC	2600	50/60	8,5
With on/off button	220-240 V AC	2600	50/60	8,2

Assembly/location suggestions



Controls

INFRA ER 2600W with on/off button:

