

MARKCLIMATE.COM

Specialist in climate control
since 1945

PRODUCT CATALOGUE 2022

AIR HEATING

RADIANT HEATING

VENTILATION & RECIRCULATION

AIR TREATMENT

DRY COOLERS

HEAT PUMPS

AIR CURTAINS

BOILERS

TOTAL SOLUTION SUPPLIER IN CLIMATE TECHNOLOGY



mark[®]
CLIMATE TECHNOLOGY
FEELS BETTER, WORKS BETTER.



COLDSTREAM

Adiabatic cooling

Sustainable ventilation and adiabatic cooling
Air displacement 20.000 and 25.000 m³/h.



For more information, downloads
and videos, visit the Coldstream
page on our website



Product features

- Electronic remote control with the following functions:
 - Temperature
 - Speed control
 - Relative humidity control
 - Daily and weekly programming
- Economical fan
- Electrical shut-off valve on the water connection
- Water distribution system with an electric pump
- High efficiency cellulose filter pack
- Automatic water change
- Automatic water drainage
- Automatic cleaning

Sustainable ventilation and adiabatic cooling

The Mark ColdStream adiabatic cooling is based on the evaporation of water. The required heat is taken from the outside air. The fresh outside air flows through the water-wetted cellulose filters. Due to the evaporation of the water, the air temperature is reduced in a natural and environmental-friendly manner.

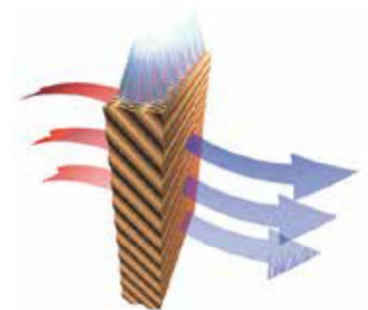
The principle is based on the ventilated cooling with very low operational costs for a favorable price. The system is particularly suitable for cooling and ventilation of large industrial areas.

The technique is reliable, safe, easy and virtually maintenance free. Another big advantage is that there is no annual inspection required. The simple technique is cheap in terms of system maintenance. In addition, the system is legionella proof.

The Mark ColdStream is suitable for workshops, garages, weldinghalls, sports halls, bakeries and exhibition halls.

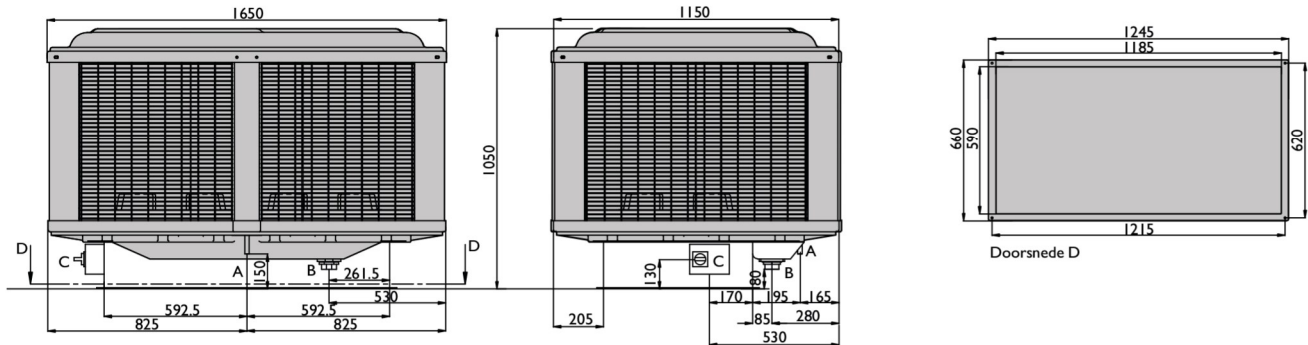
Advantages:

- High ventilation rate
- Ventilation and / or cooling in one system
- Low operating costs
- Favourable purchase price
- Cheap maintenance
- Environmentally friendly
- Increased productivity
- Durable

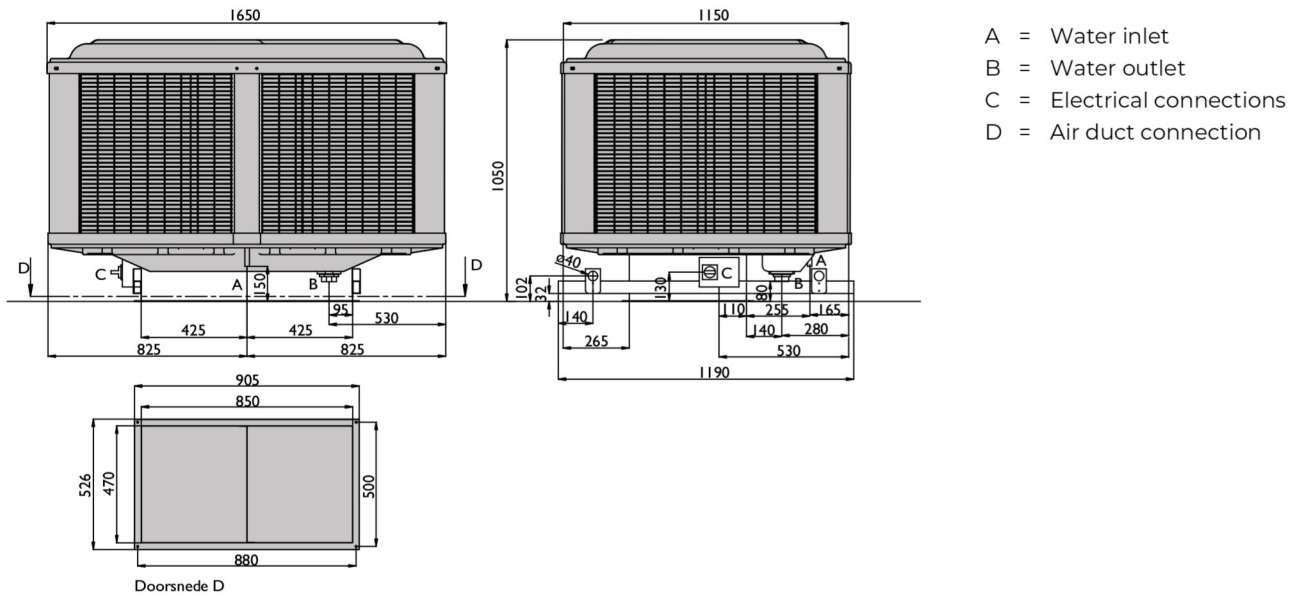


Dimensions

TYPE TA209



TYPE TC209



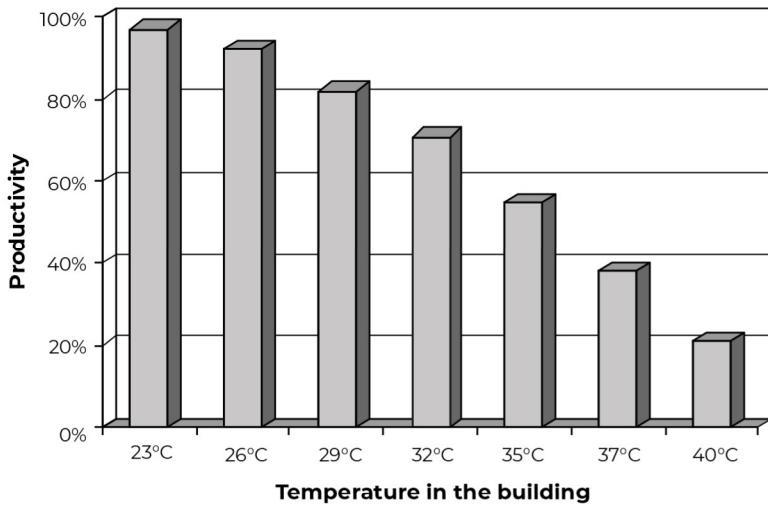
Technical information

Type		TA209	TC209*
Cooling capacity	kW	30	30
Airflow	m ³ /h	20.000	20.000
Nominal power	W	1.800	3.200
Voltage	V/Hz	230/50	400/50
Weight	kg	146	186

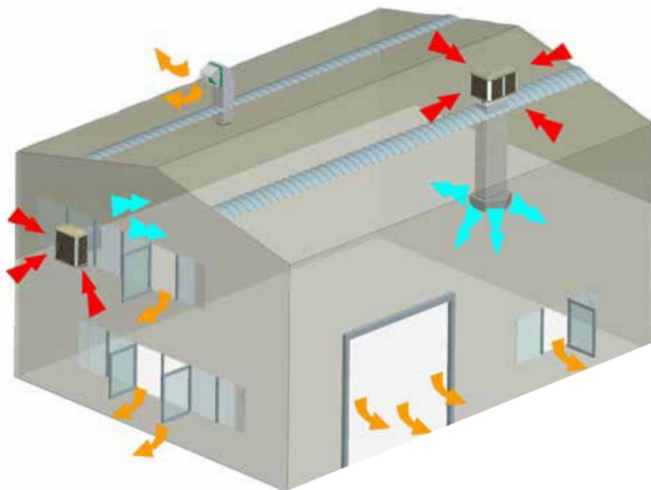
* Unit with centrifugal fan: available static pressure = 80 Pa
Specials on request.

Relative air humidity	30% T.	40% T.	50% T.	60% T.	70% T.	80% T.
	outlet	outlet	outlet	outlet	outlet	outlet
Outside temperature 20 °C	13,5 °C	14,5 °C	15,5 °C	16,5 °C	17,5 °C	18,5 °C
Outside temperature 25 °C	16,0 °C	17,5 °C	19,0 °C	20,0 °C	21,5 °C	23,0 °C
Outside temperature 30 °C	19,0 °C	21,0 °C	23,0 °C	24,5 °C	26,0 °C	28,0 °C
Outside temperature 35 °C	22,5 °C	25,0 °C	27,5 °C	29,5 °C	31,0 °C	32,5 °C
Outside temperature 40 °C	22,5 °C	25,0 °C	27,5 °C	29,5 °C	31,0 °C	37,5 °C

MARK COLDSTREAM ENSURES OPTIMAL PRODUCTIVITY



Assembly/location suggestions



Accessories



Winter cover



6-sided hexagonal air blowing plenum with horizontal louvers

Controls



Control combination options

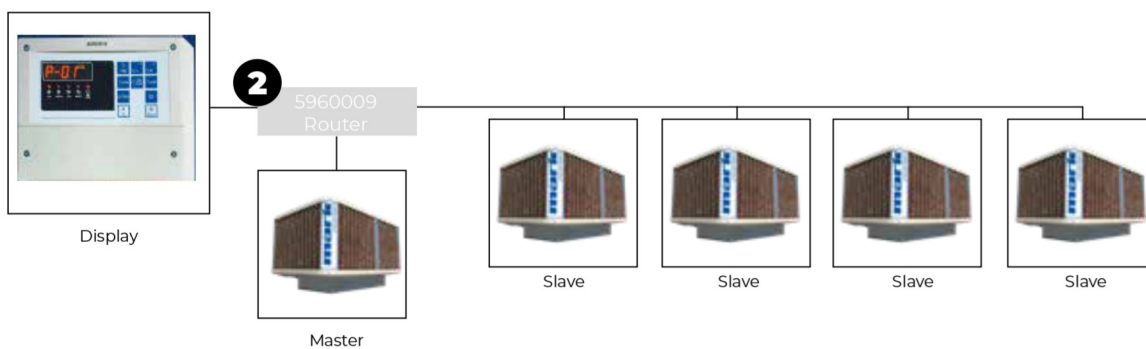
Coldstream - 1 unit + **1**

Coldstream - up to 5 units + **1** + **2**

See price list for description and code numbers of the relevant items

CABS-SYSTEM

With the CABS system 5 ColdStream units can be controlled with 1 Electronic Remote. Mark ColdStream CABS-System is available on request.



Prices Coldstream



PRODUCT - COLDSTREAM ADIABATIC COOLER

Code nr.	Description	Price
5960004	Mark ColdStream TA 209	€ 6985
5960006	Mark ColdStream TC 209 with centrifugal fan	€ 9270

ACCESSORIES - CONTROLS

Code nr.	Description	Price
1 5960010	EVO display electronic remote control	€ 519
2 5960009	Router for CABS-system	€ 435
0631163	Isolator switch, separate delivery, 230V (4 poles)	€ 68
0631167	Isolator switch, separate delivery, 400V (8 poles)	€ 87

For explanation see chapter controls

ACCESSORIES - OTHER

Code nr.	Description	Price
5960011	Winter cover for ColdStream TA 209 and TC 209	€ 379
5960012	6-sided hexagonal air blowing plenum with horizontal louvres	€ 1476
5960013	Air duct TA 209 L=1000mm	€ 801
5960014	Air duct TA 209 L=2000mm	€ 997
5960015	Air duct TC 209 L=1000mm	€ 801
5960016	Air duct TC 209 L=2000mm (2x1000mm)	€ 997