



## Cooker hoods

### CASA ROCK & SWING

The island cooker hoods



# CASA Rock & Swing - The design hoods for kitchen islands

Swegon CASA Rock and Swing design hoods for kitchen islands fit perfectly in modern kitchen environment. In addition to kitchen islands they can be also mounted in the wall. Most importantly you can connect them with your air handling unit so that they work perfectly in balance with your home ventilation to make sure you have a fresh, healthy and energy efficient indoor climate. The lighting in the hood is made up of maintenance-free LED lights with adjustable brightness. The cooker hood with voltage protection (24 V) is equipped with a mains transformer – its power consumption is therefore low and the hood is always safe for the user. All electrical connections are located above the hood and are therefore quick and easy to connect during the installation phase. The hood is also fitted with a function for up to 10 hours of summer cooling, which can be easily selected on the hood. The cooker hood can be combined with different types of ventilation system in blocks of flats, terraced houses and detached houses.

## Control of ventilation units

A Smart ventilation unit can be controlled from the cooker hood (remote/home/boosting). The ventilation unit automatically compensates for the air removed via the cooker hood, preventing low pressure from occurring unnecessarily in the home. The cooker hood has a high cooking odour capturing capacity and works effectively with low volumes of exhaust, which provides good compensation. It is possible to control an older AC ventilation unit using the ITFC transformer available as an accessory.

## Control of roof fan

The cooker hood can be used to directly control a modern EC roof fan. Older AC-operated roof fans can be controlled using the ITFC transformer available as an accessory.

## Controlling the hood's fan unit/ house fan

The cooker hood can be used to directly control the very quiet Twist fan unit (TTEC). Twist can be used to replace the roof fans in small houses.

## Centralised system in blocks of flats

The Rock and Swing models are suitable for centralised ventilation systems in blocks of flats. The hoods offer a damper status signal (potential-free) and an option to control the damper externally.

## Control of various actuators

The cooker hood's balancing unit (CHB) makes it possible, via a terminal, to balance the negative pressure caused by the cooker hood's boosting and the general ventilation (basic air flow). In this way, excessive/harmful negative pressure inside the home is avoided. This actuator is recommended for use in centralised ventilation systems. The apartment specific Smart ventilation unit balances the air removed from the room by CASA cooker hoods automatically, and in doing so prevents harmful negative pressure from occurring.

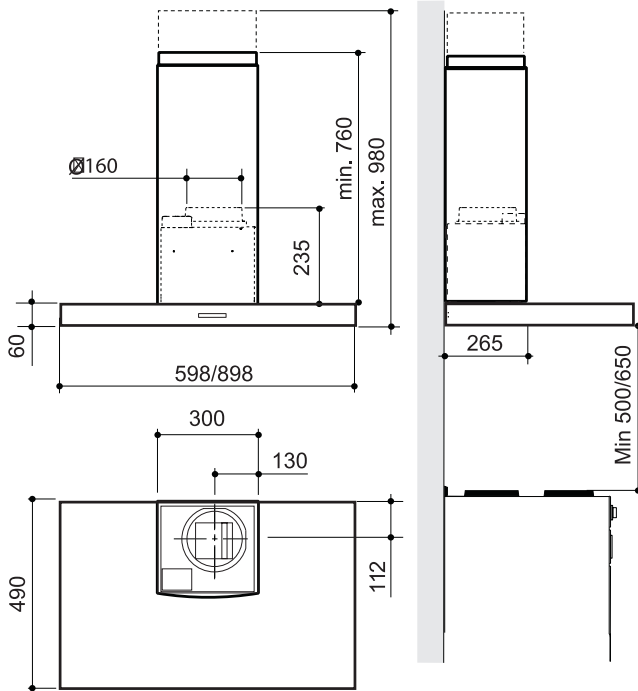
- 1 Excellent cooking odour catching capability: 75 %, 46 l/s/165 m<sup>3</sup>/h
- 2 Can be mounted on the wall or above a kitchen island
- 3 Stainless steel
- 4 600 ja 900 mm, wall mount
- 5 900 mm, kitchen island model



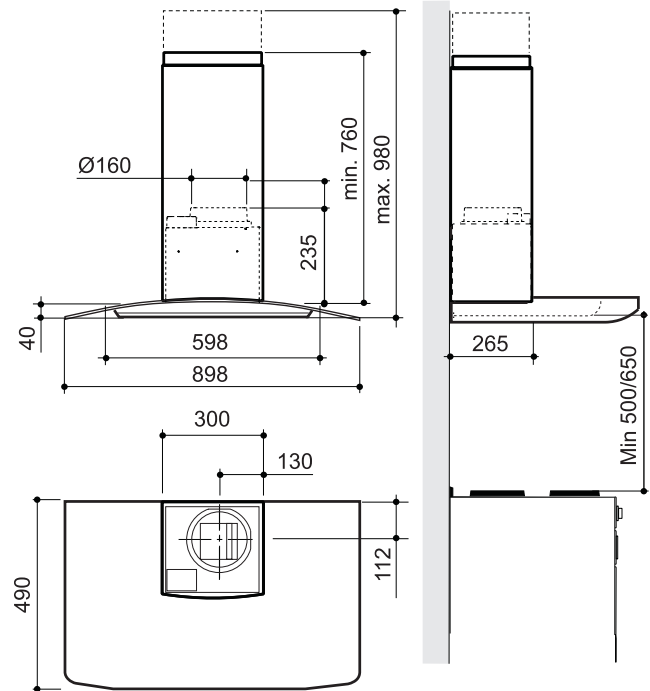
# Technical specifications

## Dimensions

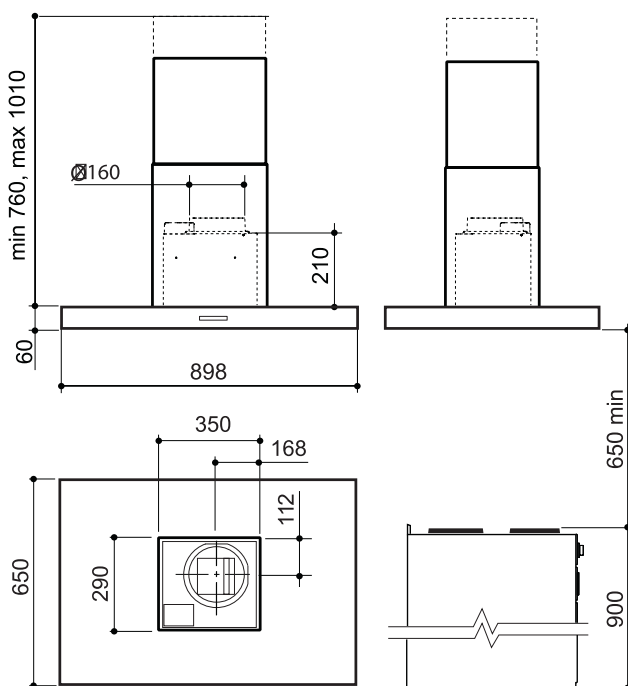
Rock Smart - on a wall



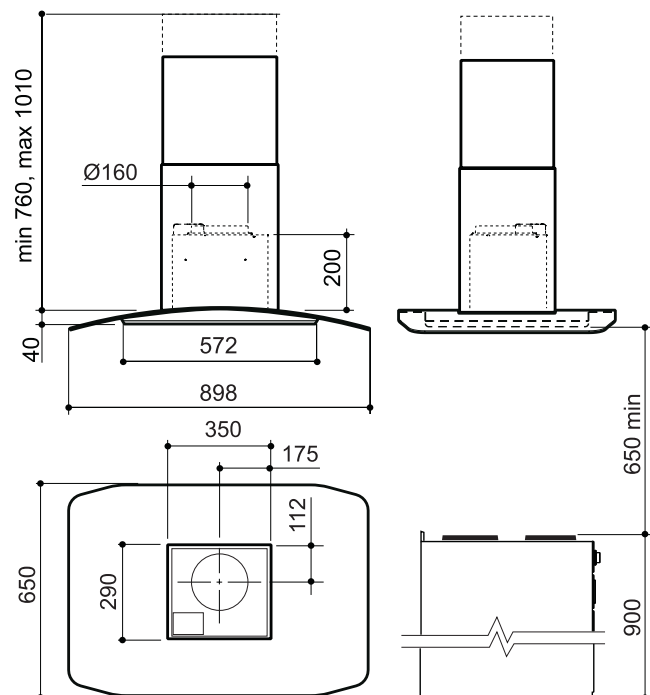
Swing Smart - on a wall



Rock Smart - over the kitchen island



Swing Smart - over the kitchen island





## Rock



## Swing



	ROCK	SWING	
Compatible with	CASA ventilation units	●	●
	Centralized systems	●	●
	Centralized systems (Free Flow)	—	—
	EC roof fans	●	●
	AC roof fans (and AHU's)	○*	○*
Width mm	600/900 on a wall 900 over the kitchen island	600/900 on a wall 900 over the kitchen island	
Height of front panel mm	60	50	
Depth mm	490 on a wall 650 over the kitchen island	490 on a wall 650 over the kitchen island	
Power connection	Plug	Plug	
Colour/material	Stainless steel	Stainless steel	
Lighting	LED	LED	
Control panel	Buttons	Buttons	
Grease filter	2-3 stainless steel filters	2-3 stainless steel filters	
Damper	●	●	
Electronic timer	●	●	
Fan speed	3 speeds	3 speeds	
Smoke limiter	○	○	
Sound attenuator box	—	—	
Duct casing	Stainless steel Wall 760 to 930 mm Kitchen island 760-1010 mm	Stainless steel Wall 760 to 930 mm Kitchen island 760-1010 mm	
Safera safety technology	—	—	
Safety voltage	●	●	
Installation method	On a wall/over the kitchen island	On a wall/over the kitchen island	
Provision to control the damper with a separate switch	●	●	
Indicating signal for the damper position	●	●	

● Standard equipment ○ Available — Not available \* With the accessory ITFC

## Cooker hood CASA Rock/Swing product codes

Code	Product	Code	Product
PRD6BR	Rock - wall model, Stainless steel, 600	PSJ4	Swing - wall model, extension, 400 (L=615 mm)
PRD9BR	Rock - wall model, Stainless steel, 900	PSJ8	Swing - wall model, extension, 800 (L=1010 mm)
PRD9BRI	Rock kitchen island, Stainless steel, 900	PSRJ4	Swing kitchen island, extension, 480 (L=1010-1490 mm)
PRJ4	Rock - wall model, extension, 400 (L=615 mm)	PSRJ8	Swing kitchen island, extension, 1,190 (L=1490-2220 mm)
PRJ8	Rock - wall model, extension, 800 (L=1010 mm)	CHB	Balancing unit for cooker hood
PSRJ4	Rock kitchen island, extension, 480 (L=1010-1490 mm)	CHR24V	Auxiliary relay 24 VDC for kitchen cabinet
PSRJ8	Rock kitchen island, extension, 1,190 (L=1490-2220 mm)	CHR	Auxiliary relay 230 V for controlling actuators
PSD6R	Swing - wall model, Stainless steel, 600	FR131483	Control damper for basic air flow, Rock and Swing
PSD9R	Swing - wall model, Stainless steel, 900	ITFC	AC transformer unit (ILVA)
PSD9RI	Swing kitchen island, Stainless steel, 900	Power24V20W	SET / power source for actuators

Feel good **inside**

