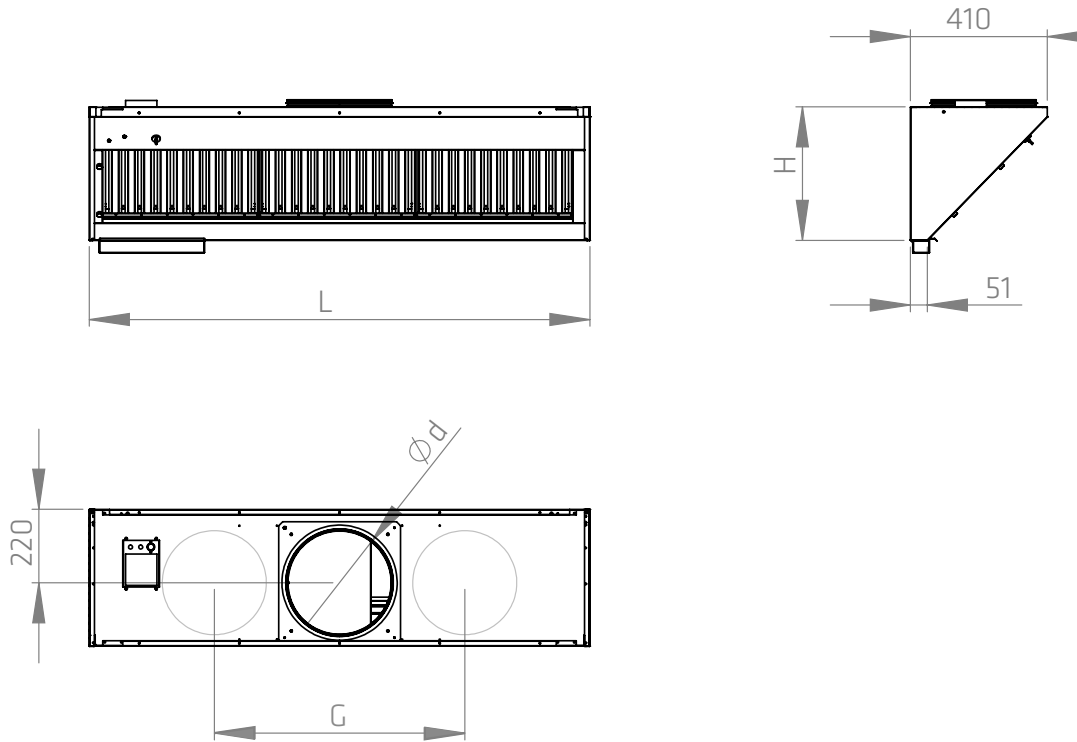


Ceiling ventilation solutions dimensions

CRE exhaust air unit

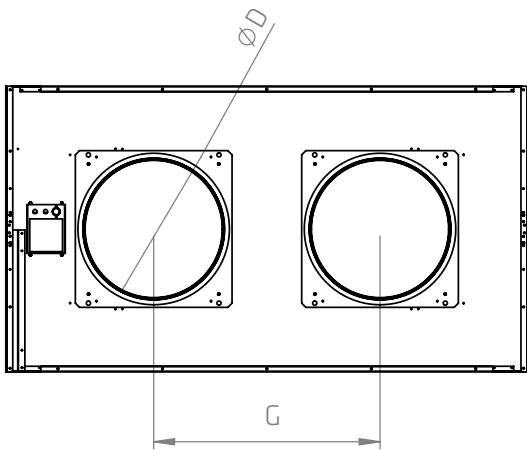
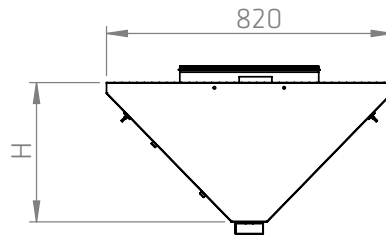
Installation: Wall



	L	H	Ød	Ø	G
CRE-800-1	800	400	200	1xØ	-
CRE-1000-1	1000		250	1xØ	-
CRE-1500-1	1500		315	1xØ	-
CRE-2000-1	2000		250	2xØ	1000
CRE-2500-1	2500		250	2xØ	1250
CRE-3000-1	3000		315	2xØ	1500

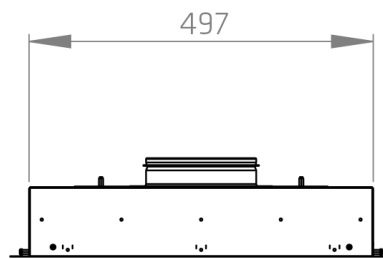
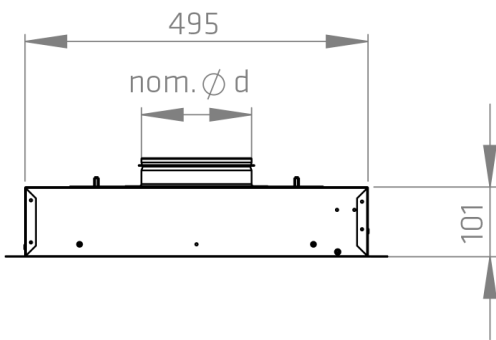
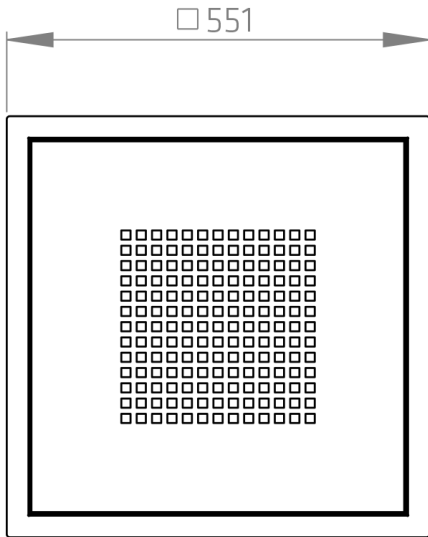
CRE exhaust air unit

Installation: Island



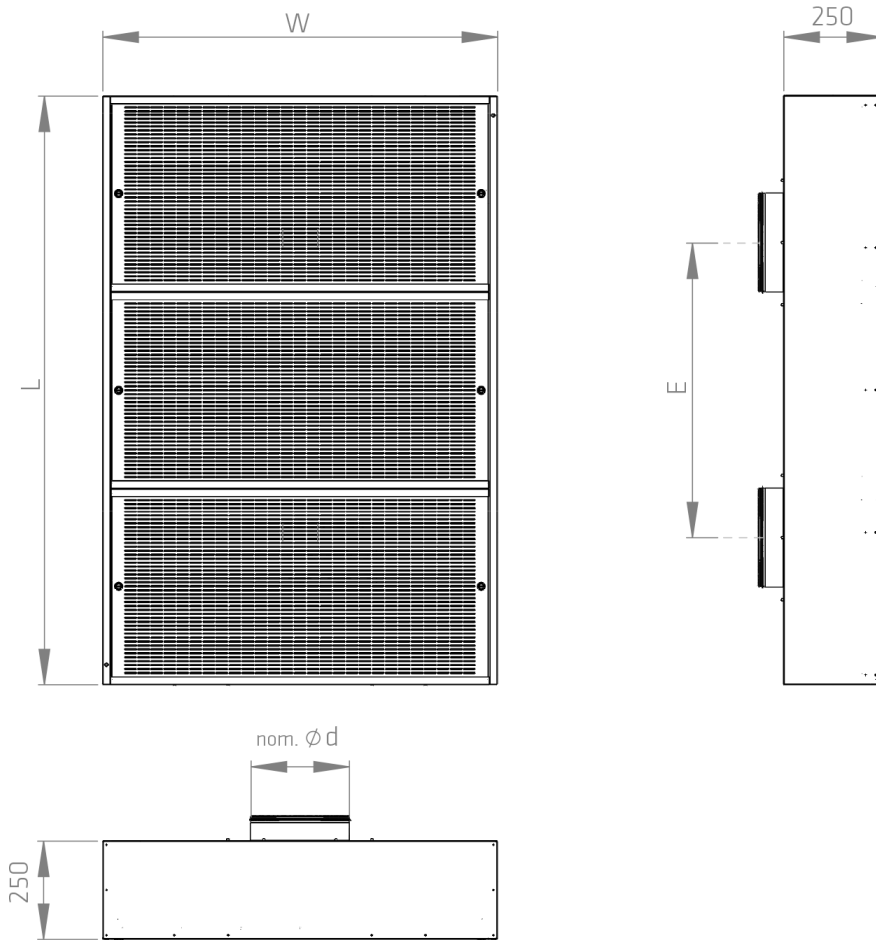
	L	H	Ød	Ø	G
CRE-800-2	800	400	250	1xØ	-
CRE-1000-2	1000		315	1xØ	-
CRE-1500-2	1500		315	2xØ	650
CRE-2000-2	2000		315	2xØ	1000
CRE-2500-2	2500		400	2xØ	1250
CRE-3000-2	3000		400	2xØ	1500

CRO exhaust air unit



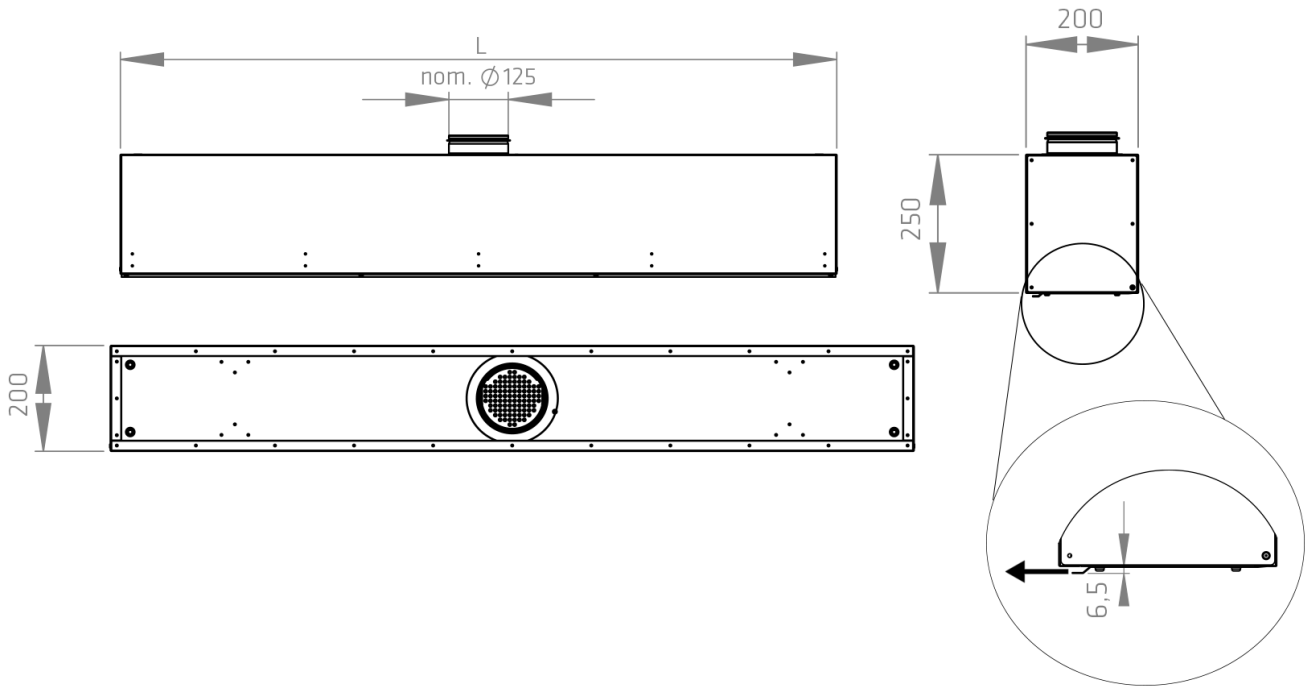
	Ød
CRO-125	125
CRO-160	160
CRO-200	200
CRO-250	250
CRO-315	315

CTI supply air unit



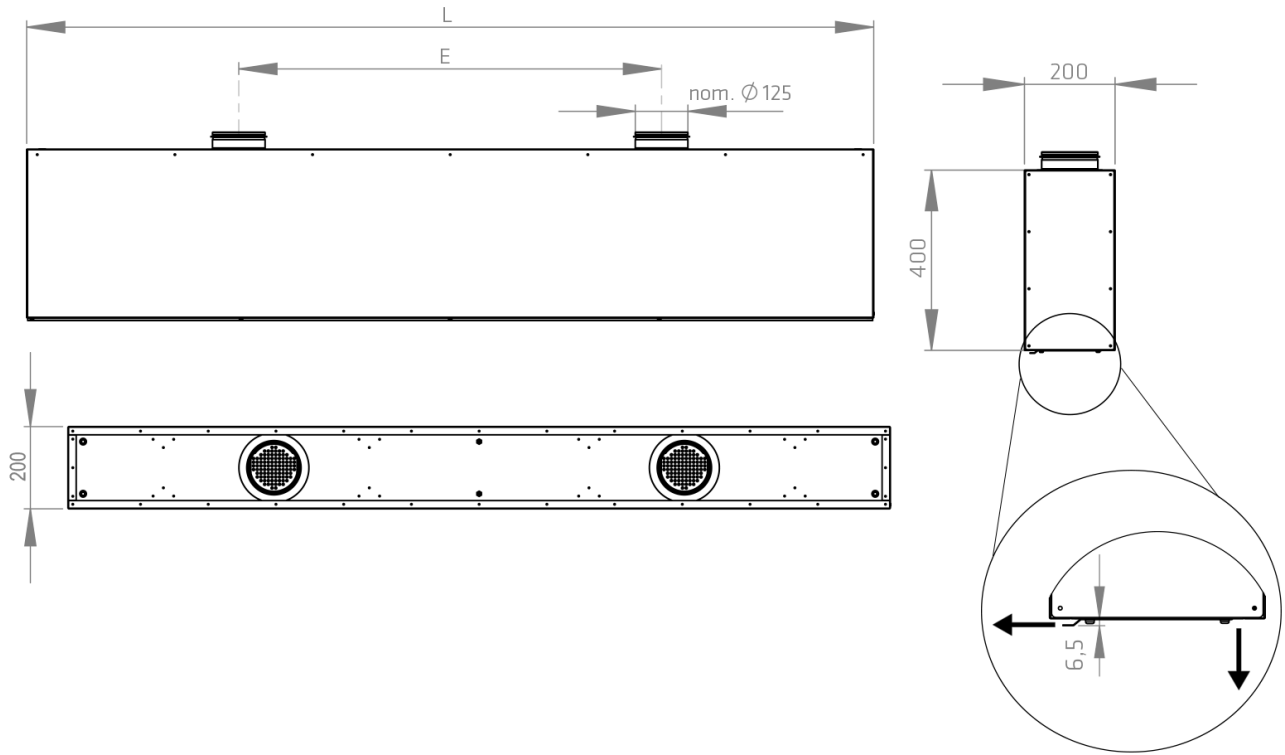
	L	W	Ød	E	Ø
CTI-1000x300	1000	300	160	-	1xØ
CTI-1000x500		500	200	-	1xØ
CTI-1000x800		800	250	-	1xØ
CTI-1000x1000		1000	315	-	1xØ
CTI-1500x300	1500	300	200	-	1xØ
CTI-1500x500		500	250	-	1xØ
CTI-1500x800		800	315	-	1xØ
CTI-1500x1000		1000	250	750	2xØ
CTI-2000x300	2000	300	200	1000	2xØ
CTI-2000x500		500	315	-	1xØ
CTI-2000x800		800	315	1000	2xØ
CTI-2000x1000		1000	315	1000	2xØ

COI capture air unit



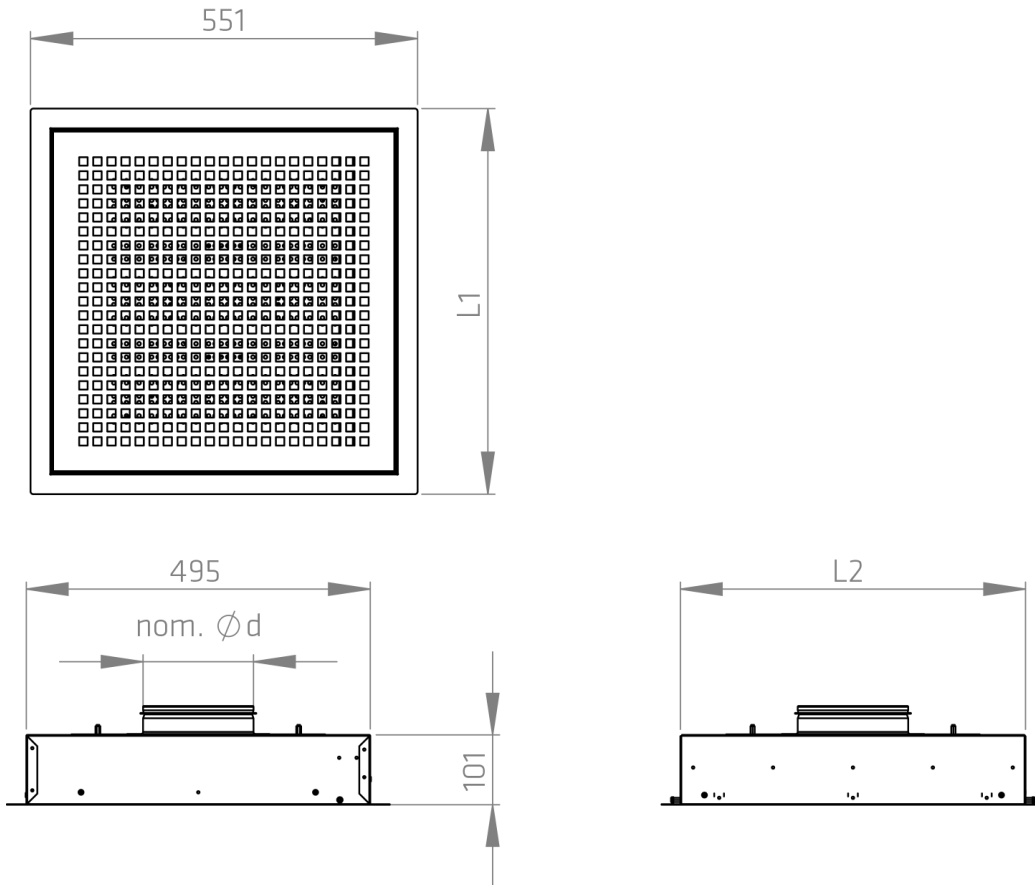
	L
COI-1000	1000
COI-1500	1500
COI-2000	2000

CIL air curtain



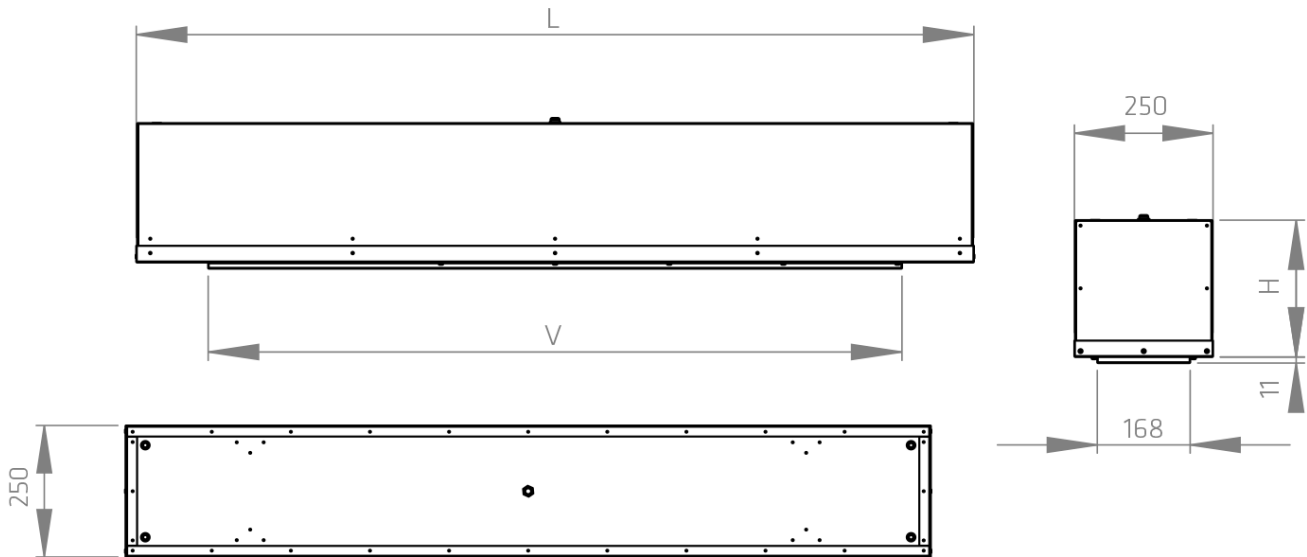
	L	E	Ø
CIL-1000	1000	-	1xØ
CIL-1500	1500	-	1xØ
CIL-2000	2000	1000	2xØ

CTO supply air unit



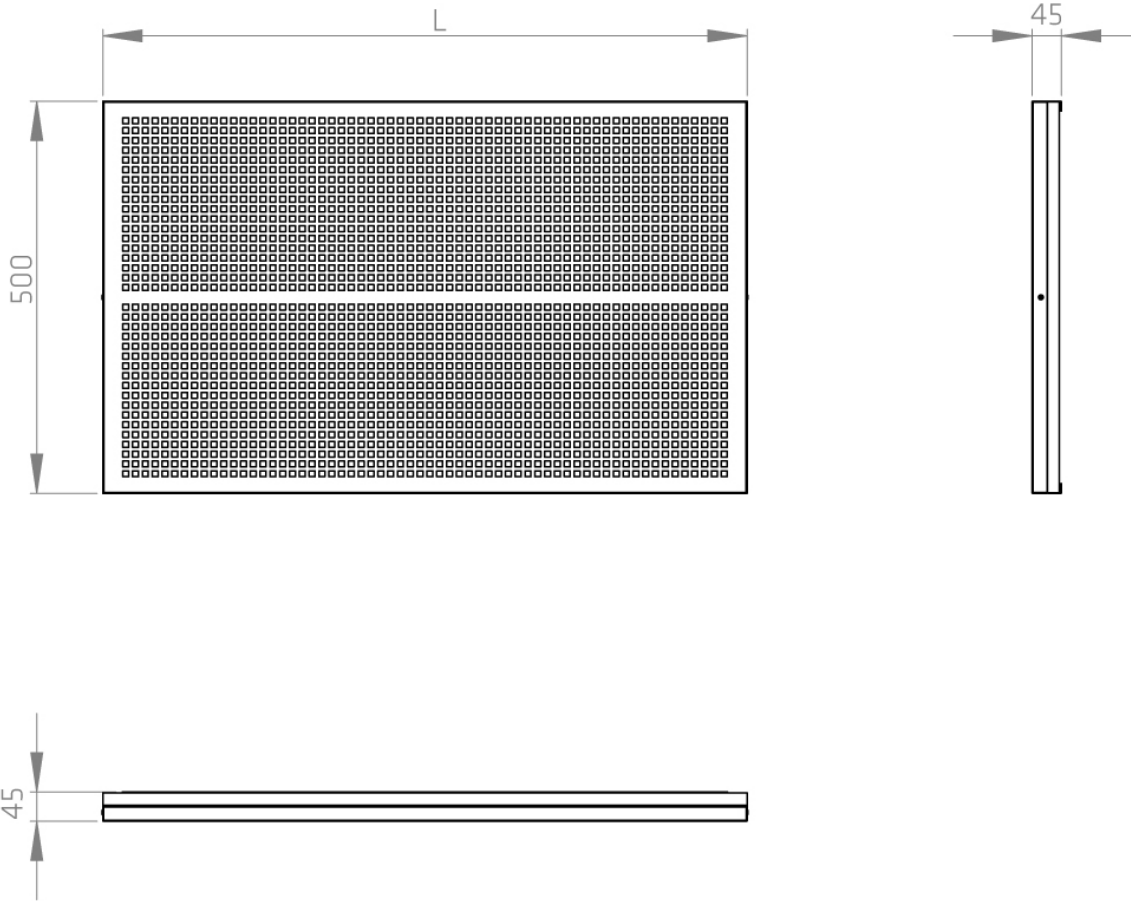
	$\varnothing d$	L1	L2
CTO-125	125	551	497
CTO-160	160		
CTO-200	200		
CTO-250	250	1046	992
CTO-315	315		

CKV luminaire



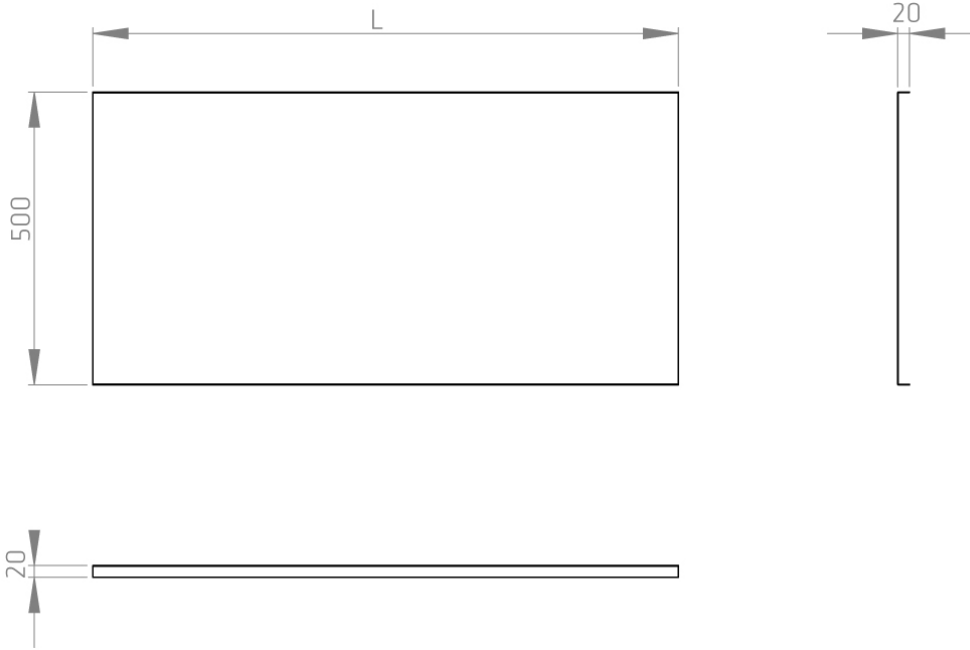
	L	H	V
CKV-1000x130	1000	130	640 (2x14W)
CKV-1000x250		250	
CKV-1500x130	1500	130	1240 (2x28W)
CKV-1500x250		250	
CTI-2000x130	2000	130	1540 (2x49W)
CTI-2000x250		250	

CVL dampening ceiling panel



The length (L) of the panel changes based on the order.

CVS ceiling panel



The length (L) of the panel changes based on the order.