



## Dry coolers: Single row of fans

The Mark AWS is a series of Dry Coolers with a single row of fans. Both the standard version and the low-noise version are available in cooling capacities from 44 kW to 217 kW.

The AWS Dry Coolers are compact and robust. They are made of galvanized steel for both horizontal and vertical mounting using the correct kit. The units are equipped with anchor and lifting points for placement.

The chassis and housing are fully protected with a paint layer with a high corrosion resistance that offers maximum weather resistance. The parts are each coated in RAL 9002 prior to assembly.

Mark single row Dry Coolers are equipped with heat exchangers with a copper tube and aluminum fins. They are equipped with a steel threaded connection.

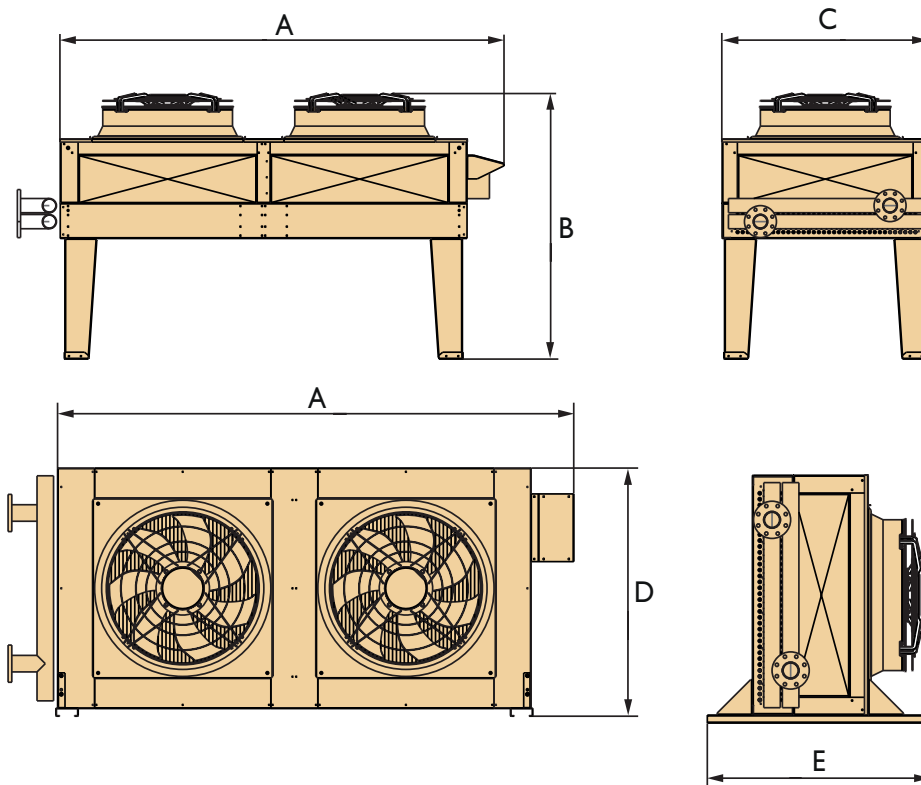
The fans incorporate 3-phase asynchronous external rotor motors with IP54 protection level, class F insulation, with the possibility of connecting them in star or delta, having in this way two speeds of operation.

Adaptation to the most restrictive noise conditions, this range of fan motors is available with a different number of poles.

### Features Mark AWS

- Optimized heat exchangers and fans
- Compact
- Quiet
- Robust
- Economical
- Completely wired up to the terminal box

# Dimensions



## AWSN series - Ø 800 mm fans - standard version

Type	Number of fans	Surface m <sup>2</sup>	Internal volume dm <sup>3</sup>	Connection Ø	A mm	B mm	C mm	D mm	E mm	Weight kg
AWSN-41C-044M	1	99	13	2"	1575	1660	1295	1335	1200	271
AWSN-41D-051M		132	17							283
AWSN-41E-054M		164	21							294
AWSN-42C-090M	2	197	26	3"	2775	1660	1295	1335	1200	471
AWSN-42D-102M		263	35							495
AWSN-42E-108M		329	43							518
AWSN-43C-135M	3	296	39	3"	3975	1660	1295	1335	1200	648
AWSN-43D-154M		395	52							682
AWSN-43E-163M		493	64							718
AWSN-44C-181M	4	395	52	4"	5175	1660	1295	1335	1200	854
AWSN-44D-205M		526	69							900
AWSN-44E-217M		658	87							947

## AWSB series - Ø 800 mm fans - low noise fans

Type	Number of fans	Surface m <sup>2</sup>	Internal volume dm <sup>3</sup>	Connection Ø	A mm	B mm	C mm	D mm	E mm	Weight kg
AWSB-41C-035M	1	99	13	2"	1575	1660	1295	1335	1200	266
AWSB-41D-039M		132	17							278
AWSB-41E-040M		164	21							289
AWSB-42C-070M	2	197	26	3"	2775	1660	1295	1335	1200	461
AWSB-42D-077M		263	35							484
AWSB-42E-081M		329	43							508
AWSB-43C-106M	3	296	39	3"	3975	1660	1295	1335	1200	632
AWSB-43D-117M		395	52							667
AWSB-43E-122M		493	64							702
AWSB-44C-140M	4	395	52	4"	5175	1660	1295	1335	1200	833
AWSB-44D-155M		526	69							880
AWSB-44E-162M		658	87							927

AWSN series - Ø 910 mm fans - standard version

Type	Number of fans	Surface m <sup>2</sup>	Internal volume dm <sup>3</sup>	Connection Ø	A mm	B mm	C mm	D mm	E mm	Weight kg
AWSN-51C-71L	1	180	24	2"	2175	1768	1747	1588	1260	404
AWSN-51D-81L		241	32							425
AWSN-51F-90L		362	48							470
AWSN-52C-142L	2	362	48	2 1/2"	3975	1768	1747	1588	1260	664
AWSN-52D-162L		482	63							708
AWSN-52F-181L		724	95							795
AWSN-53C-221L	3	543	71	3"	5775	1768	1747	1588	1260	960
AWSN-53D-251L		724	95							1024
AWSN-53F-279L		1086	143							1152
AWSN-54C-262L	4	817	94	4"	7575	1768	1747	1588	1260	1255
AWSN-54D-308L		1089	125							1335
AWSN-54F-365L		1634	188							1494
AWSN-55C-333L	5	1021	117	4"	9375	1768	1747	1588	1260	1540
AWSN-55D-391L		1361	156							1640
AWSN-55F-462L		2042	234							1838
AWSN-56F-560L	6	2450	281	4"	11175	1768	1747	1588	1260	2183

## Technical information

AWSN series - Ø 800 mm fans - standard version

Type	~ 400v/50 Hz Connection Δ					~ 400v/50 Hz Connection Y				
	Capacity kW	Mass flow m <sup>3</sup> /h	Pressure drop kPa	Power consumption kW	Sound dB(A)	Capacity kW	Mass flow m <sup>3</sup> /h	Pressure drop kPa	Power consumption kW	Sound dB(A)
AWSN-41C-044M	44	8	23	1,94	47	37	6	16	1,21	42
AWSN-41D-051M	51	9	38		48	41	7	26		43
AWSN-41E-054M	54	9	31		50	43	7	20		44
AWSN-42C-090M	90	16	33	3,88	50	74	13	23	2,42	45
AWSN-42D-102M	102	18	34		51	82	14	23		46
AWSN-42E-108M	108	19	26		53	85	15	17		47
AWSN-43C-135M	135	24	36	5,82	52	111	19	25	3,63	46
AWSN-43D-154M	154	27	43		53	124	22	29		48
AWSN-43E-163M	163	28	37		54	129	22	24		49
AWSN-44C-181M	181	32	42	7,76	53	150	26	30	4,84	48
AWSN-44D-205M	205	36	37		54	165	29	26		49
AWSN-44E-217M	217	38	34		56	171	30	22		50

Room (environment) temperature = 25 °C. Water inlet T = 40 °C. Water outlet T = 35 °C.

**AWSB series - Ø 800 mm fans - low noise fans**

Type	~ 400v/50 Hz Connection Δ					~ 400v/50 Hz Connection Y				
	Capacity	Mass flow	Pressure drop	Power consumption	Sound	Capacity	Mass flow	Pressure drop	Power consumption	Sound
	kW	m³/h	kPa	kW	dB(A)	kW	m³/h	kPa	kW	dB(A)
AWSB-41C-035M	35	6	29	0,83	39	30	5	22	0,50	34
AWSB-41D-039M	39	7	23	0,83	40	32	6	17	0,50	35
AWSB-41E-040M	40	7	18	0,83	41	33	6	13	0,50	36
AWSB-42C-070M	70	12	31	1,66	42	60	10	24	1,00	37
AWSB-42D-077M	77	14	21	1,66	43	65	11	15	1,00	38
AWSB-42E-081M	81	14	15	1,66	44	66	12	11	1,00	39
AWSB-43C-106M	106	18	34	2,94	44	91	16	26	1,50	39
AWSB-43D-117M	117	20	26	2,49	45	98	17	19	1,50	40
AWSB-43E-122M	123	21	22	2,49	46	100	17	15	1,50	41
AWSB-44C-140M	140	24	27	3,32	45	120	21	20	2,00	40
AWSB-44D-155M	155	27	22	3,32	46	130	23	17	2,00	41
AWSB-44E-162M	162	28	20	3,32	47	133	23	14	2,00	42

Room (environment) temperature = 25 °C. Water inlet T = 40 °C. Water outlet T = 35 °C.

**AWSN series - Ø 910 mm fans - standard version**

Type	~ 400v/50 Hz Connection Δ					~ 400v/50 Hz Connection Y				
	Capacity	Mass flow	Pressure drop	Power consumption	Sound	Capacity	Mass flow	Pressure drop	Power consumption	Sound
	kW	m³/h	kPa	kW	dB(A)	kW	m³/h	kPa	kW	dB(A)
AWSN-51C-71L	71	12	20	2,48	49	59	10	14	1,57	43
AWSN-51D-81L	81	14	18		49	66	11	12		43
AWSN-51F-90L	90	16	14		49	72	12	9		44
AWSN-52C-142L	142	25	20	4,96	52	118	21	14	3,14	46
AWSN-52D-162L	162	28	19		52	132	23	13		46
AWSN-52F-181L	181	31	17		52	144	25	11		47
AWSN-53C-221L	221	38	52	7,44	53	184	32	38	4,71	48
AWSN-53D-251L	251	44	43		54	205	35	30		48
AWSN-53F-279L	279	48	32		54	223	39	21		49
AWSN-54C-262L	262	46	61	9,92	55	223	39	46	6,28	49
AWSN-54D-308L	308	53	51		55	259	45	37		49
AWSN-54F-365L	365	63	37		55	299	52	26		49
AWSN-55C-333L	333	58	114	12,4	56	283	49	86	7,85	50
AWSN-55D-391L	391	68	94		56	328	57	69		50
AWSN-55F-462L	462	80	68		56	378	66	47		50
AWSN-56F-560L	560	97	111	14,88	56	457	79	77	9,42	51

Room (environment) temperature = 25 °C. Water inlet T = 40 °C. Water outlet T = 35 °C.