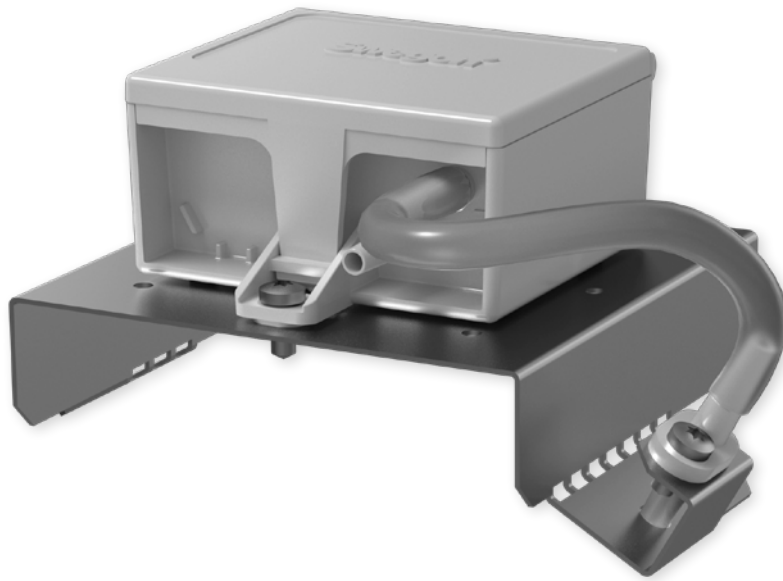


WISE DPS Modbus

Measurement unit for Swegon's WISE System for demand-controlled ventilation



QUICK FACTS

- Measurement of duct pressure
- Communication via Modbus

Technical description

General

- Pressure sensor with mounting plate and duct nipple.
- Designed for demand-controlled ventilation of premises with a varying load.
- Designed for comfort ventilation.
- Moist, cold and aggressive environments must be avoided.
- Can be installed in both supply and extract air systems.

Functions

- Measurement of duct pressure.
- Communication via Modbus.

Materials and surface treatment

- All sheet-metal parts are galvanized sheet steel (Z275).
- The pressure sensor casing is made of ABS plastic.

Project design / Typical room

See the separate documentation "WISE System Guide", which is available for download via www.swegon.com.

Maintenance

The product does not require any maintenance/service, except for any cleaning when necessary. See the separate Instructions for Use, available on www.swegon.com.

Environment

The Building Materials Declaration is available from www.swegon.com.

Technical data

Static pressure sensor:	0 - 300 Pa
IP class:	IP54
Corrosivity class:	C3
Ambient temperature	
Operation:	0 – 40°C
Storage:	-20 – +70°C
RH:	10 - 95% (non condensing)
CE marking:	2004/108/EC (EMC) 2011/65/EU (RoHS)

Electrical data

Power supply:	Fed via WISE CU
Cable rating, connector:	RJ12

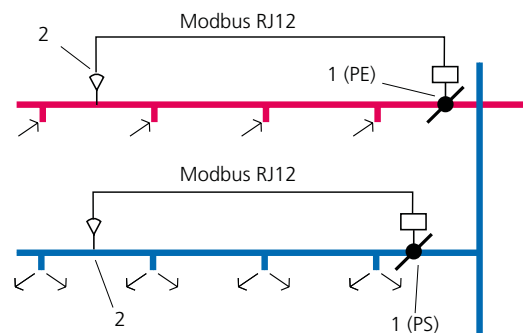
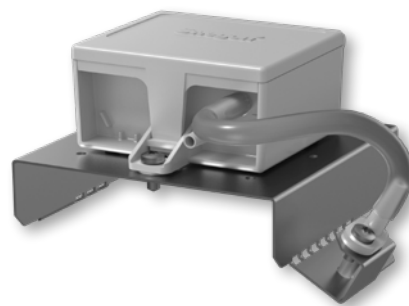


Figure 1. Constant pressure regulation, recommended installation 2/3 out in duct, max 100m.

- 1: WISE Damper
2: WISE DPS Modbus

Dimensions & weight

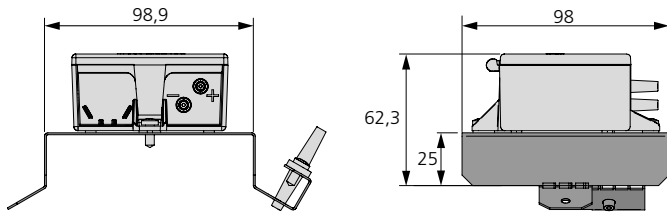


Figure 2. Dimensions, WISE DPS Modbus.

Weight (kg)
0.22

Specification

Product

Duct pressure sensors

WISE DPS Modbus a

Version:

Specification text

Example of a specification text according to VVS AMA.

UBC.13 Meter for pressure, duct mounted

Swegon's pressure sensor of the type WISE DPS Modbus with the following functions:

- Modbus communications to the sensor for presentation of the pressure.
- Mounting plate for simple installation on the ventilation duct.
- Must be installed with a minimum straight duct section before the sensor as stated in relevant catalogue data, designed for temperatures between 0–40°C.

Type: WISE DPS Modbus a xx items

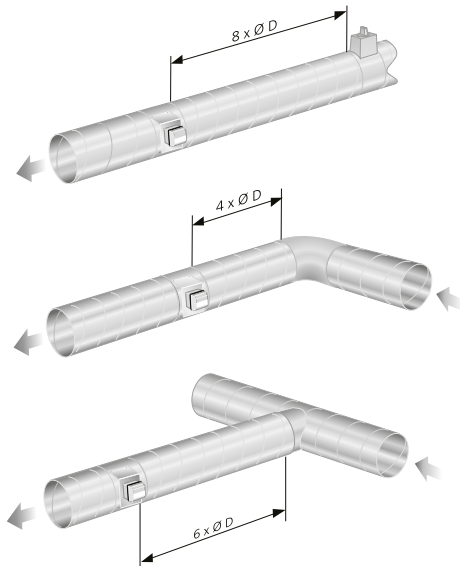


Figure 3. Straight section requirement before WISE DPS Modbus.