

# JD LONG

JET DIFFUSER LONG PIPE



## VARIANTS

JD110, JD120, JD130,  
JD110P, JD120P, JD130P

The jet diffusers, type JD, are especially developed for large and high areas such as concert halls, theaters, galleries, airports, shopping centres, industrial plants,... Through their aerodynamic design they ensure a reduced noise level at high outlet velocities and establish a long throw. The jet is adjustable over 360°. With different supply air temperatures (cooling or heating) the jet can be oriented +30° upwards or -30° downwards.

Adjustable +30°/-30° (cooling/heating)

Rotates 360°

High induction level

Low noise level



ADJUSTABLE



ROUND



WALL



CEILING



LONG THROW



SUPPLY

## TECHNICAL INFORMATION

APPLICATION	Type	Supply
	Direction	Adjustable +30° up and -30° down, 360° swiveling
CONSTRUCTION	Available diameters	125/160/200/250/315/400mm
	Volume control	Disk
MATERIAL	Standard material	Painted aluminium
	Wall flange	Painted steel
	Standard finishing	Powder coating RAL9010
	Product finishing options	Powder coating RAL of choice
MOUNTING	Mounting options	Visible screw fixing or direct mounting on circular duct

## EFFECTIVE AIR DISCHARGE AREA

A <sub>e</sub> [m <sup>2</sup> ] Supply					
ØN [mm]					
125	160	200	250	315	400
0.0030	0.0053	0.0088	0.0145	0.0228	0.0363

QUICK SELECTION

Supply Q <sub>v</sub> [m <sup>3</sup> /h]		ØN [mm]					
		125	160	200	250	315	400
50	L <sub>r,0,20</sub> [m]	8	6	-	-	-	-
	ΔP <sub>tot</sub>	11	5	-	-	-	-
	L <sub>w</sub> [dB(A)]	<20	<20	-	-	-	-
100	L <sub>r,0,20</sub> [m]	16	12	9	-	-	-
	ΔP <sub>tot</sub>	46	18	2	-	-	-
	L <sub>w</sub> [dB(A)]	<20	<20	<20	-	-	-
150	L <sub>r,0,20</sub> [m]	23	18	14	11	-	-
	ΔP <sub>tot</sub>	103	41	14	5	-	-
	L <sub>w</sub> [dB(A)]	27	<20	<20	<20	-	-
200	L <sub>r,0,20</sub> [m]	-	24	18	15	12	-
	ΔP <sub>tot</sub>	-	72	24	9	3	-
	L <sub>w</sub> [dB(A)]	-	<20	<20	<20	<20	-
250	L <sub>T0,20</sub> [m]	-	30	23	18	15	12
	ΔP <sub>tot</sub>	-	113	38	14	5	2
	L <sub>w</sub> [dB(A)]	-	<20	<20	<20	<20	<20
400	L <sub>r,0,20</sub> [m]	-	-	36	29	23	18
	ΔP <sub>tot</sub>	-	-	97	36	12	5
	L <sub>w</sub> [dB(A)]	-	-	21	<20	<20	<20
500	L <sub>r,0,20</sub> [m]	-	-	46	36	29	23
	ΔP <sub>tot</sub>	-	-	151	57	19	8
	L <sub>w</sub> [dB(A)]	-	-	27	<20	<20	<20
700	L <sub>r,0,20</sub> [m]	-	-	-	50	40	32
	ΔP <sub>tot</sub>	-	-	-	111	38	15
	L <sub>w</sub> [dB(A)]	-	-	-	27	21	<20
900	L <sub>r,0,20</sub> [m]	-	-	-	64	51	41
	ΔP <sub>tot</sub>	-	-	-	184	63	25
	L <sub>w</sub> [dB(A)]	-	-	-	35	28	<20
1200	L <sub>r,0,20</sub> [m]	-	-	-	-	68	54
	ΔP <sub>tot</sub>	-	-	-	-	112	44
	L <sub>w</sub> [dB(A)]	-	-	-	-	36	<20
1300	L <sub>r,0,20</sub> [m]	-	-	-	-	74	59
	ΔP <sub>tot</sub>	-	-	-	-	131	52
	L <sub>w</sub> [dB(A)]	-	-	-	-	38	22
2000	L <sub>r,0,20</sub> [m]	-	-	-	-	-	90
	ΔP <sub>tot</sub>	-	-	-	-	-	122
	L <sub>w</sub> [dB(A)]	-	-	-	-	-	34

PRODUCT KEY

JET DIFFUSER LONG PIPE

J	D	1	2	0	-	F	--	0	2	0	0
---	---	---	---	---	---	---	----	---	---	---	---

Nominal diameter N (mm):  
125, 160, 200, 250, 315, 400

F: Coated

0: Without damper  
1: With damper

1: Wall mounting, without connection collar  
2: Wall mounting, with connection collar  
3: Direct mounting on circular duct, without wall flange

JET DIFFUSER LONG PIPE FOR WALL MOUNTING, MOUNTED ON PANEL

J	D	1	2	0	-	F	P2	0	2	0	0
---	---	---	---	---	---	---	----	---	---	---	---

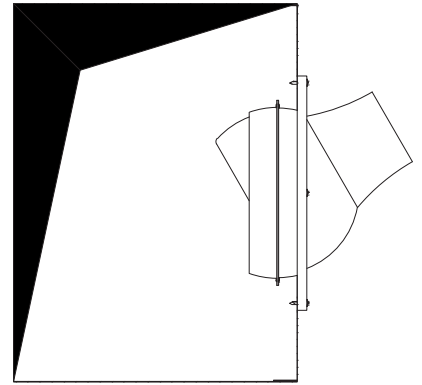
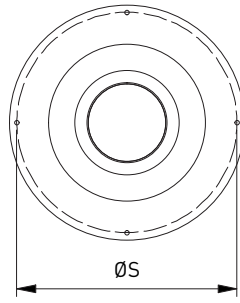
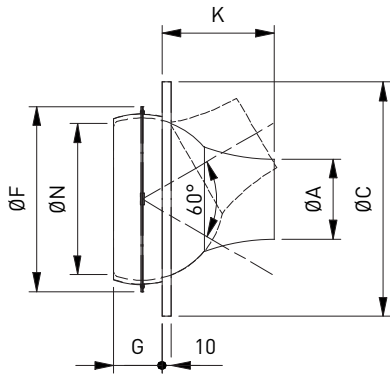
Nominal diameter N (mm):  
125, 160, 200, 250, 315, 400

P2: 2 jets mounted on panel  
P3: 3 jets mounted on panel  
P4: 4 jets mounted on panel  
P5: 5 jets mounted on panel

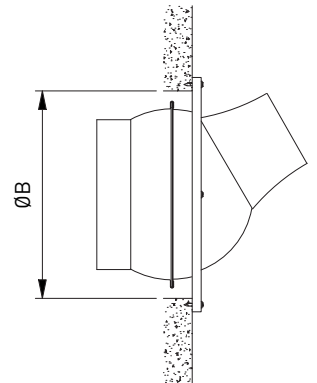
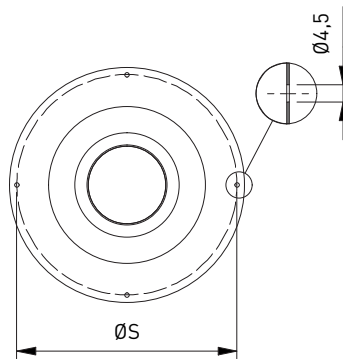
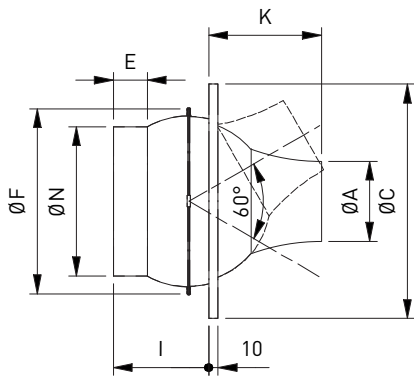
F: Coated

0: Without damper  
1: With damper

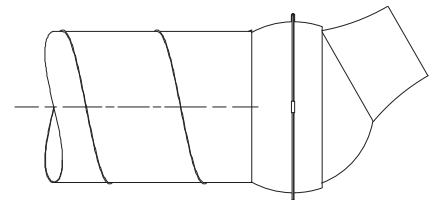
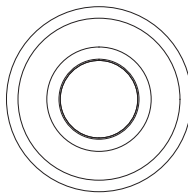
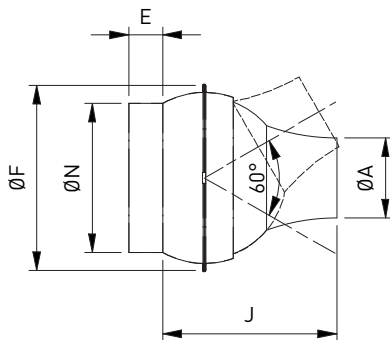
1: Mounted on panel, without connection collar  
2: Mounted on panel, with connection collar



JD120-F--



JD130-F--

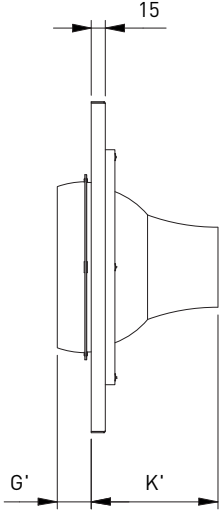
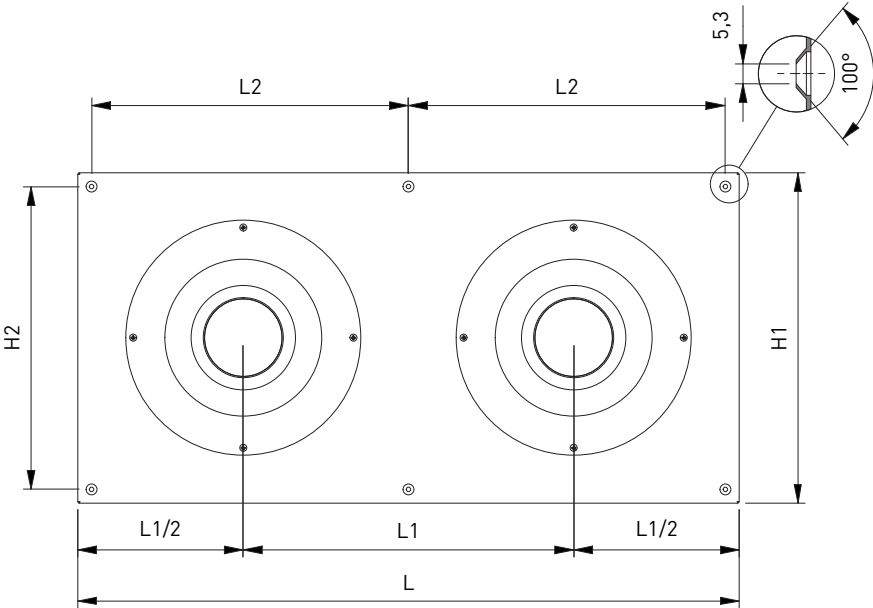


**DIMENSIONS**

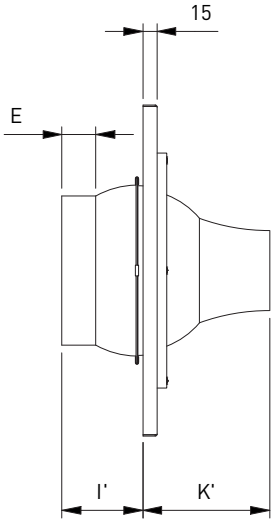
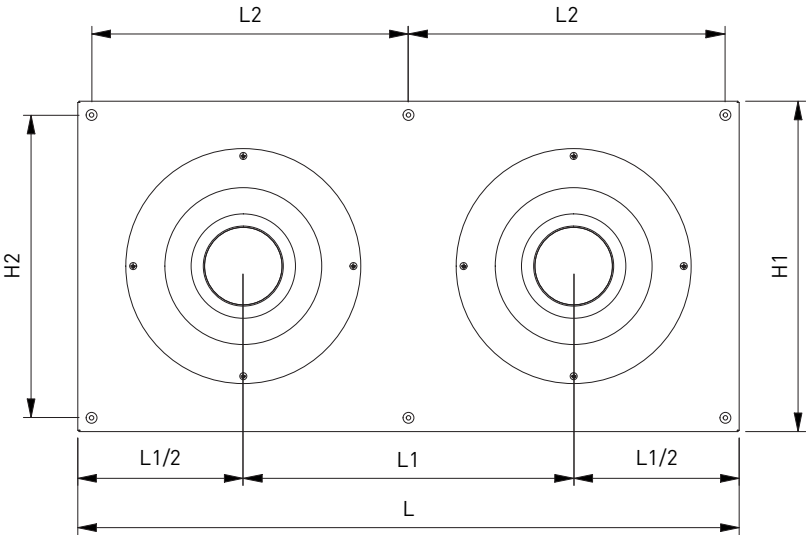
ØN	ØA	ØB	ØC	E	ØF	G	I	J	K	ØS
125	67	172	195	39	158	39	89	145	95	175
160	85	220	248	36	196	51	101	184	119	233
200	110	259	298	39	238	66	116	226	149	270
250	140	309	363	43	288	81	131	277	189	320
315	175	378	452	51	355	101	156	359	254	390
400	220	473	600	61	450	121	189	417	289	570

All dimensions in mm

JD110-FP2



JD120-FP2



DIMENSIONS

ØN	# Jets	E	G'	I'	L	L1	L2	H1	H2	K'
125	2	39	24	74	600	300	285	300	270	110
	3	39	24	74	900	300	290	300	270	110
	4	39	24	74	1200	300	290	300	270	110
	5	39	24	74	1500	300	290	300	270	110
160	2	36	36	86	700	350	335	350	320	134
	3	36	36	86	1050	350	340	350	320	134
	4	36	36	86	1400	350	340	350	320	134
	5	36	36	86	1750	350	340	350	320	134
200	2	39	51	101	800	400	385	400	370	164
	3	39	51	101	1200	400	390	400	370	164
	4	39	51	101	1600	400	390	400	370	164
	5	39	51	101	2000	400	390	400	370	164
250	2	43	66	116	900	450	435	450	420	204
	3	43	66	116	1350	450	440	450	420	204
	4	43	66	116	1800	450	440	450	420	204
	5	43	66	116	2250	450	440	450	420	204
315	2	51	86	141	1040	520	505	520	490	269
	3	51	86	141	1560	520	510	520	490	269
	4	51	86	141	2080	520	510	520	490	269
	5	51	86	141	2600	520	510	520	490	269
400	2	61	106	174	1250	625	610	625	595	304
	3	61	106	174	1875	625	615	625	595	304
	4	61	106	174	2500	625	615	625	595	304

All dimensions in mm

JD131-F--

